

AIR CONDITIONING

2007 Hummer H3

2007 SYSTEM WIRING DIAGRAMS Hummer - H3

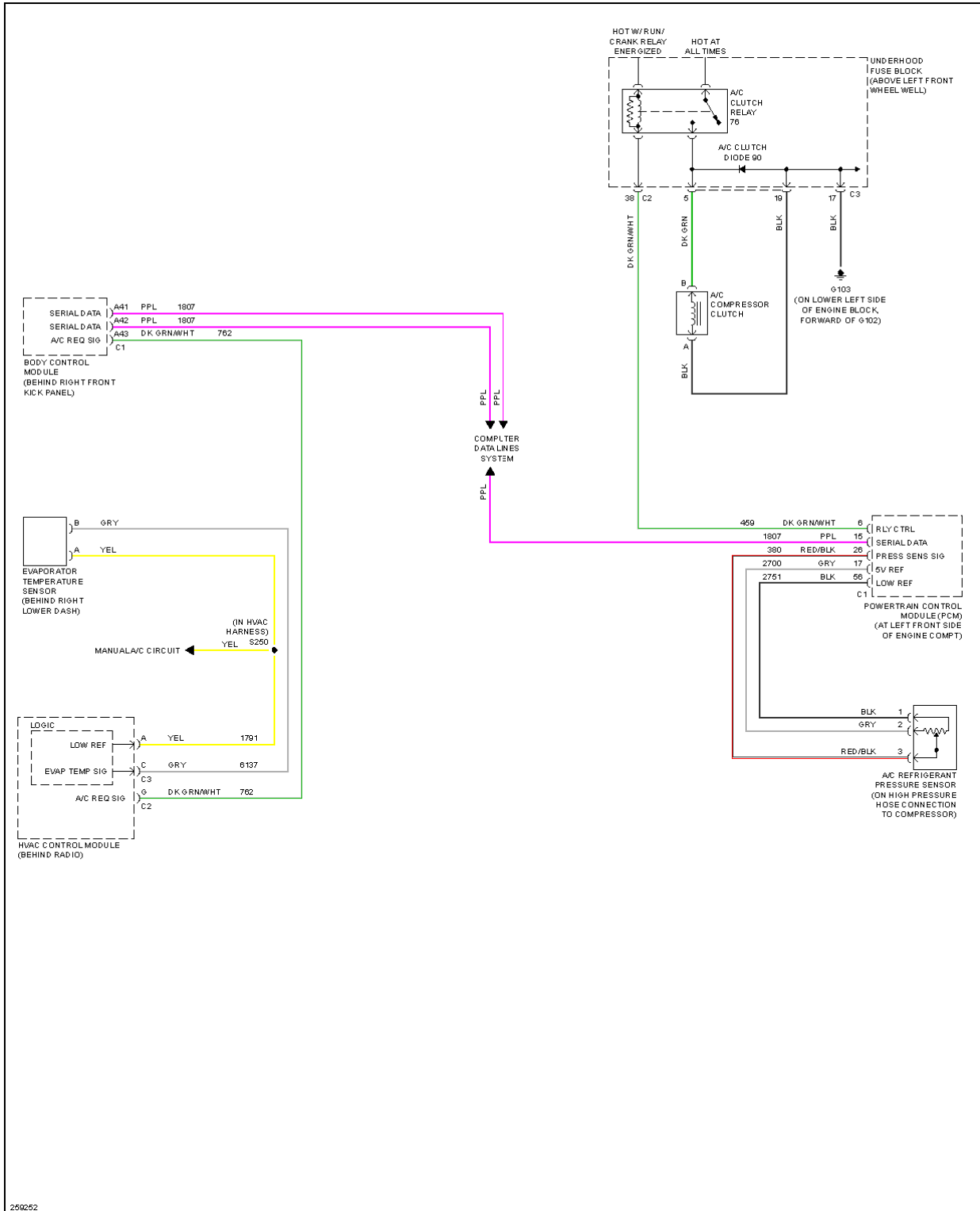


Fig. 1: Compressor Circuit

2007 Hummer H3

2007 SYSTEM WIRING DIAGRAMS Hummer - H3

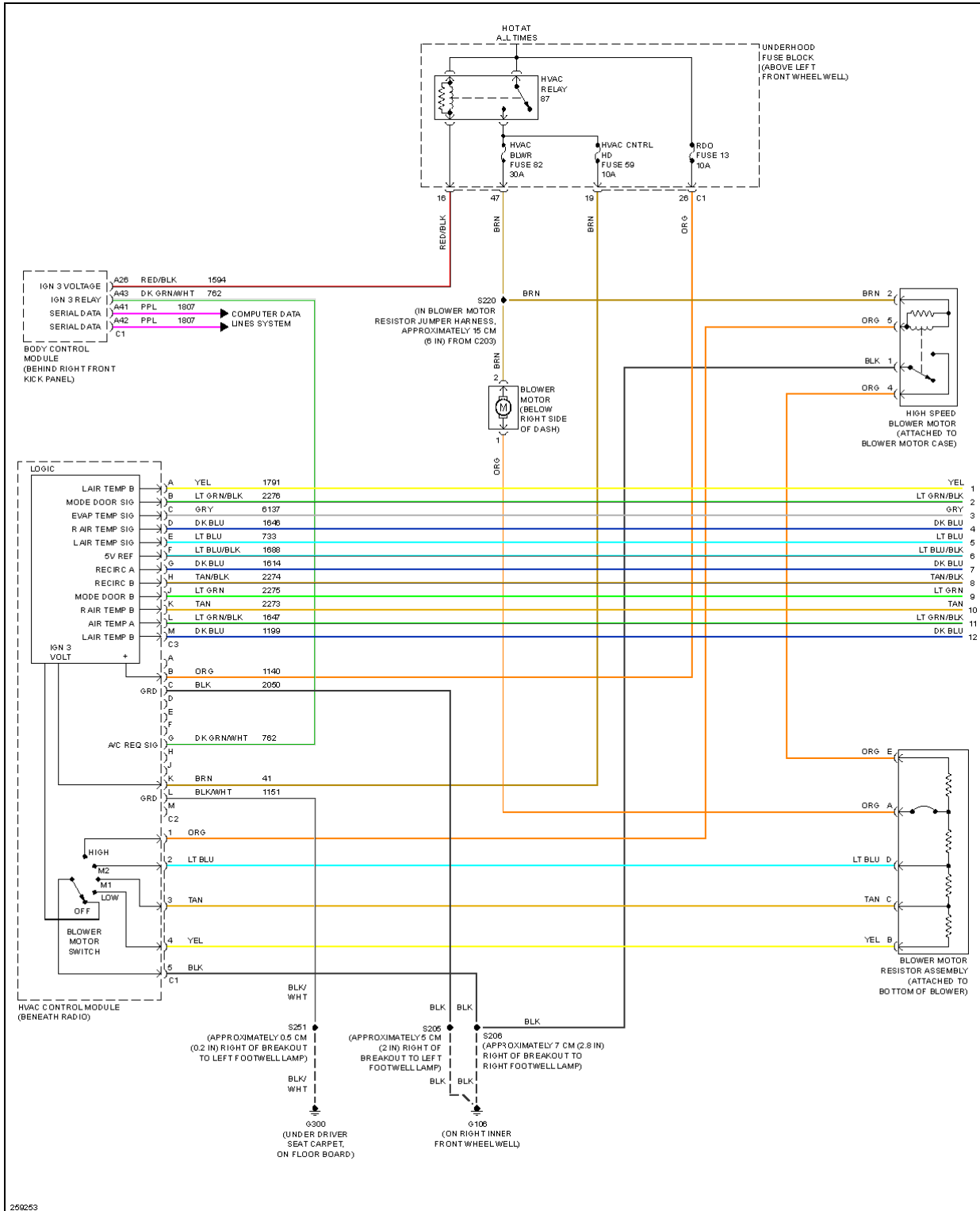


Fig. 2: Manual A/C Circuit (1 of 2)

2007 Hummer H3

2007 SYSTEM WIRING DIAGRAMS Hummer - H3

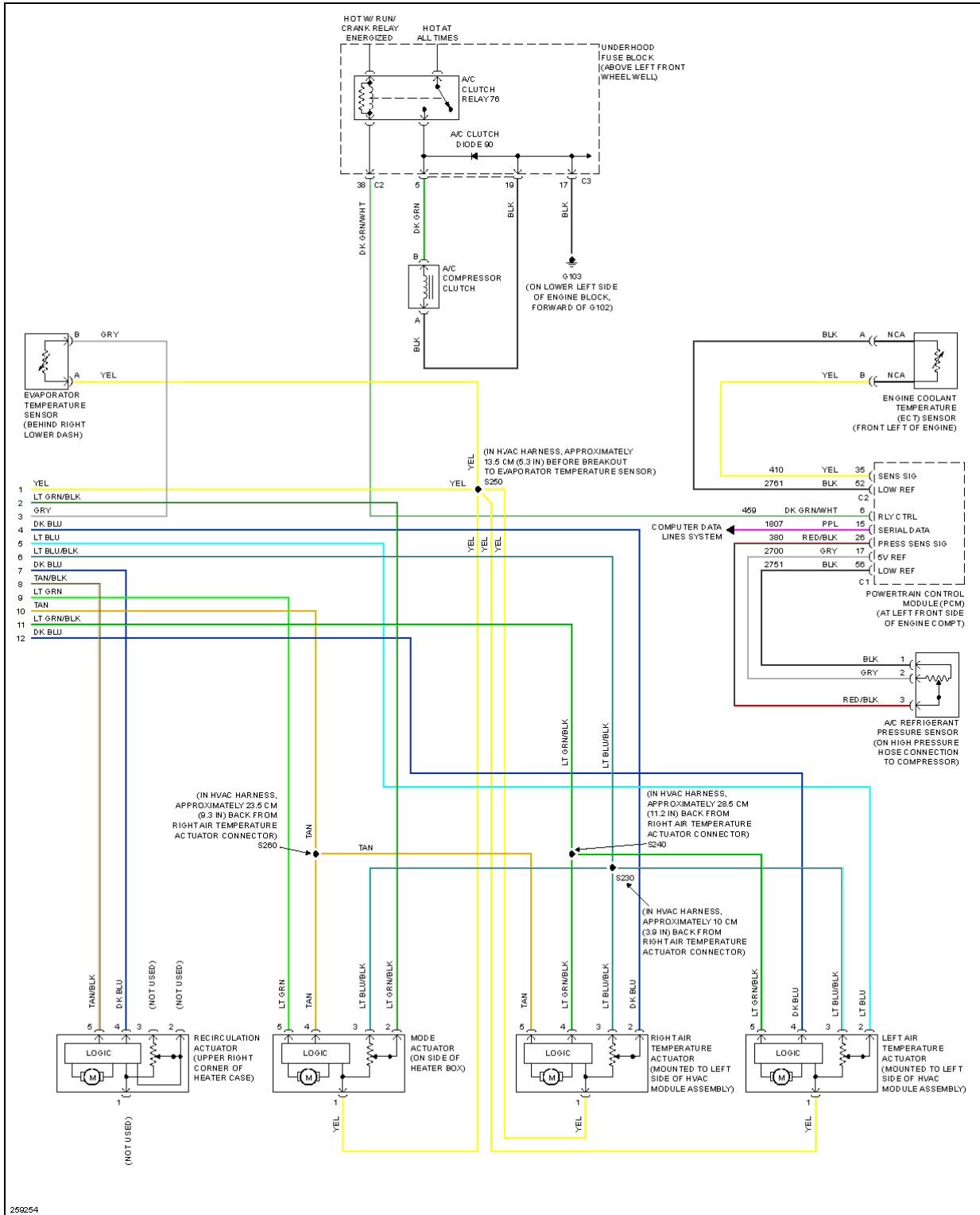


Fig. 3: Manual A/C Circuit (2 of 2)

ANTI-LOCK BRAKES

2007 Hummer H3

2007 SYSTEM WIRING DIAGRAMS Hummer - H3

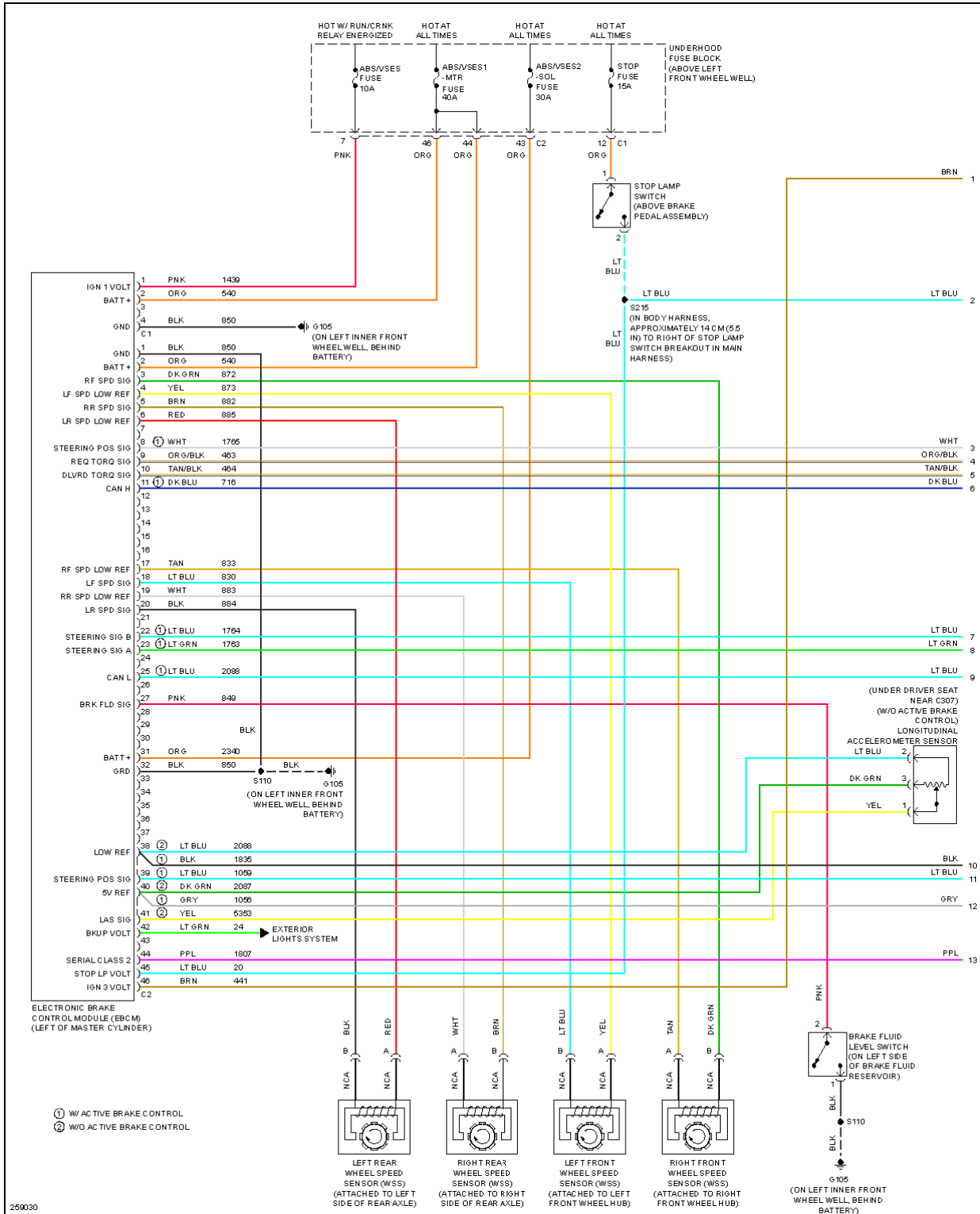


Fig. 4: Anti-lock Brakes Circuit (1 of 2)

Fig. 5: Anti-lock Brakes Circuit (2 of 2)

ANTI-THEFT

2007 Hummer H3

2007 SYSTEM WIRING DIAGRAMS Hummer - H3

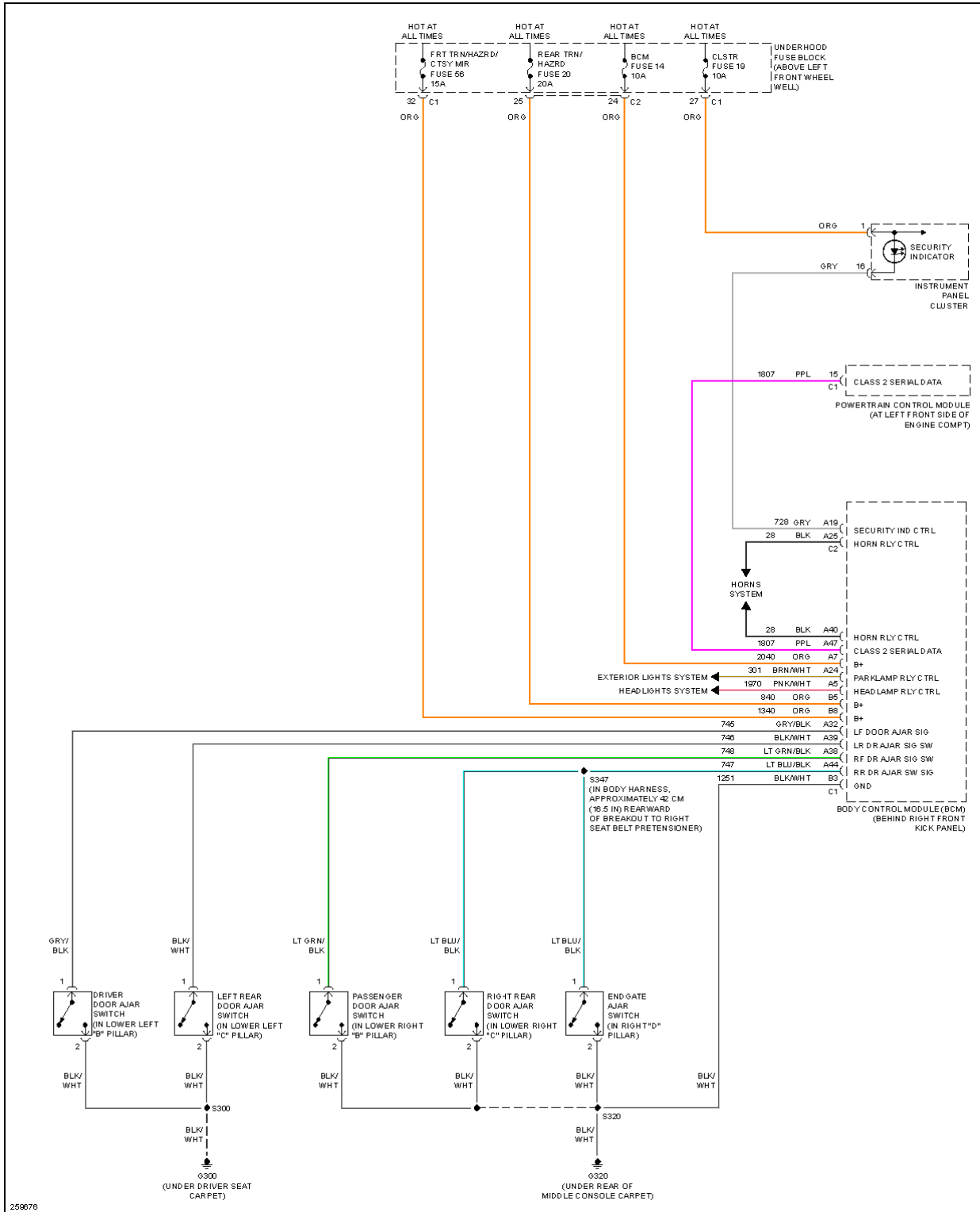


Fig. 6: Forced Entry Circuit

2007 Hummer H3

2007 SYSTEM WIRING DIAGRAMS Hummer - H3

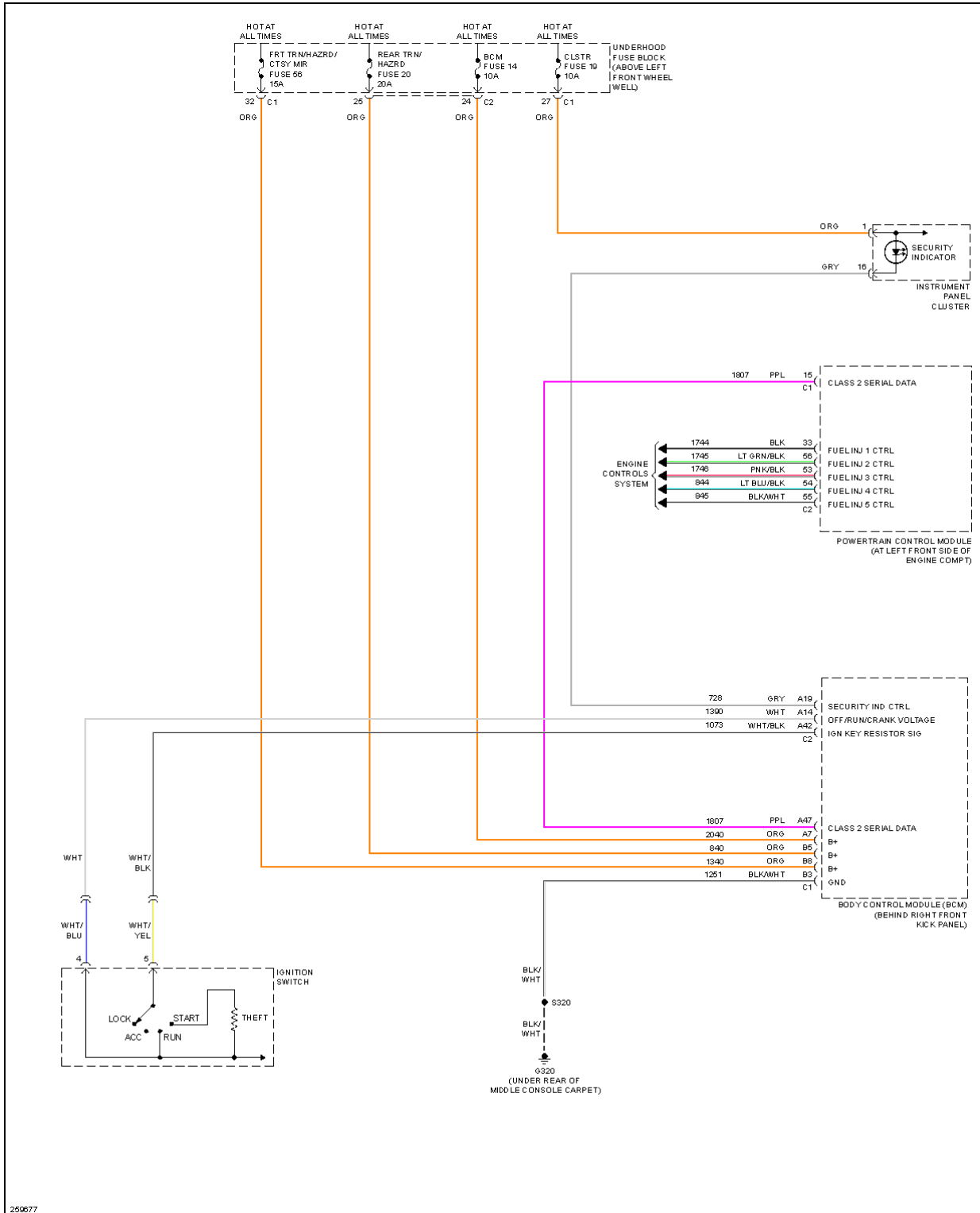


Fig. 7: Immobilizer Circuit

BODY CONTROL MODULES

2007 Hummer H3

2007 SYSTEM WIRING DIAGRAMS Hummer - H3

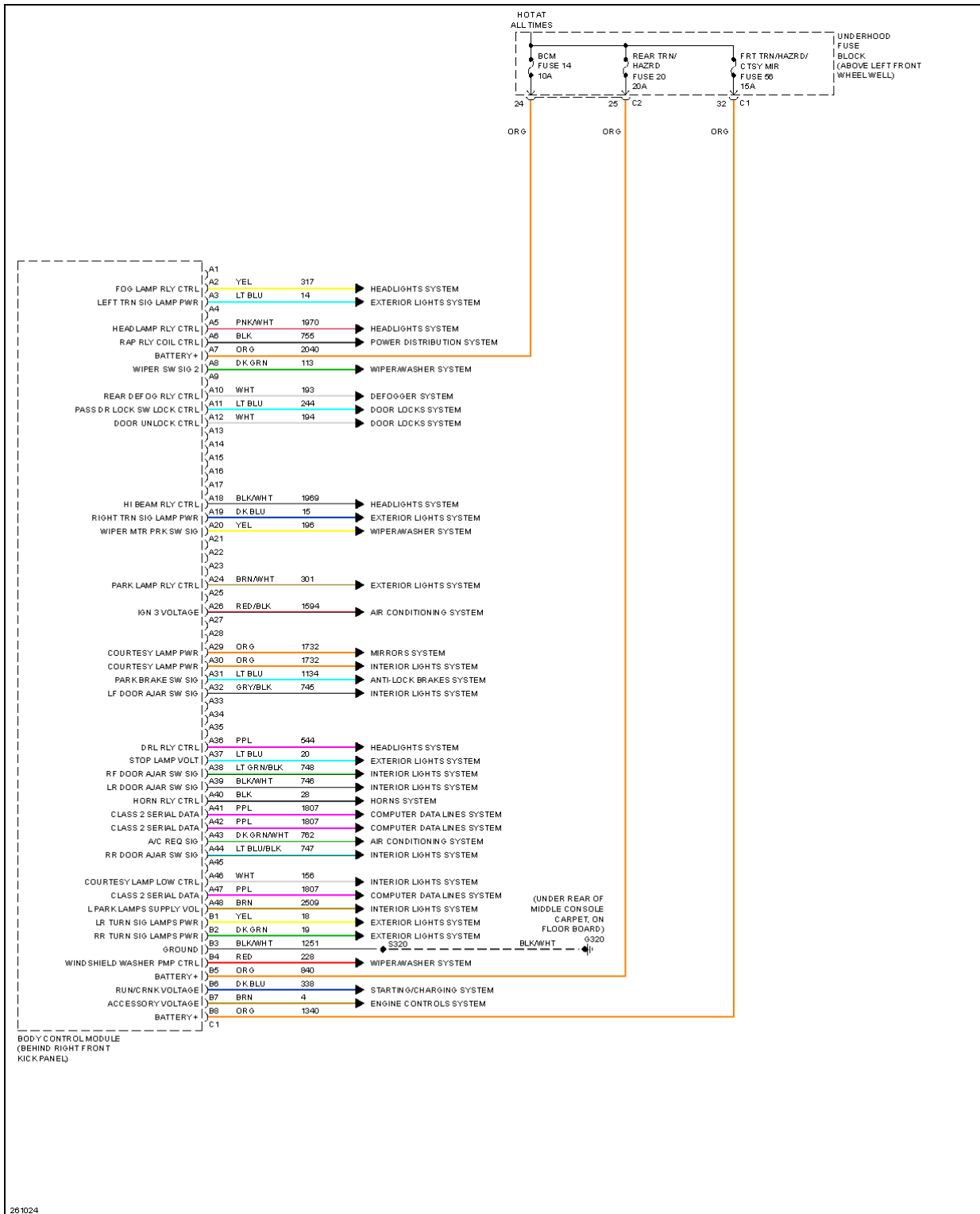


Fig. 8: Body Control Modules Circuit (1 of 2)

2007 Hummer H3

2007 SYSTEM WIRING DIAGRAMS Hummer - H3

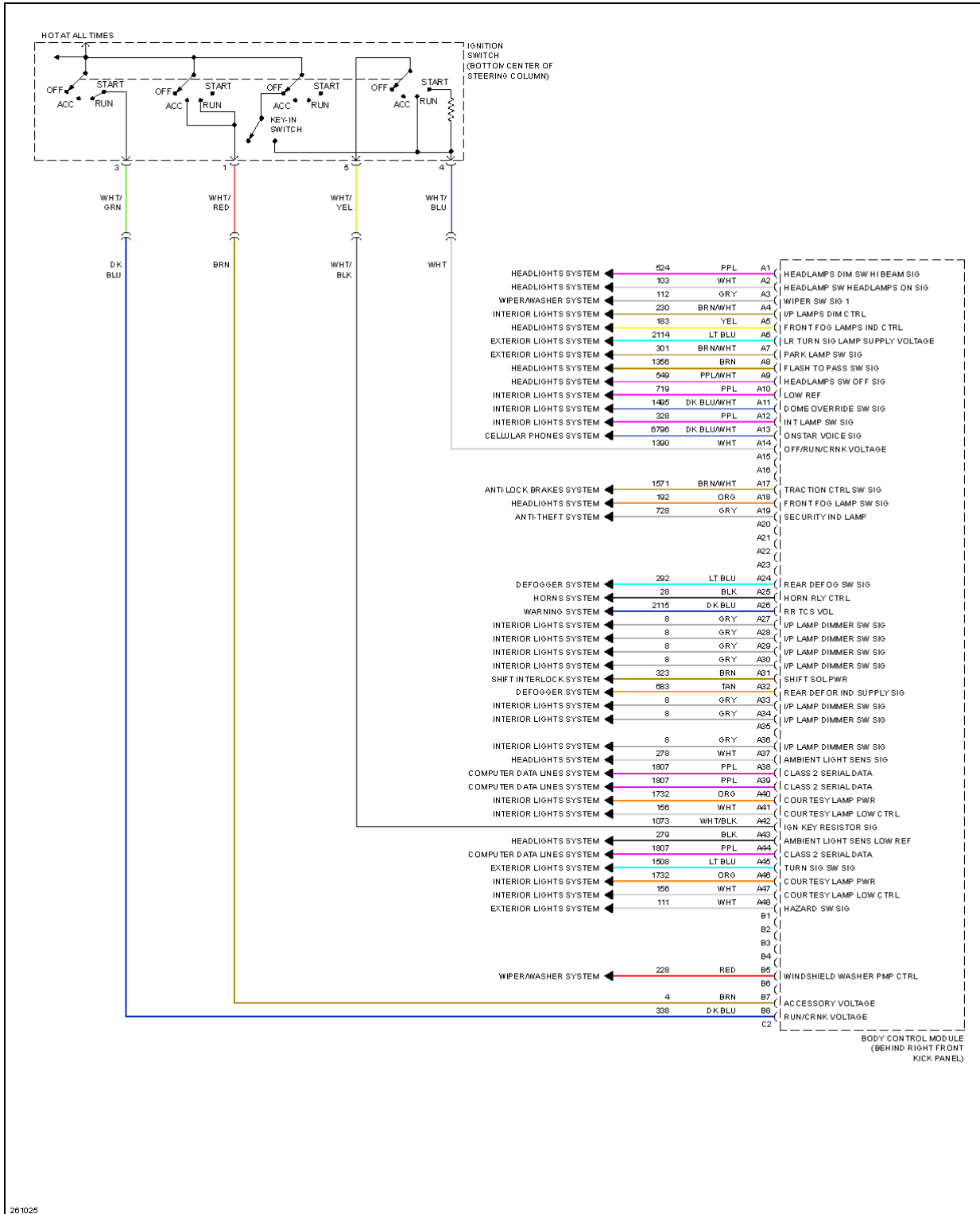


Fig. 9: Body Control Modules Circuit (2 of 2)

COMPUTER DATA LINES

2007 Hummer H3

2007 SYSTEM WIRING DIAGRAMS Hummer - H3

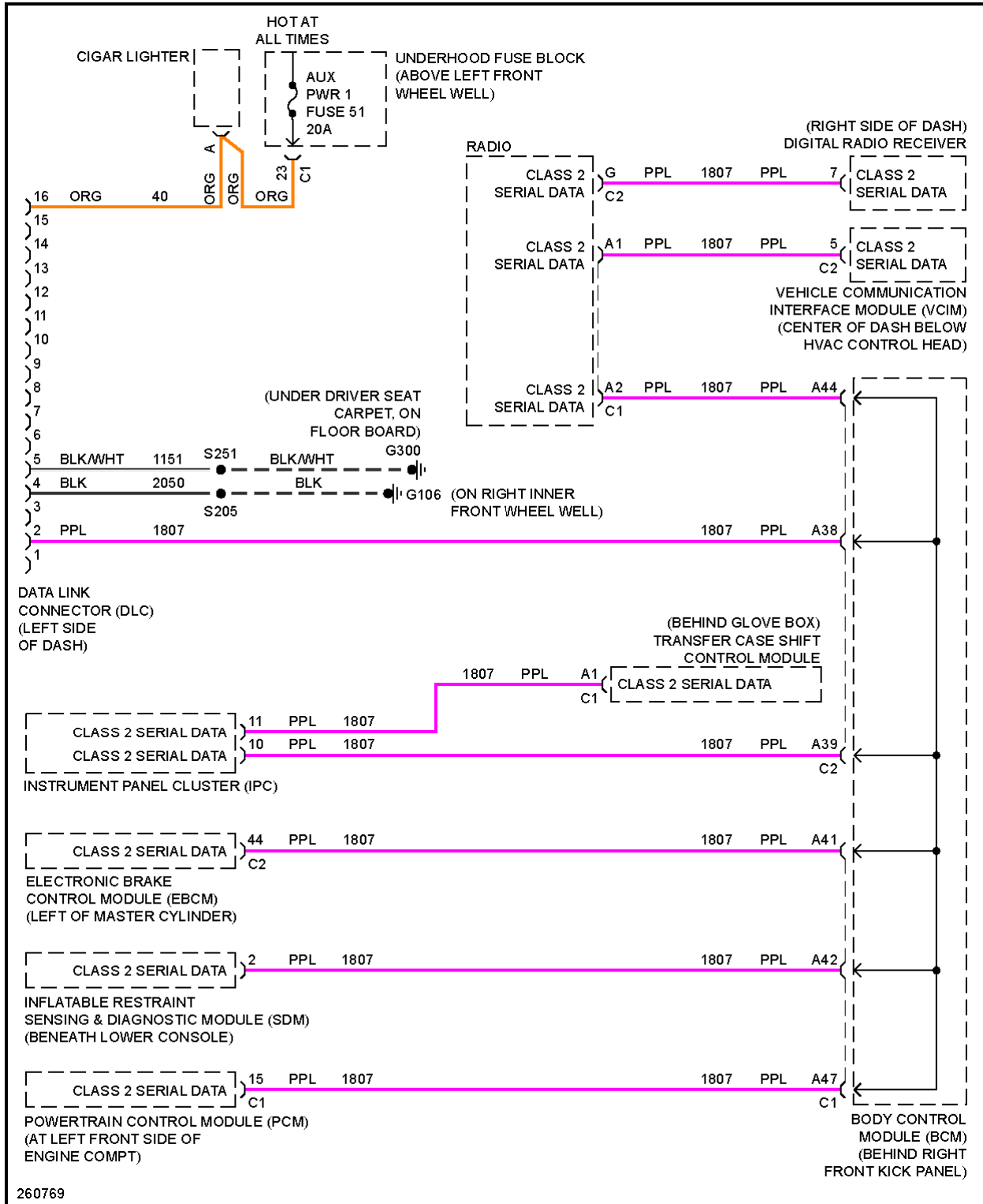


Fig. 10: Computer Data Lines Circuit

CRUISE CONTROL

Fig. 11: Cruise Control Circuit

DEFOGGERS

2007 Hummer H3

2007 SYSTEM WIRING DIAGRAMS Hummer - H3

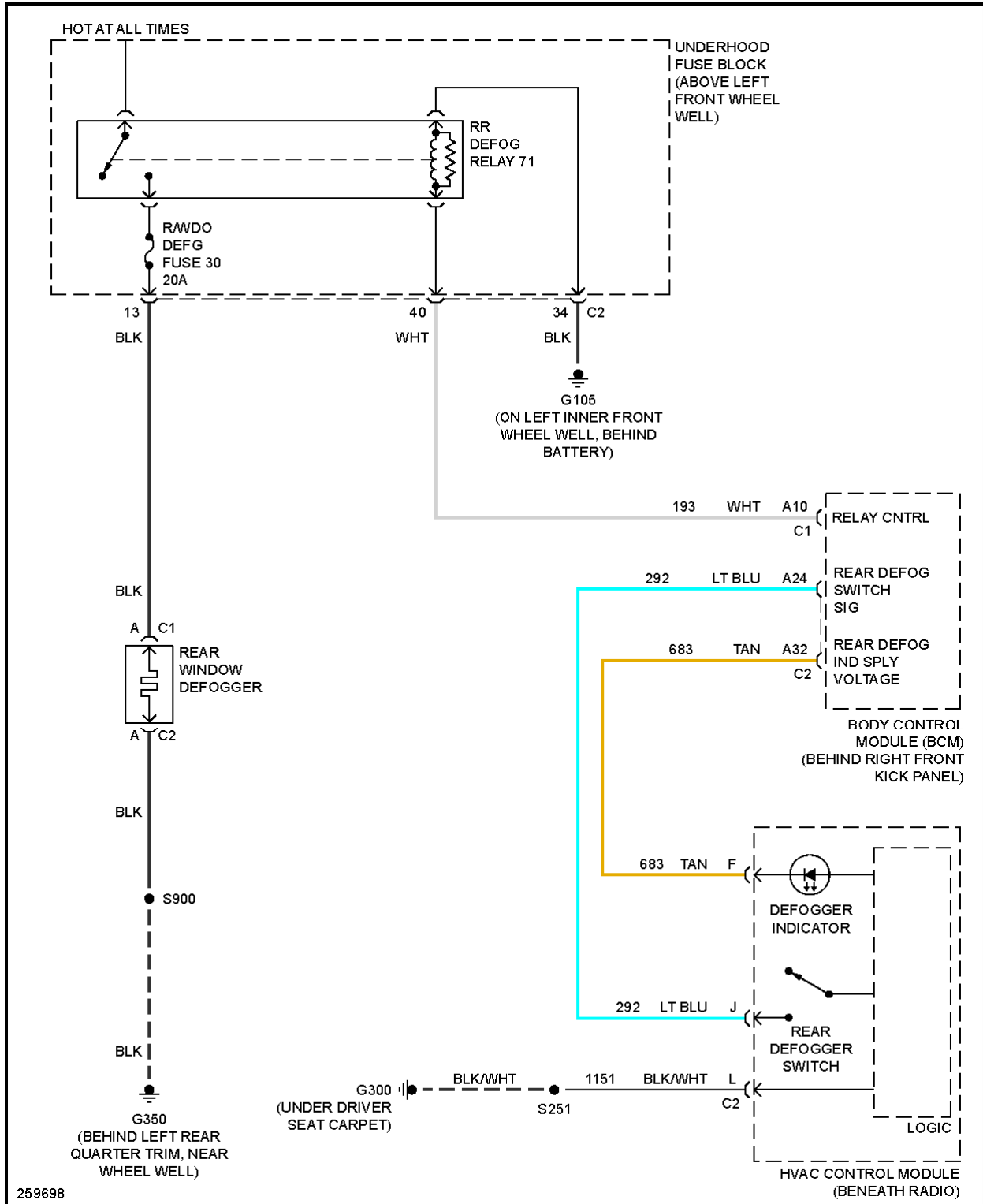


Fig. 12: Defoggers Circuit

ENGINE PERFORMANCE

3.7L VIN E

2007 Hummer H3

2007 SYSTEM WIRING DIAGRAMS Hummer - H3

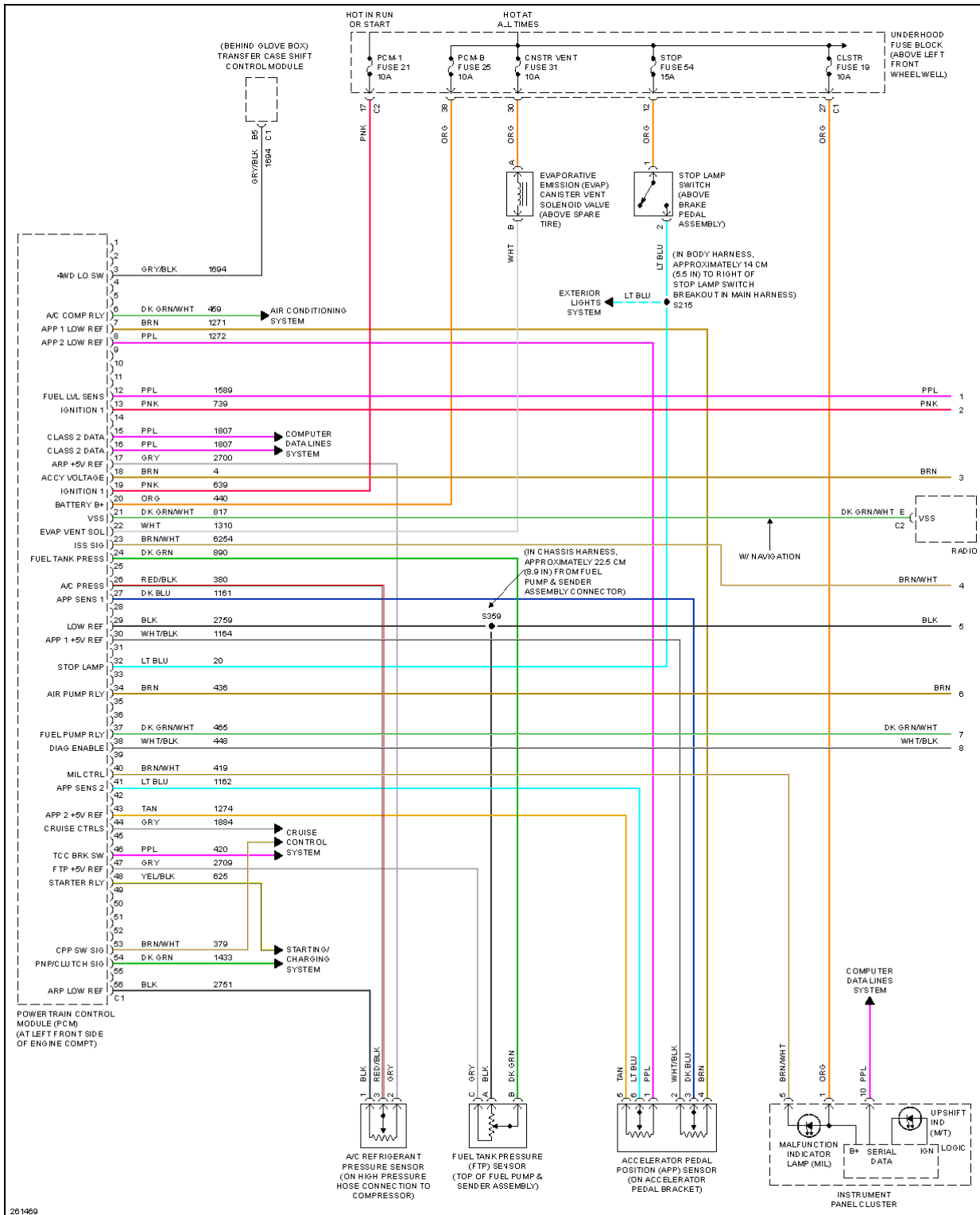


Fig. 13: 3.7L VIN E, Engine Performance Circuit (1 of 5)

2007 Hummer H3

2007 SYSTEM WIRING DIAGRAMS Hummer - H3

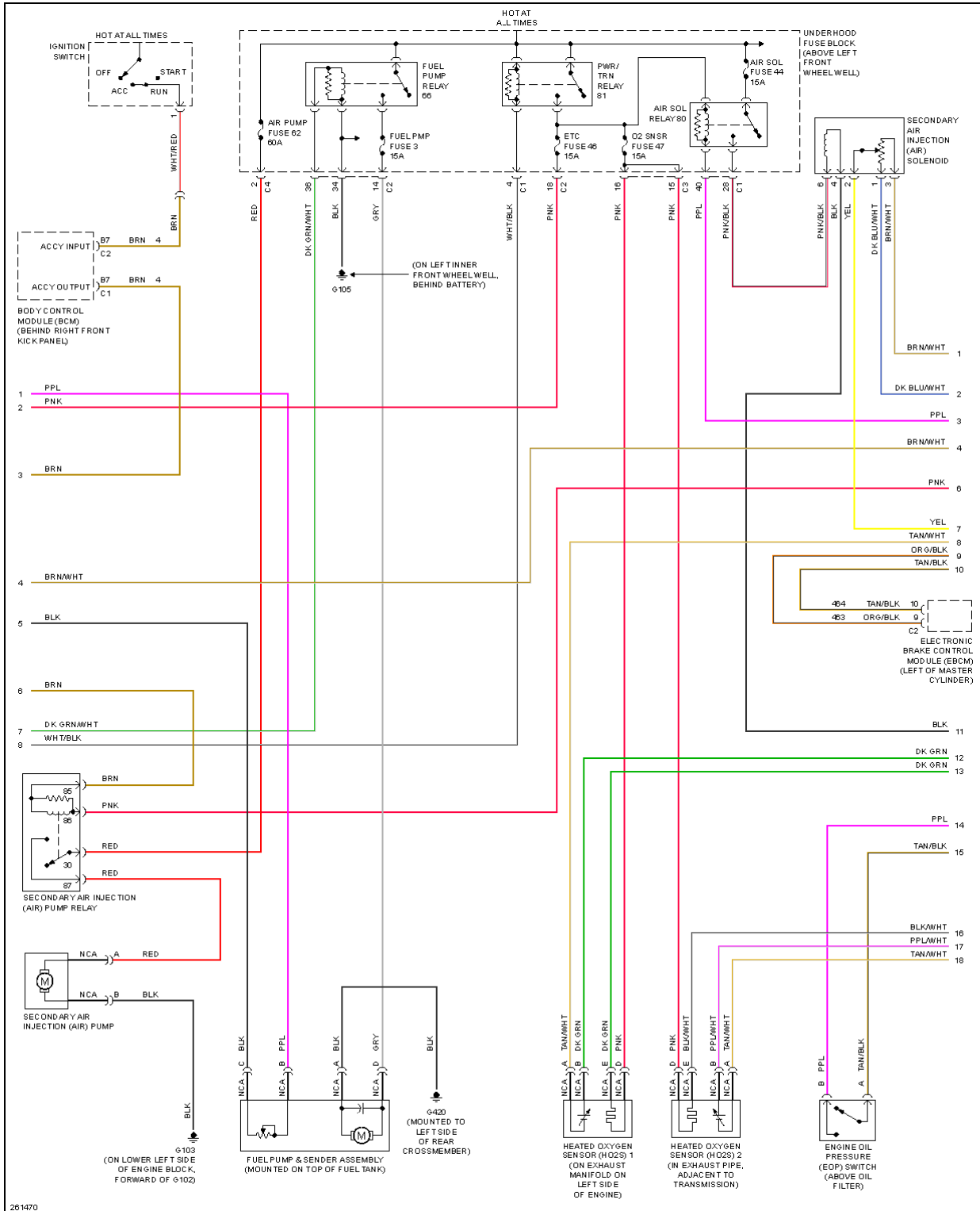


Fig. 14: 3.7L VIN E, Engine Performance Circuit (2 of 5)

Fig. 15: 3.7L VIN E, Engine Performance Circuit (3 of 5)

2007 Hummer H3

2007 SYSTEM WIRING DIAGRAMS Hummer - H3

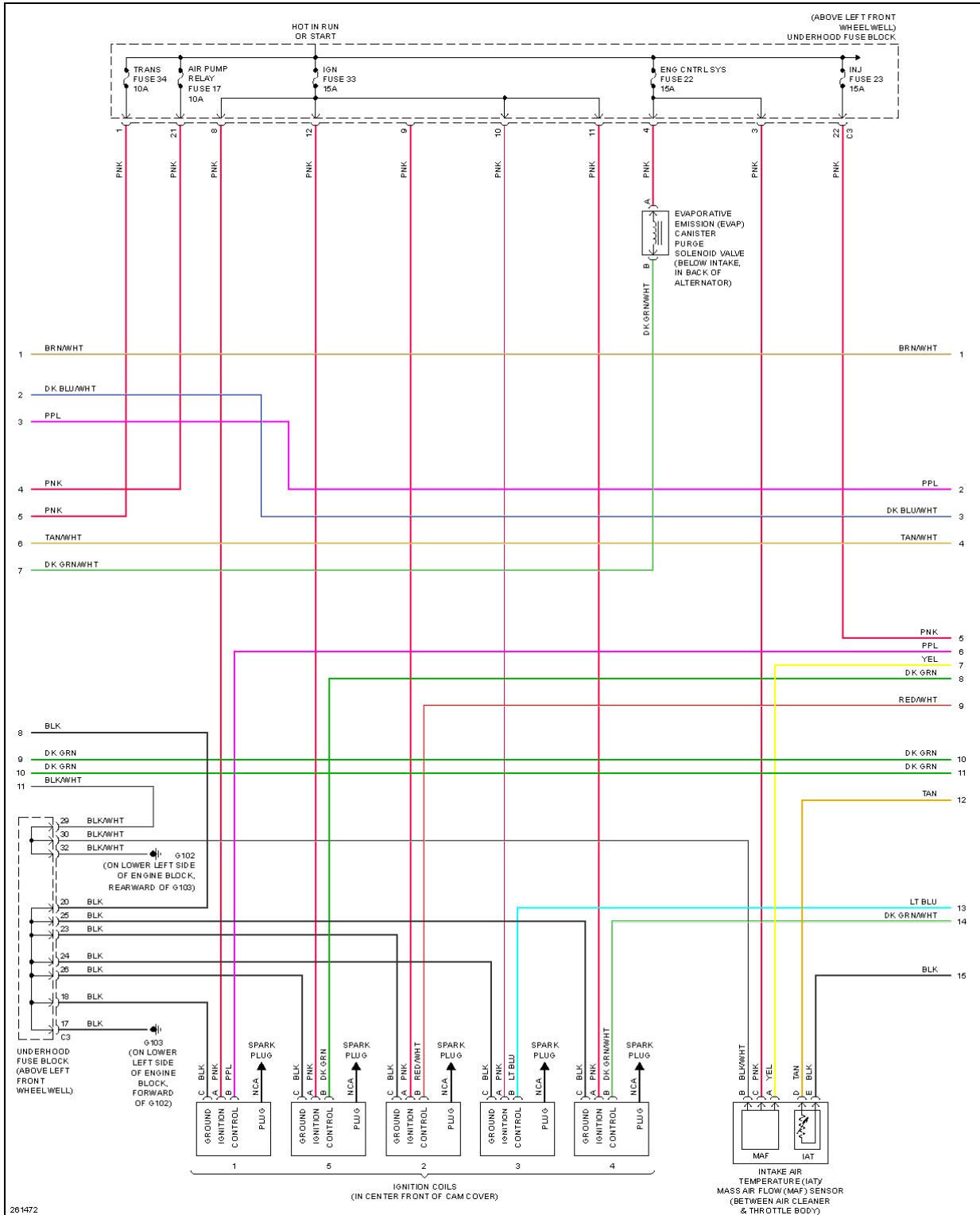


Fig. 16: 3.7L VIN E, Engine Performance Circuit (4 of 5)

Fig. 17: 3.7L VIN E, Engine Performance Circuit (5 of 5)

EXTERIOR LIGHTS

2007 Hummer H3

2007 SYSTEM WIRING DIAGRAMS Hummer - H3

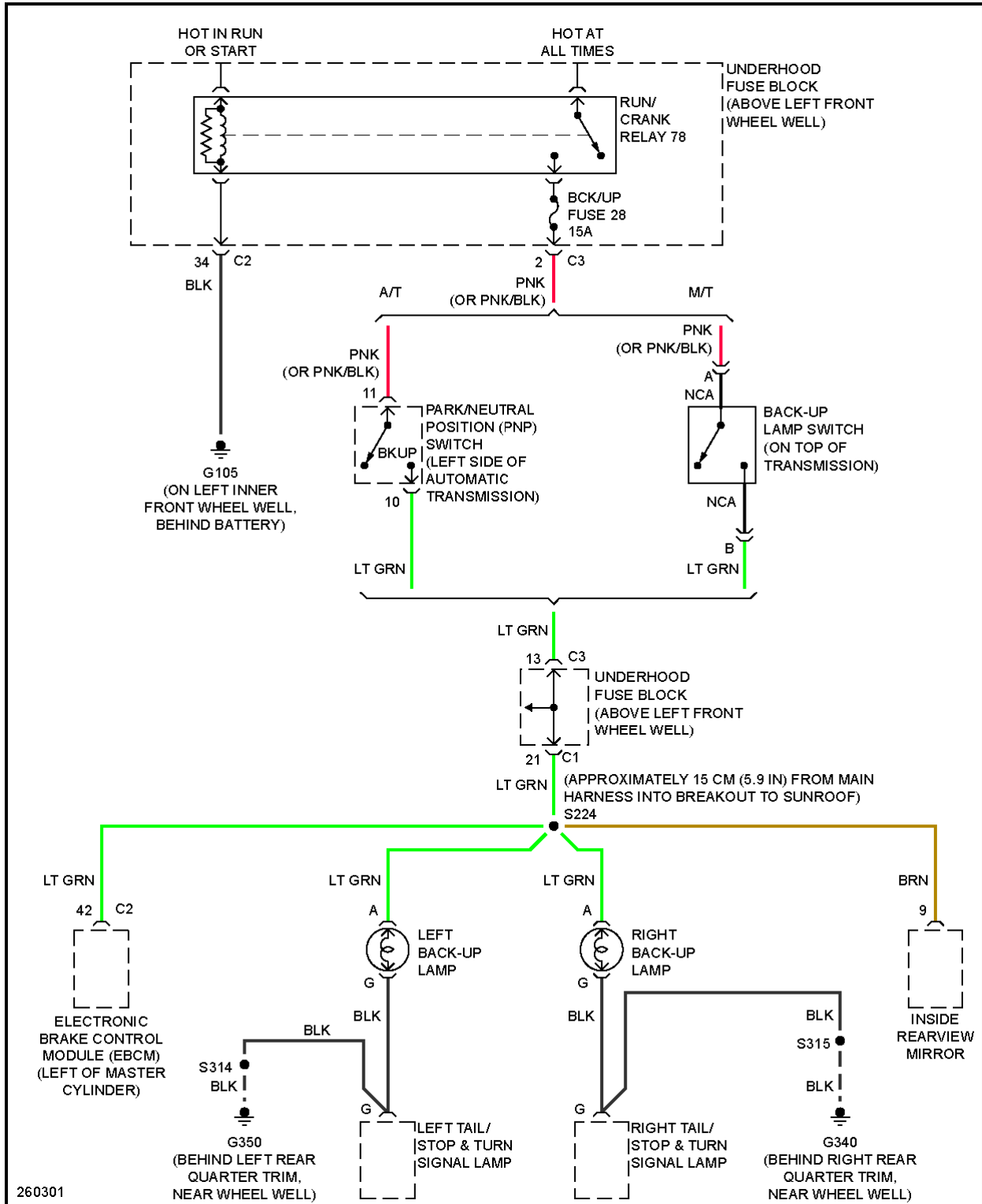


Fig. 18: Back-up Lamps Circuit

2007 Hummer H3

2007 SYSTEM WIRING DIAGRAMS Hummer - H3

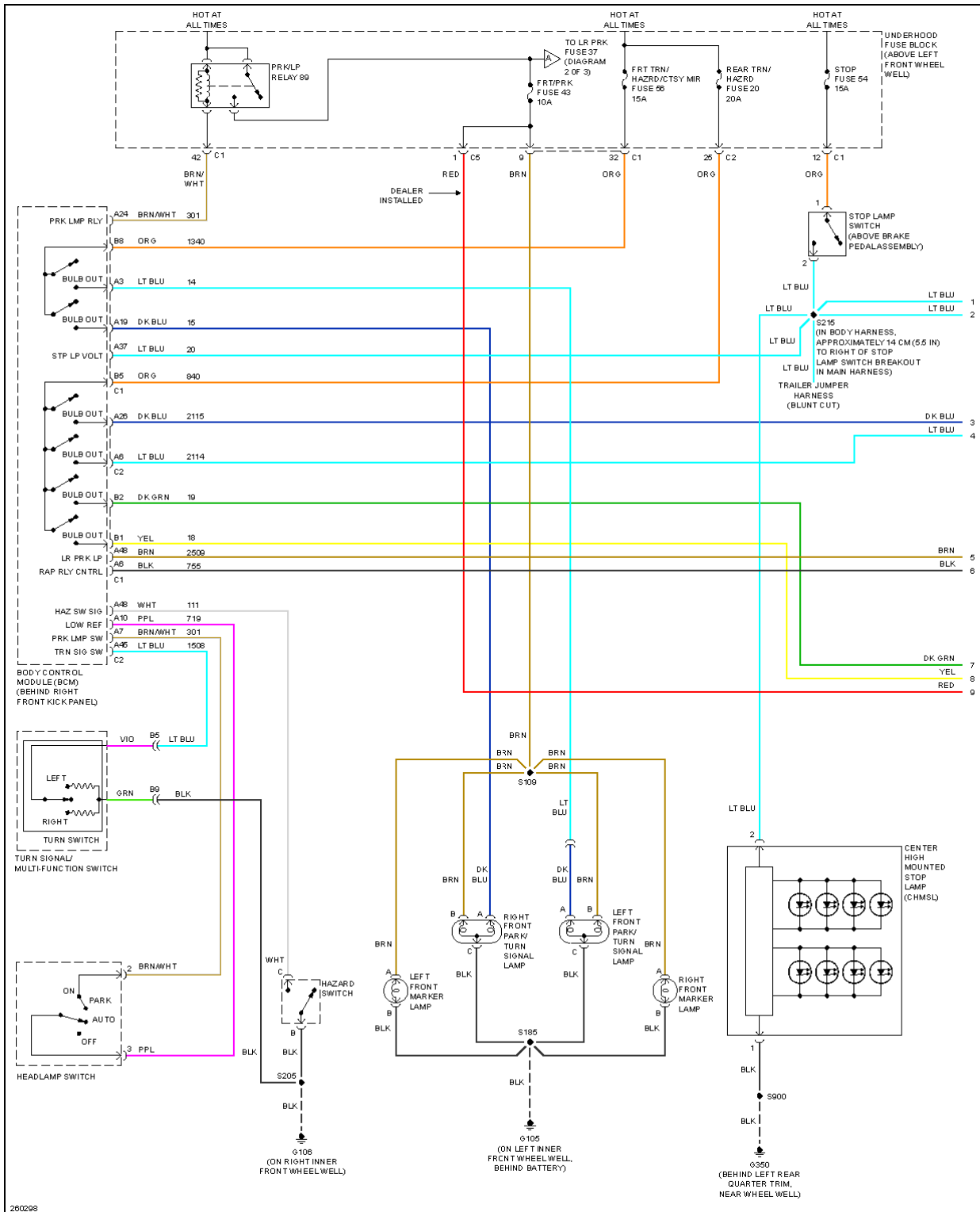


Fig. 19: Exterior Lamps Circuit (1 of 3)

2007 Hummer H3

2007 SYSTEM WIRING DIAGRAMS Hummer - H3

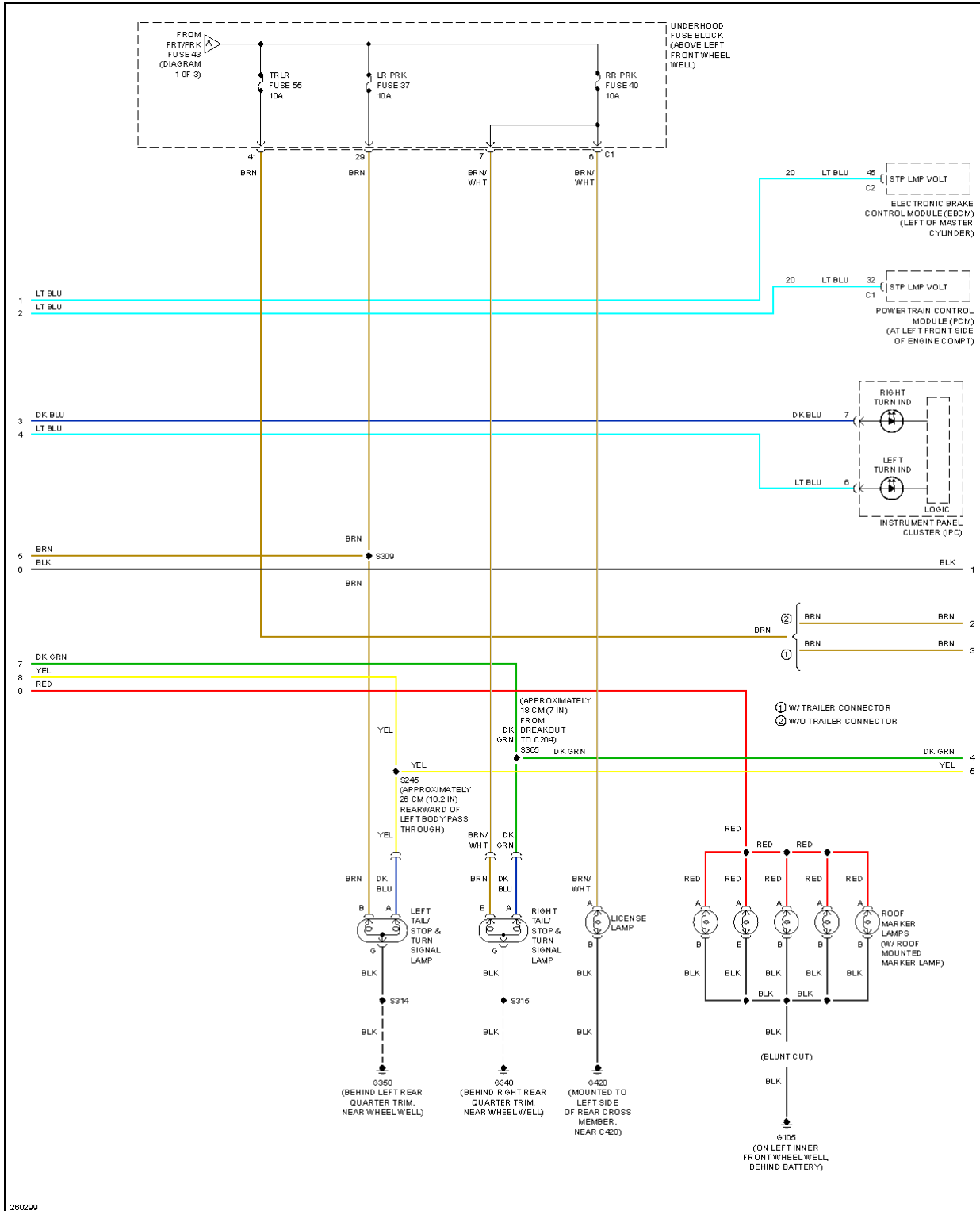


Fig. 20: Exterior Lamps Circuit (2 of 3)

2007 Hummer H3

2007 SYSTEM WIRING DIAGRAMS Hummer - H3

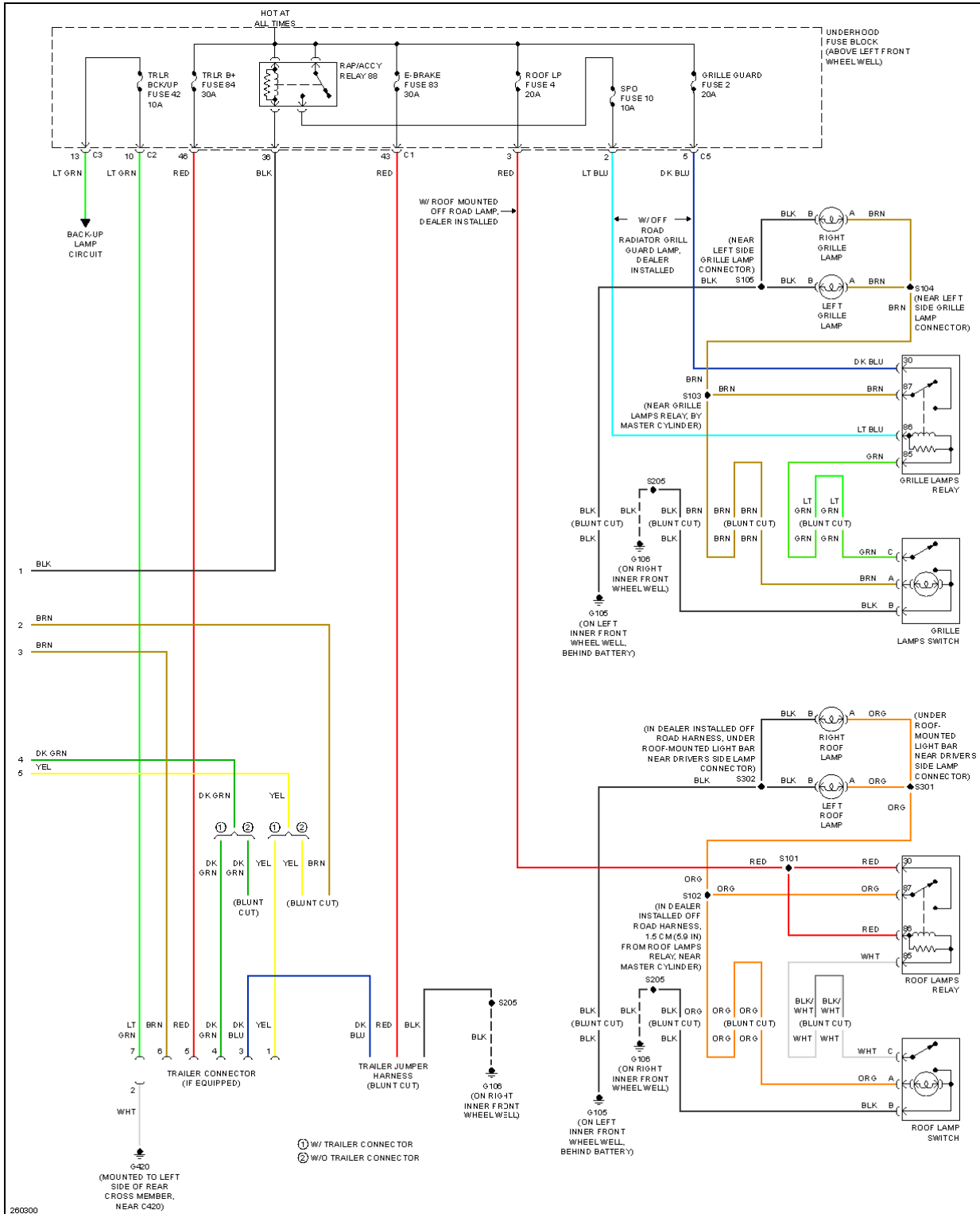


Fig. 21: Exterior Lamps Circuit (3 of 3)

GROUND DISTRIBUTION

Fig. 22: Ground Distribution Circuit (1 of 3)

2007 Hummer H3

2007 SYSTEM WIRING DIAGRAMS Hummer - H3

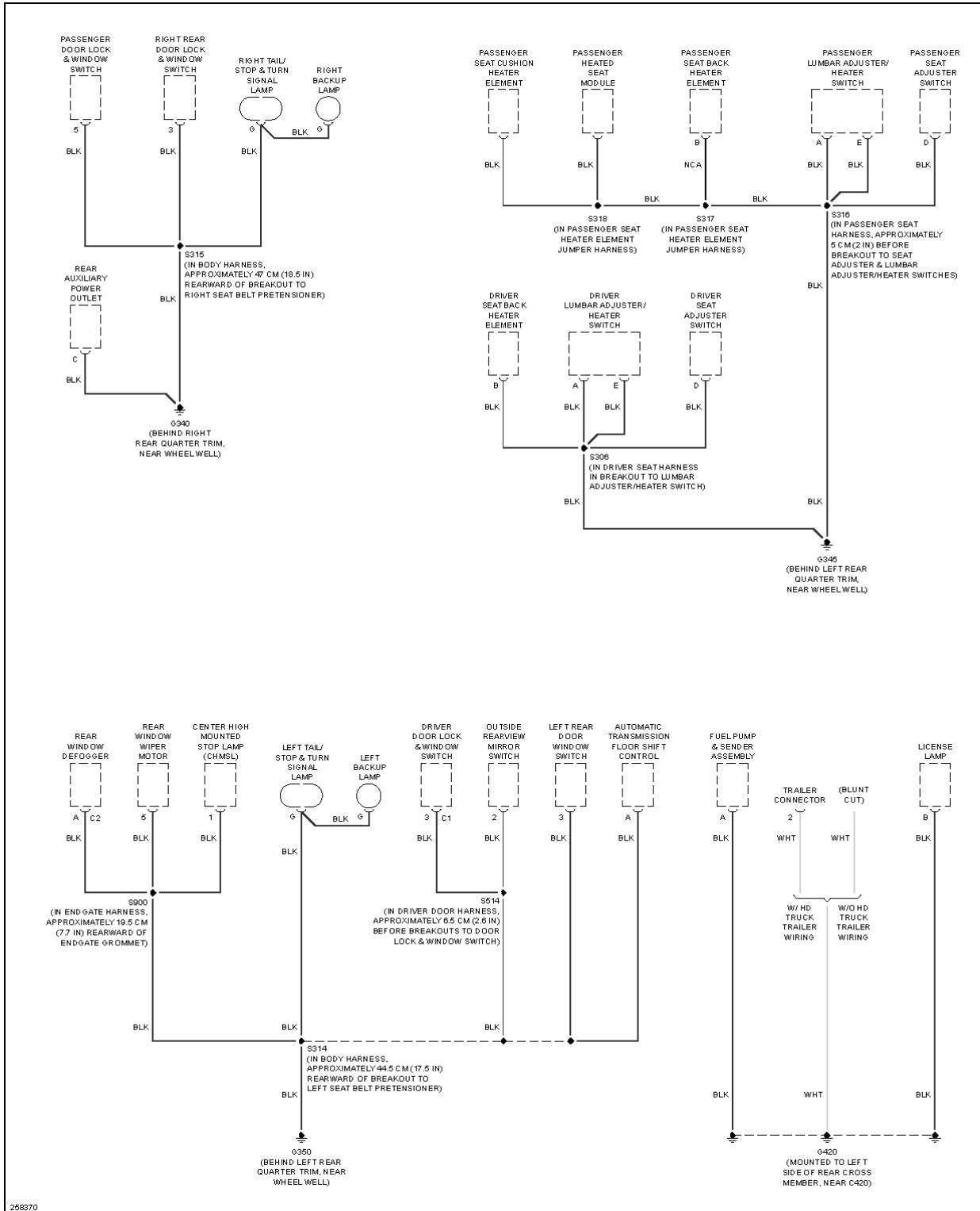


Fig. 23: Ground Distribution Circuit (2 of 3)

2007 Hummer H3

2007 SYSTEM WIRING DIAGRAMS Hummer - H3

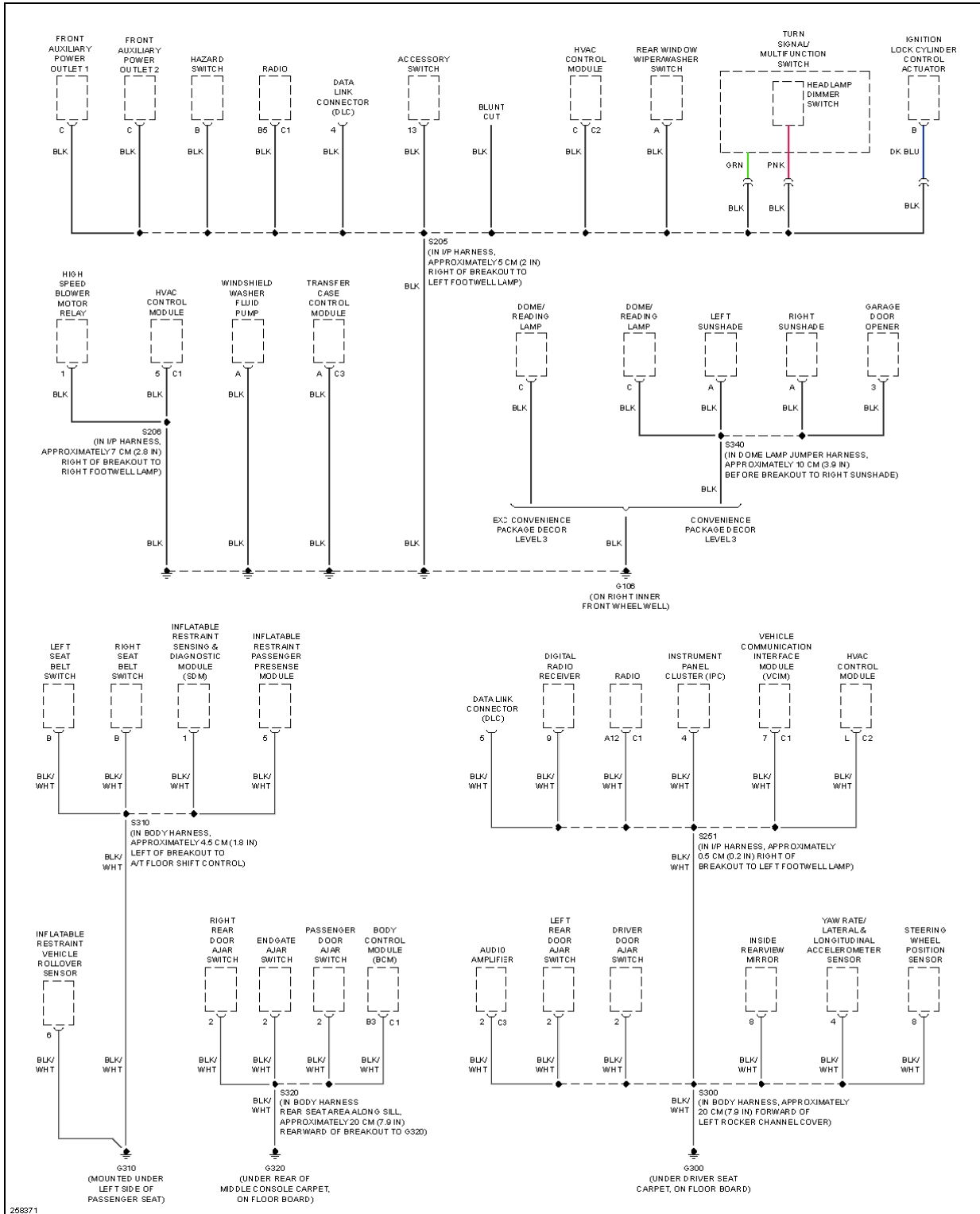


Fig. 24: Ground Distribution Circuit (3 of 3)

HEADLIGHTS

2007 Hummer H3

2007 SYSTEM WIRING DIAGRAMS Hummer - H3

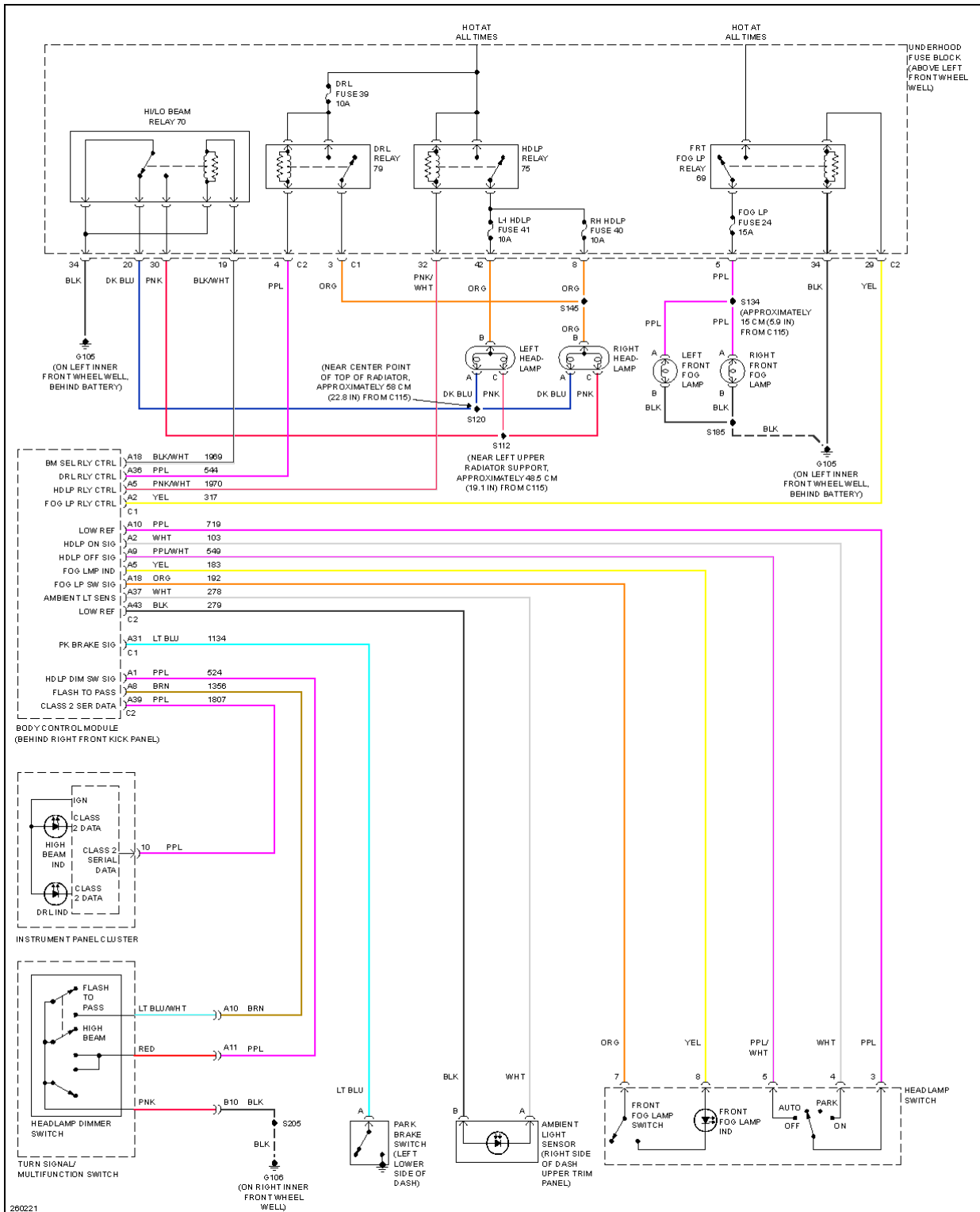


Fig. 25: Headlights Circuit

HORN

2007 Hummer H3

2007 SYSTEM WIRING DIAGRAMS Hummer - H3

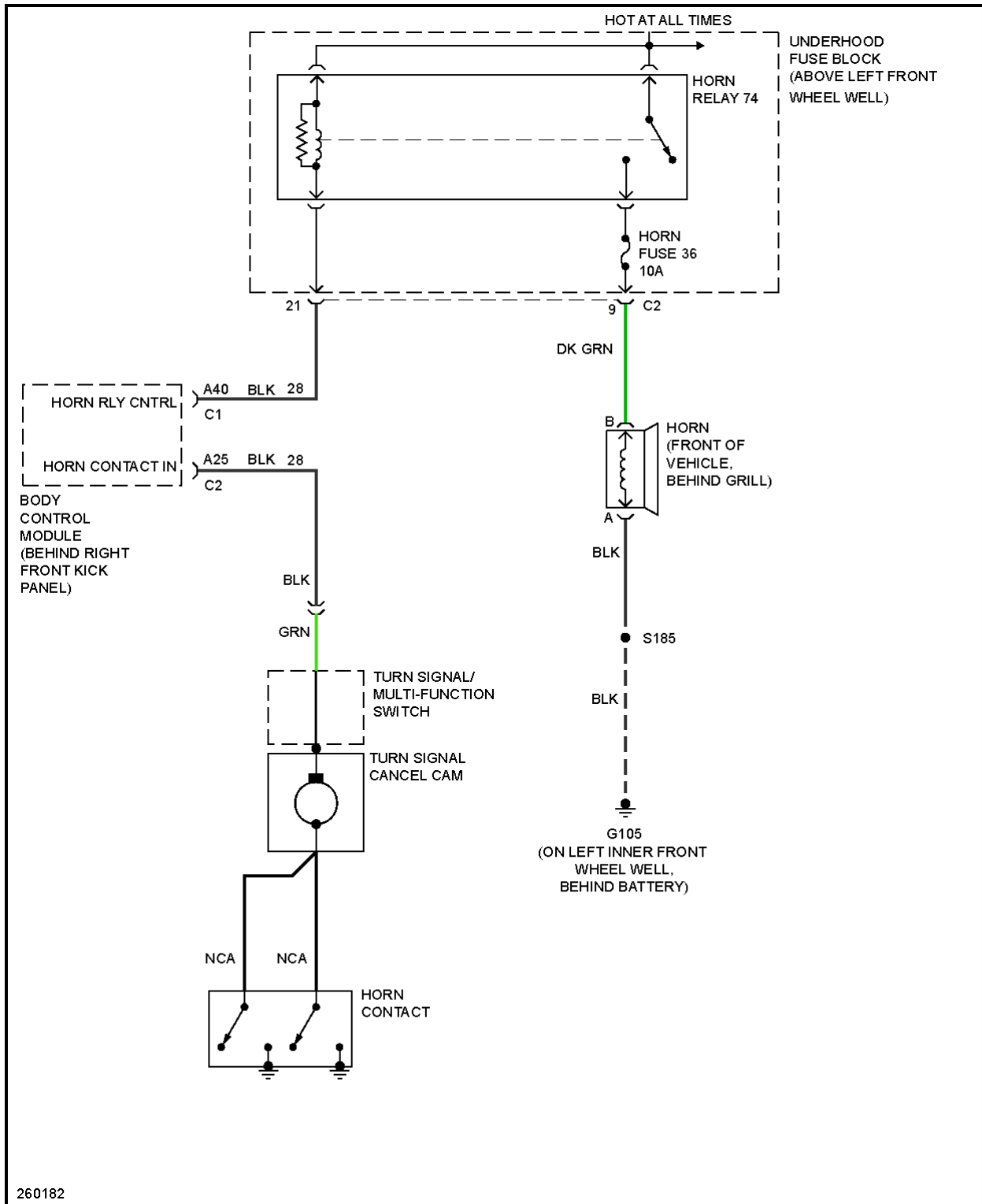


Fig. 26: Horn Circuit

INSTRUMENT CLUSTER

2007 Hummer H3

2007 SYSTEM WIRING DIAGRAMS Hummer - H3

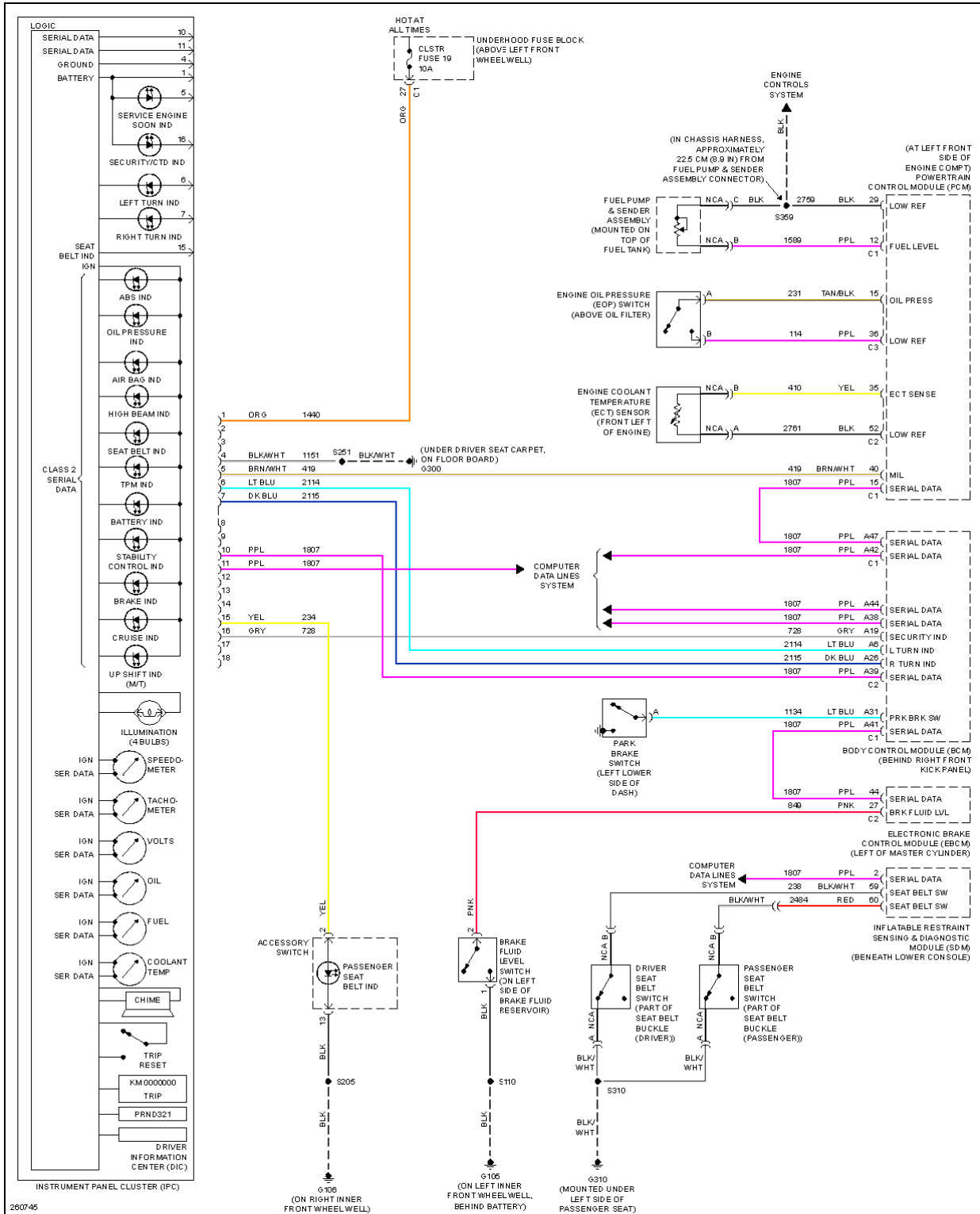


Fig. 27: Instrument Cluster Circuit

INTERIOR LIGHTS

2007 Hummer H3

2007 SYSTEM WIRING DIAGRAMS Hummer - H3

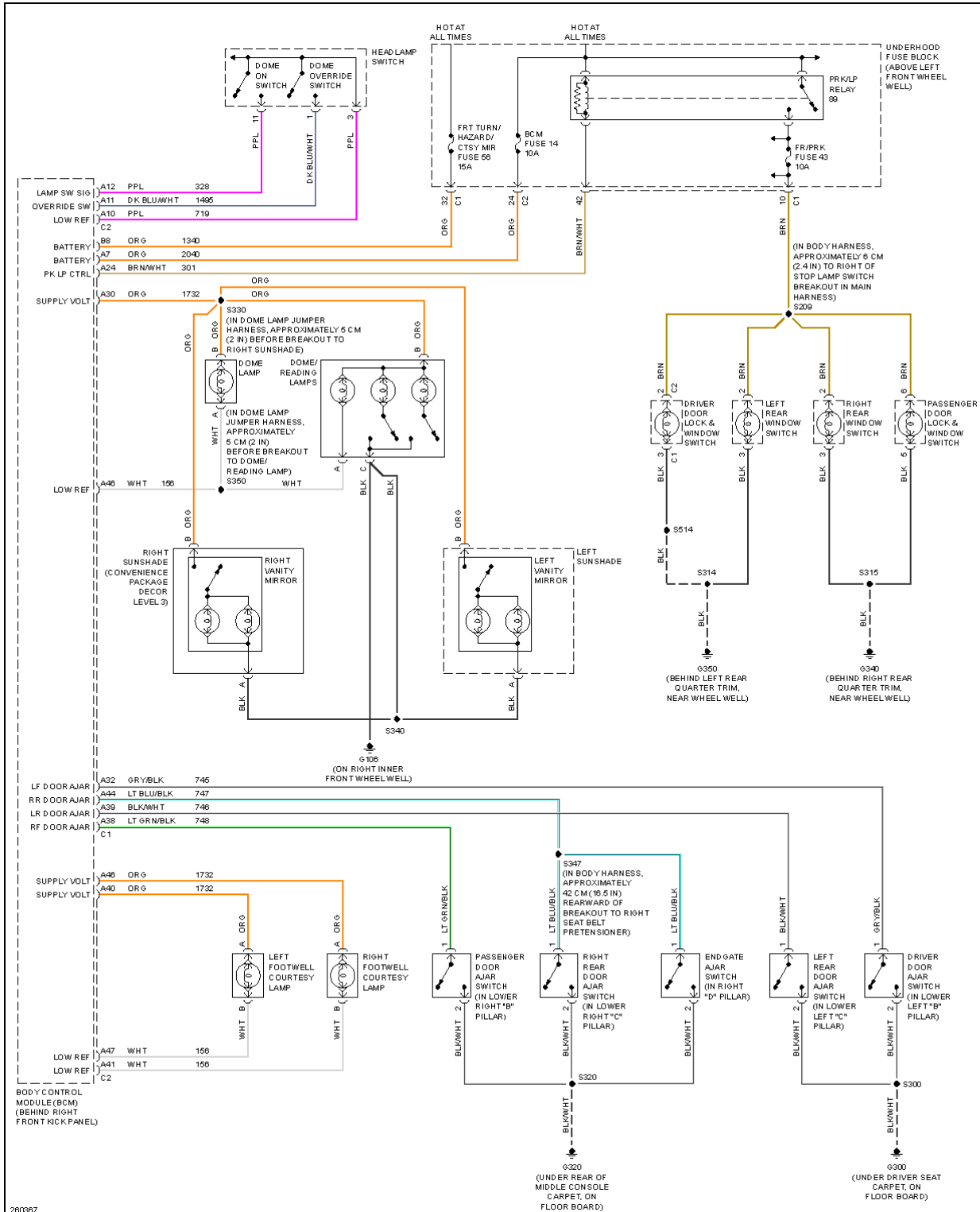


Fig. 28: Courtesy Lamps Circuit

2007 Hummer H3

2007 SYSTEM WIRING DIAGRAMS Hummer - H3

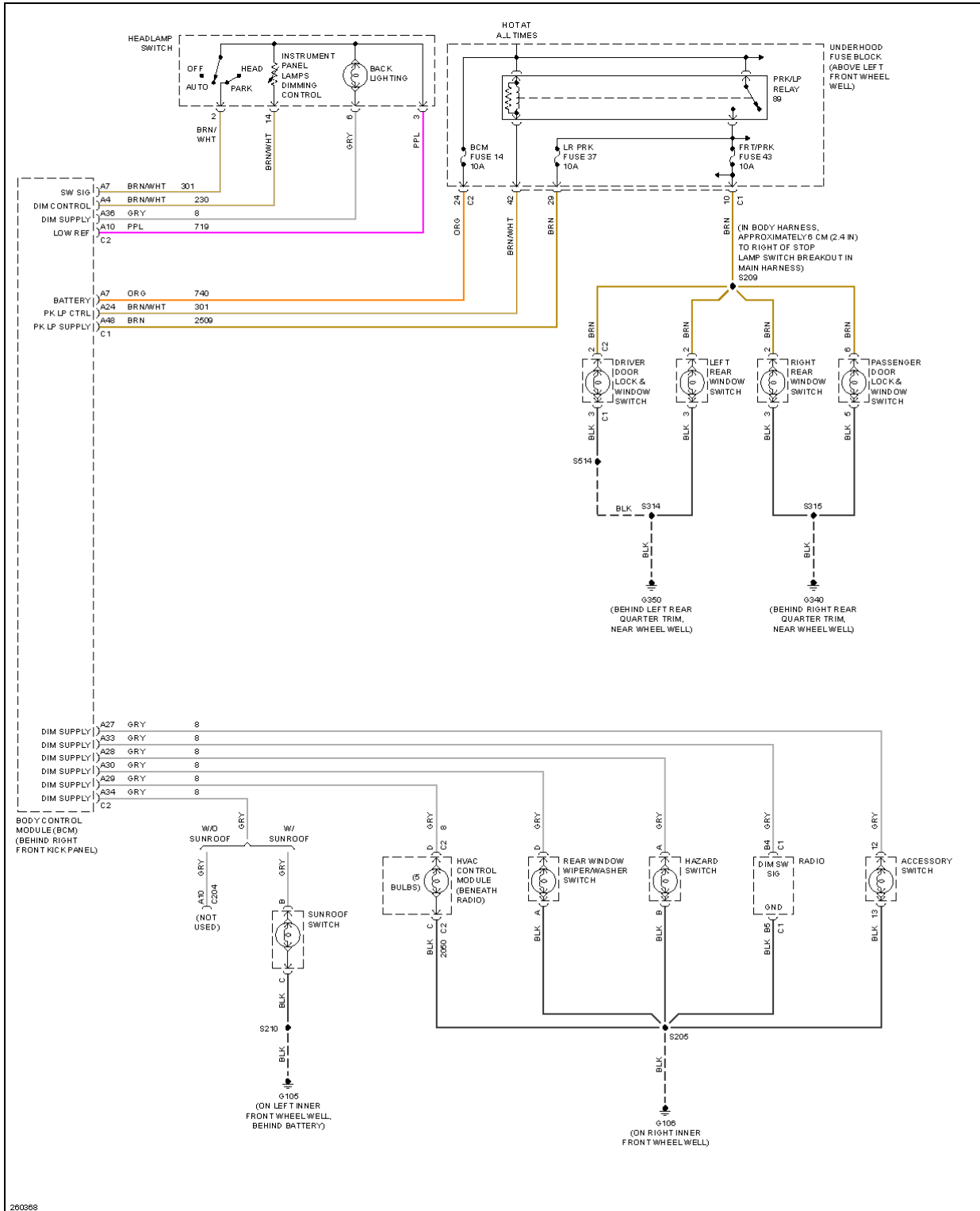


Fig. 29: Instrument Illumination Circuit

NAVIGATION

2007 Hummer H3

2007 SYSTEM WIRING DIAGRAMS Hummer - H3

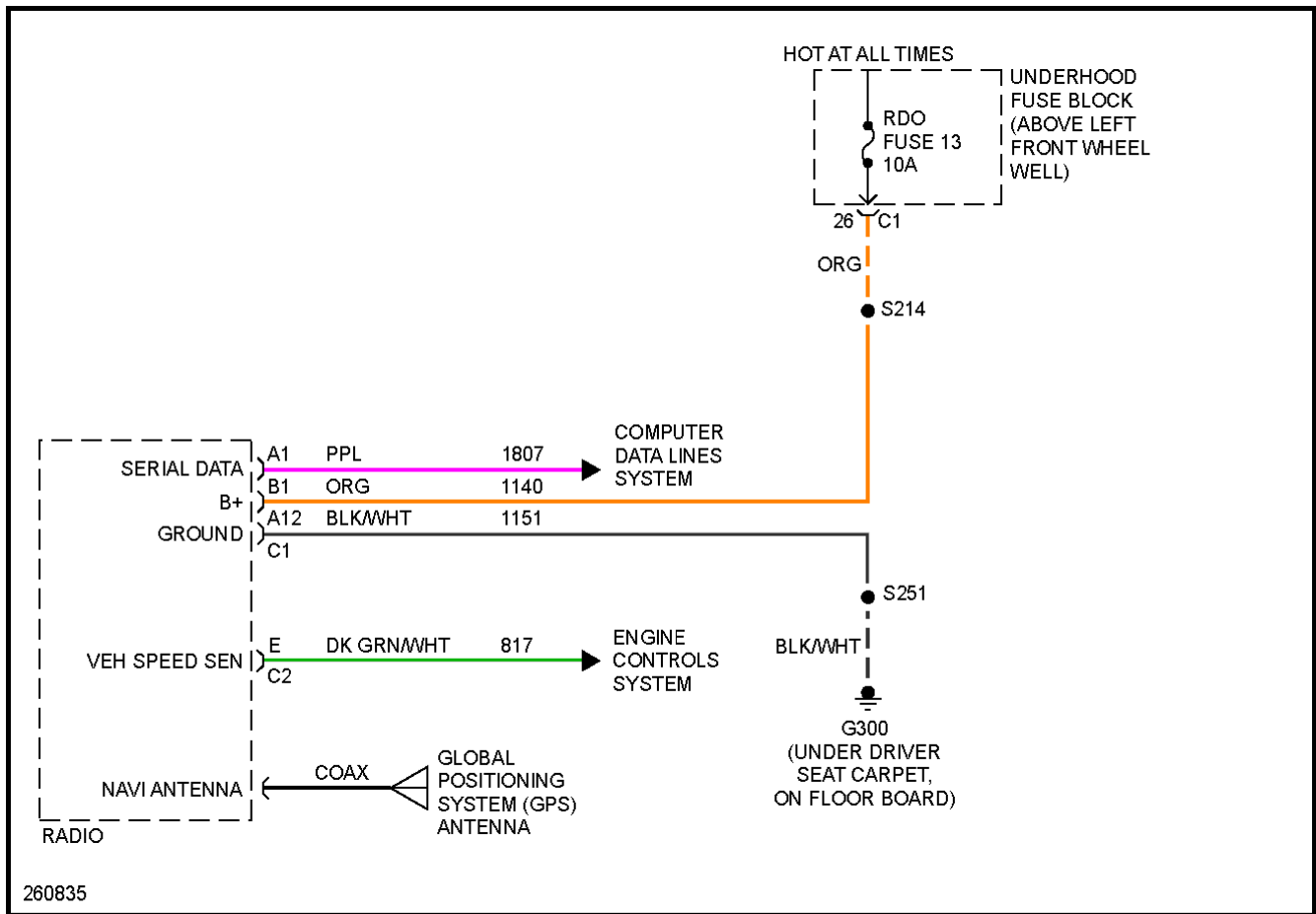


Fig. 30: Navigation Circuit

POWER DISTRIBUTION

Fig. 31: Power Distribution Circuit (1 of 4)

2007 Hummer H3

2007 SYSTEM WIRING DIAGRAMS Hummer - H3

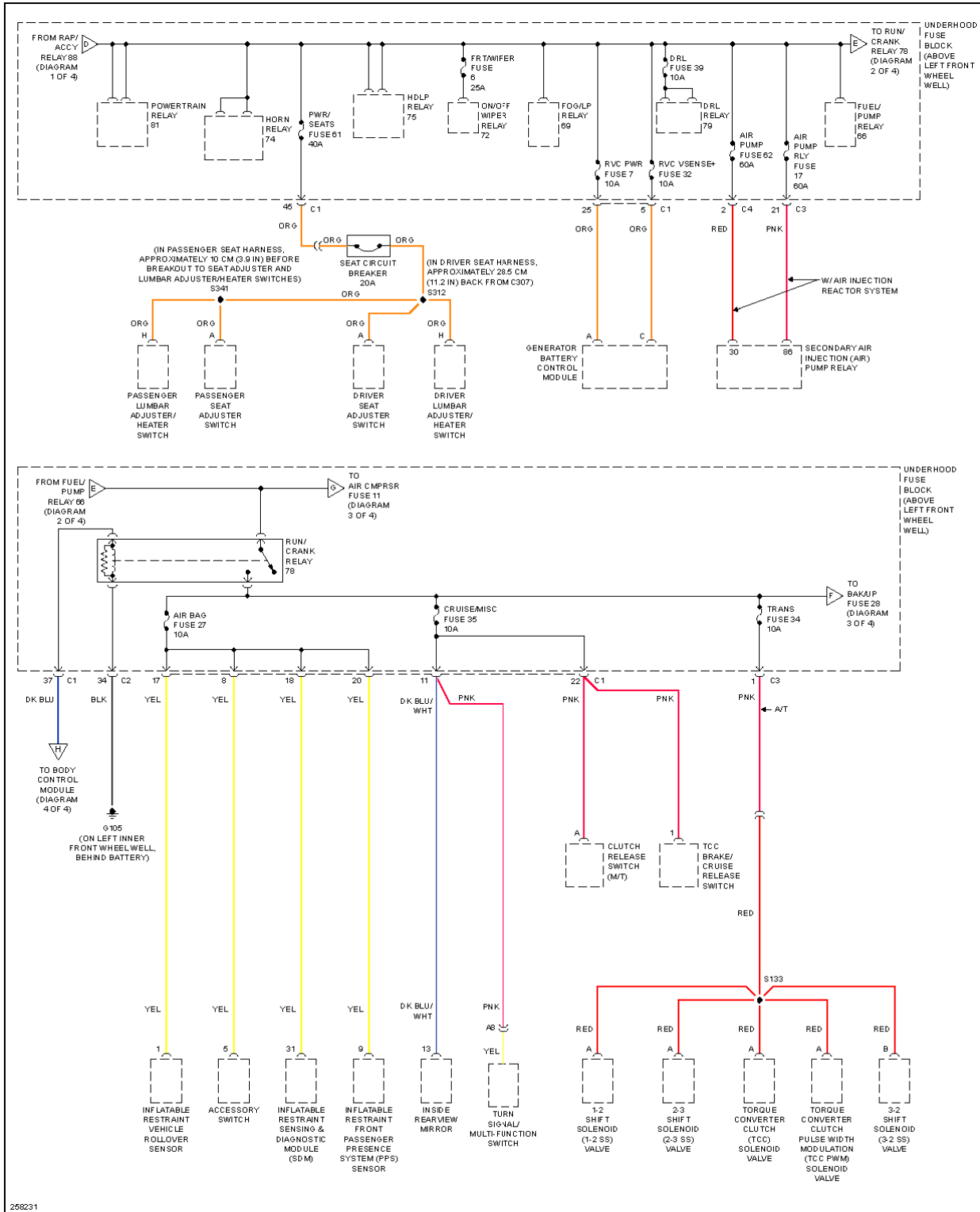


Fig. 32: Power Distribution Circuit (2 of 4)

2007 Hummer H3

2007 SYSTEM WIRING DIAGRAMS Hummer - H3

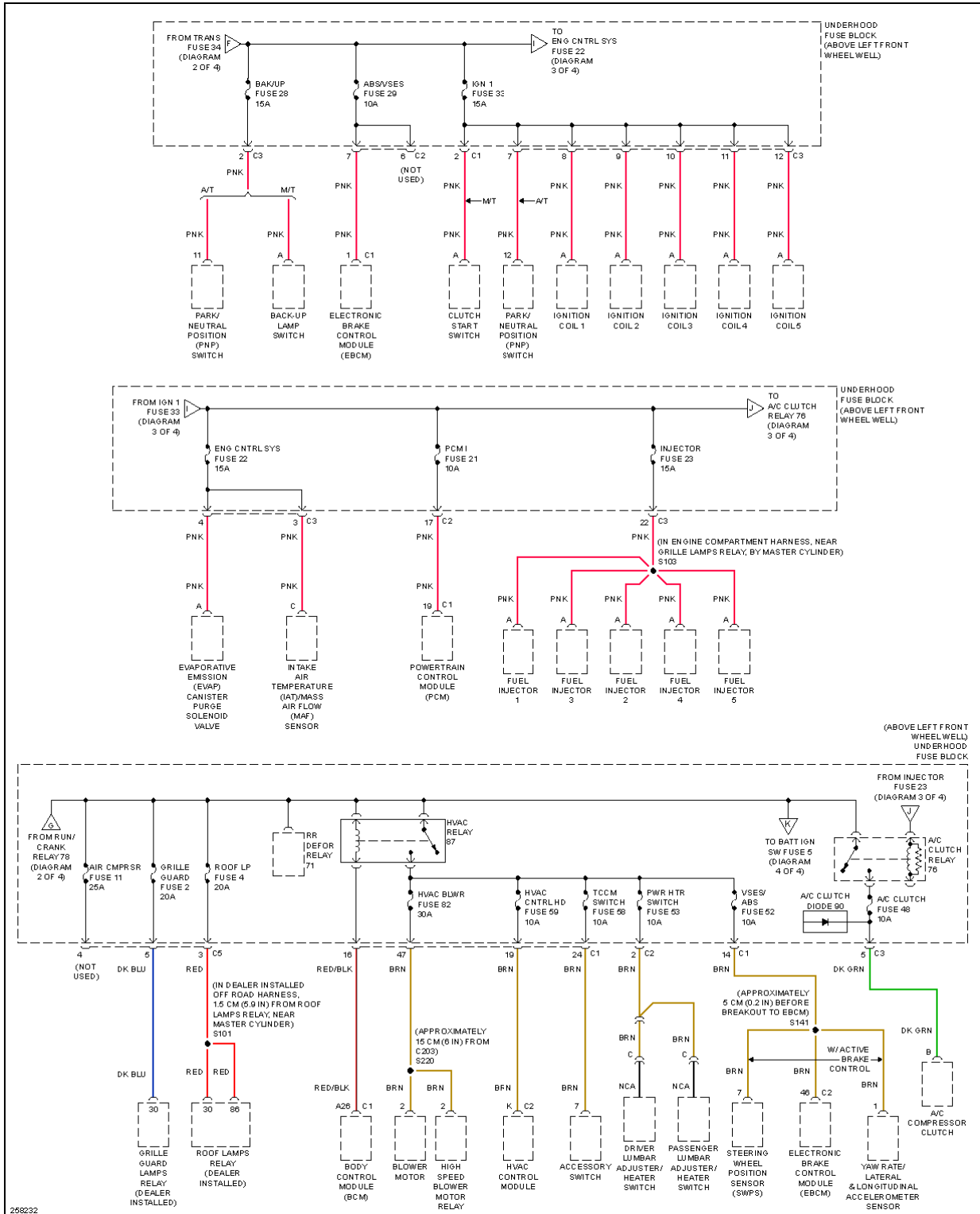


Fig. 33: Power Distribution Circuit (3 of 4)

2007 Hummer H3

2007 SYSTEM WIRING DIAGRAMS Hummer - H3

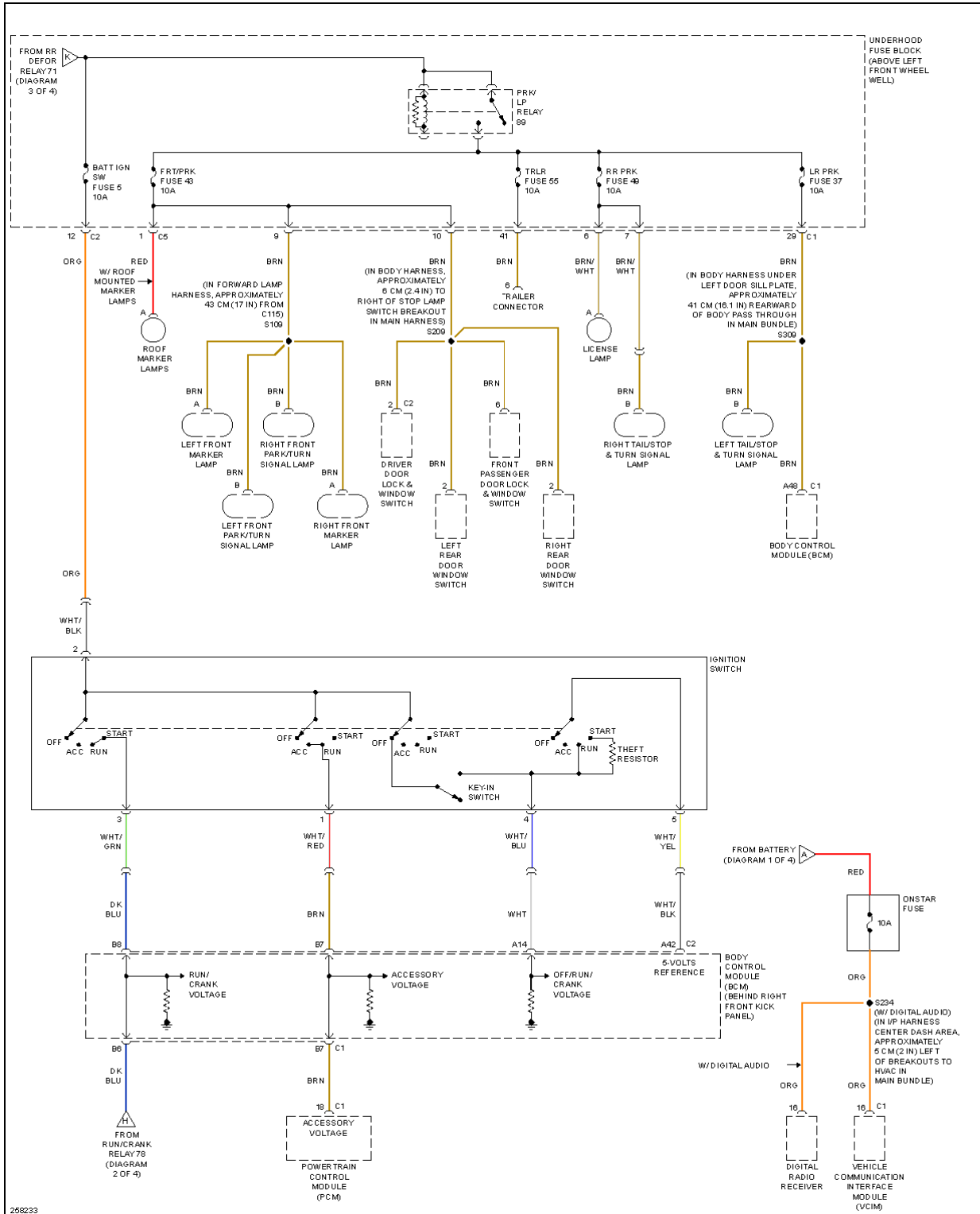


Fig. 34: Power Distribution Circuit (4 of 4)

POWER DOOR LOCKS

2007 Hummer H3

2007 SYSTEM WIRING DIAGRAMS Hummer - H3

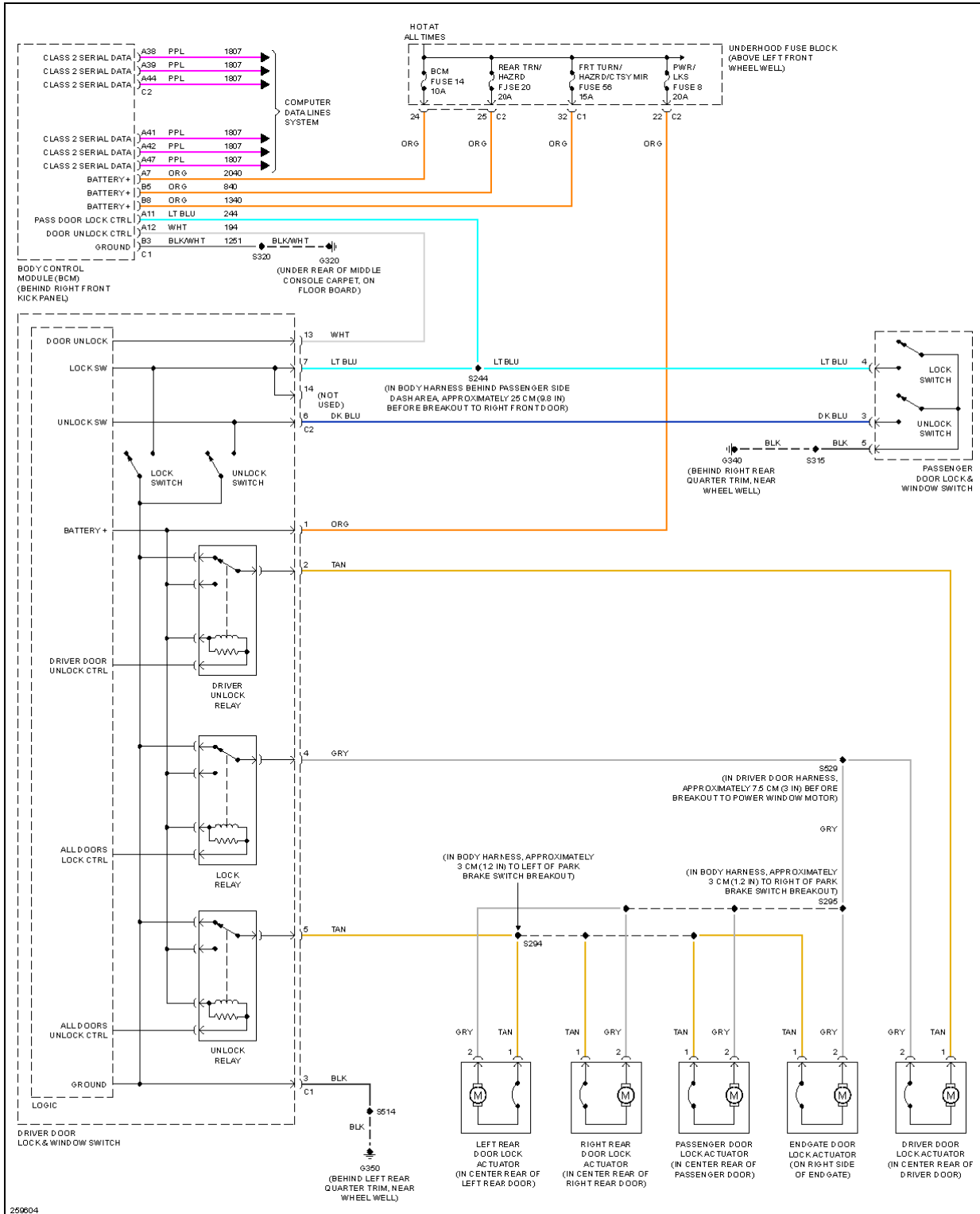


Fig. 35: Power Door Locks Circuit

POWER MIRRORS

2007 Hummer H3

2007 SYSTEM WIRING DIAGRAMS Hummer - H3

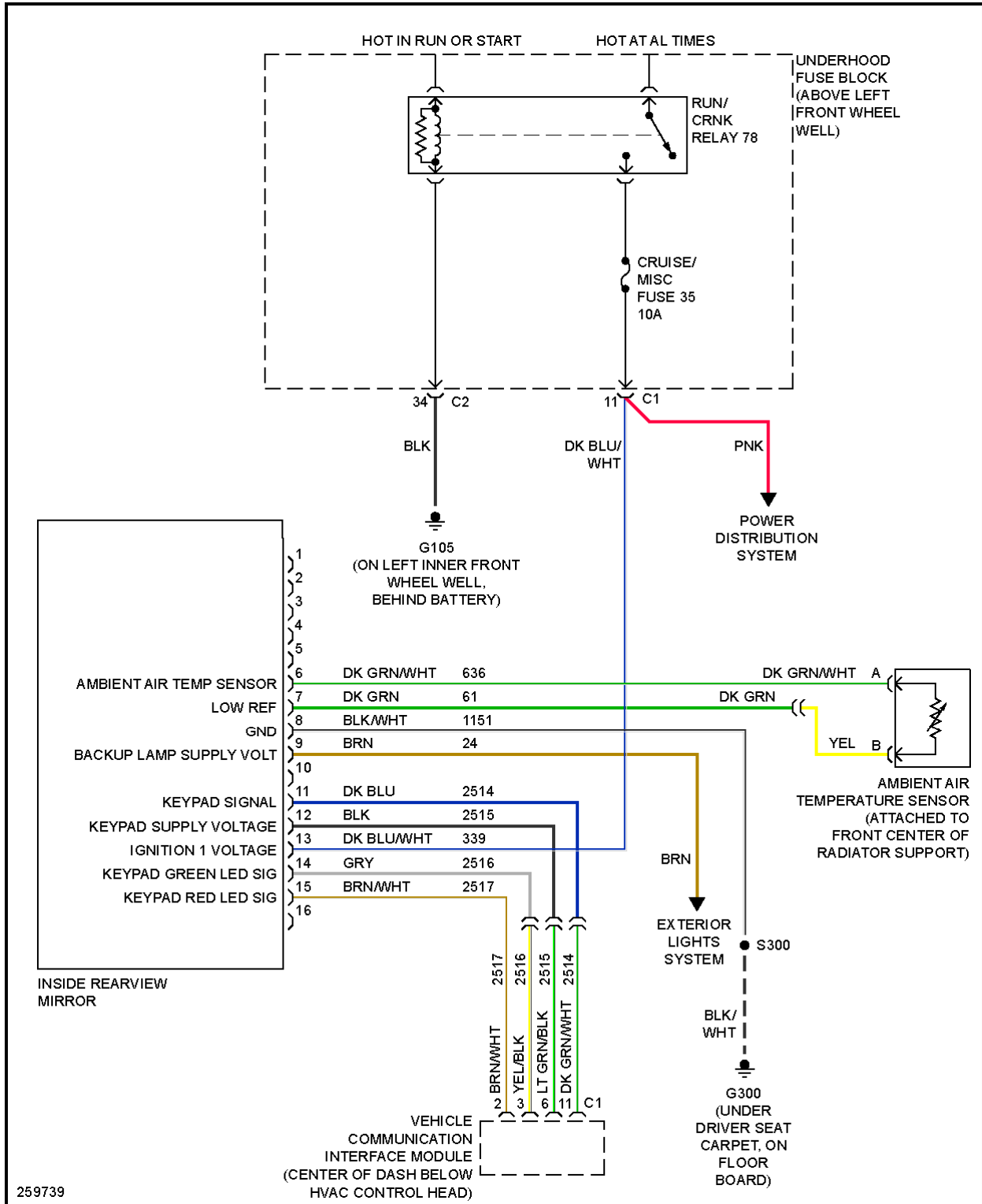


Fig. 36: Electrochromic Mirror Circuit

2007 Hummer H3

2007 SYSTEM WIRING DIAGRAMS Hummer - H3

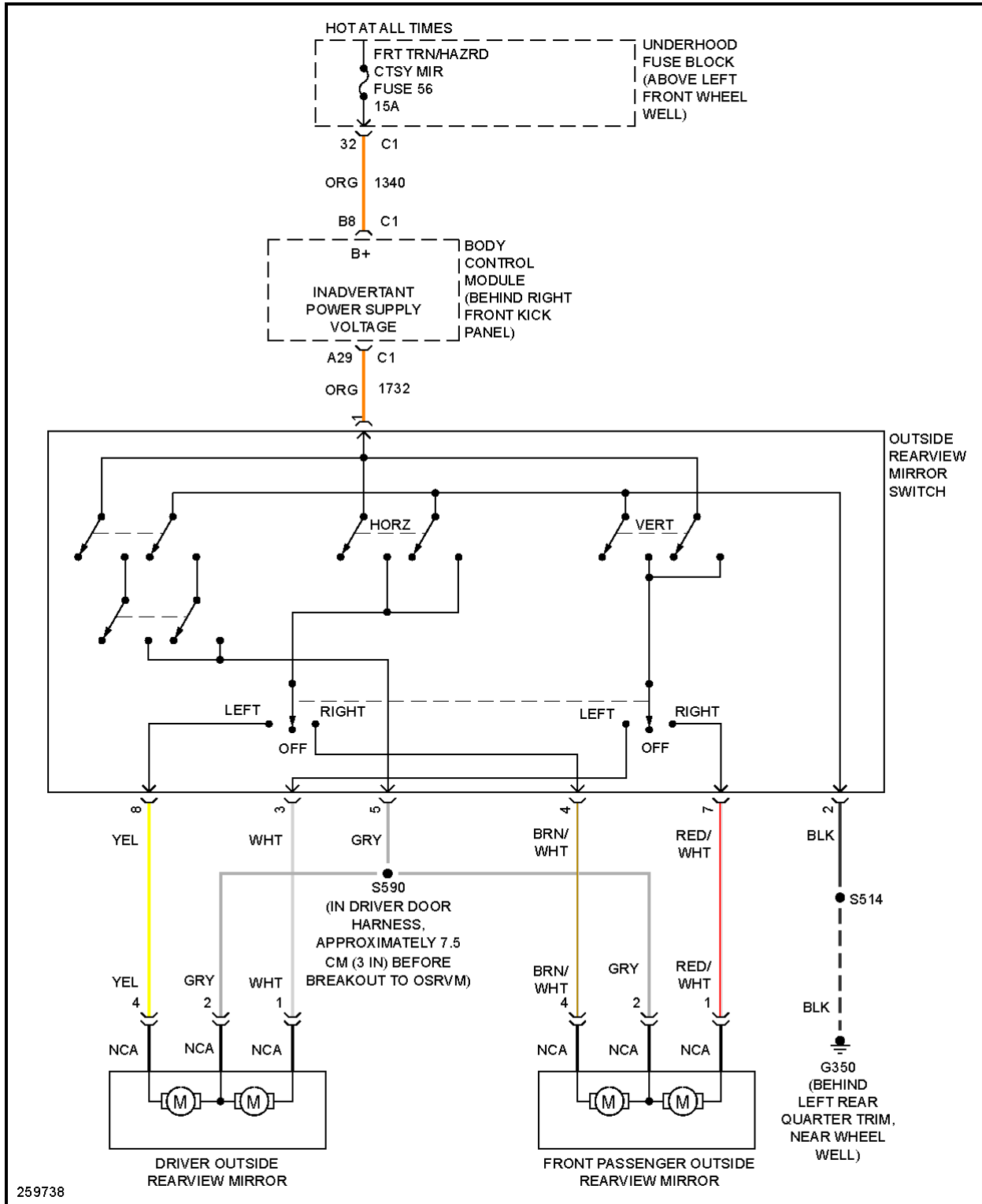


Fig. 37: Power Mirrors Circuit

POWER SEATS

2007 Hummer H3

2007 SYSTEM WIRING DIAGRAMS Hummer - H3

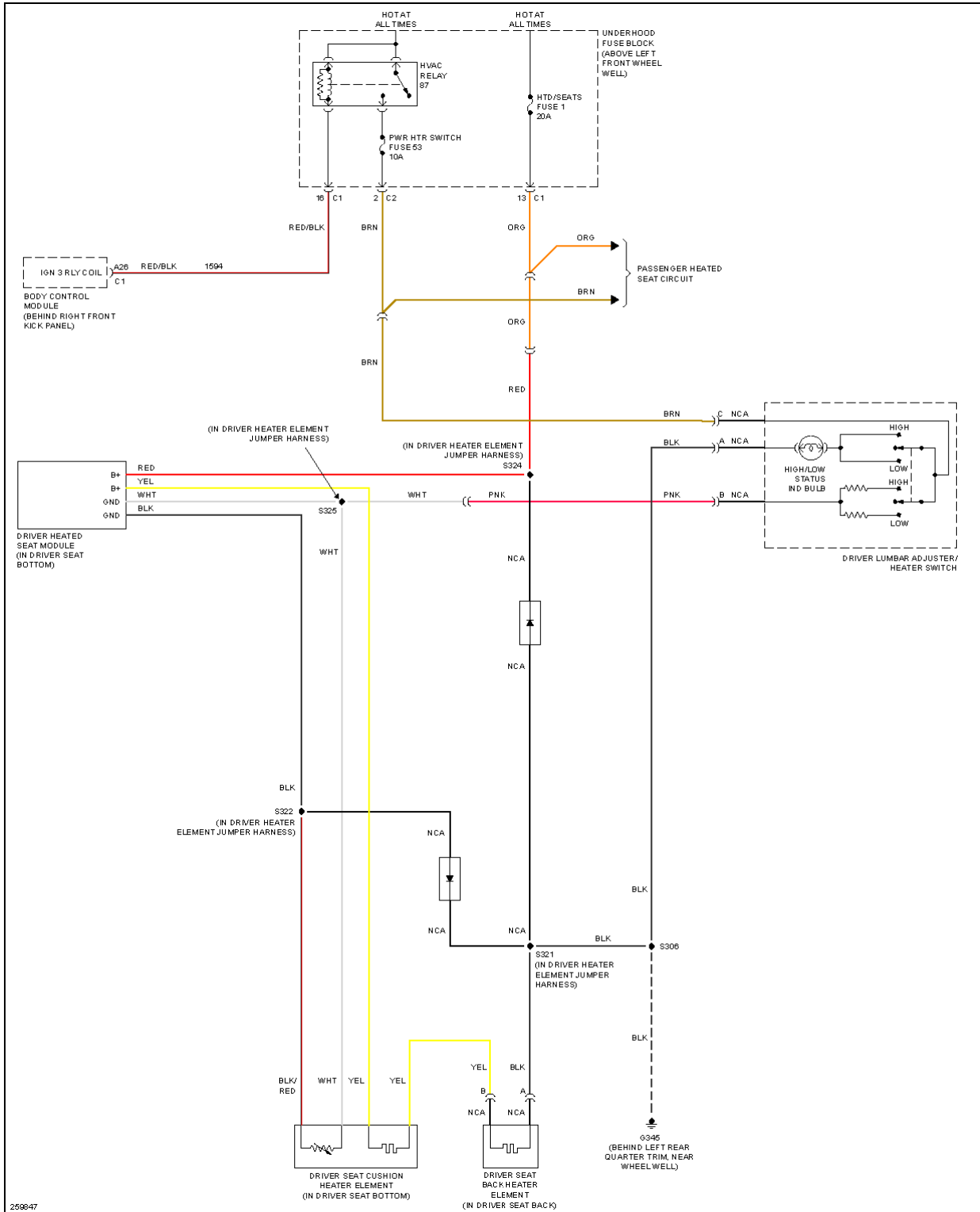


Fig. 38: Driver Heated Seat Circuit

2007 Hummer H3

2007 SYSTEM WIRING DIAGRAMS Hummer - H3

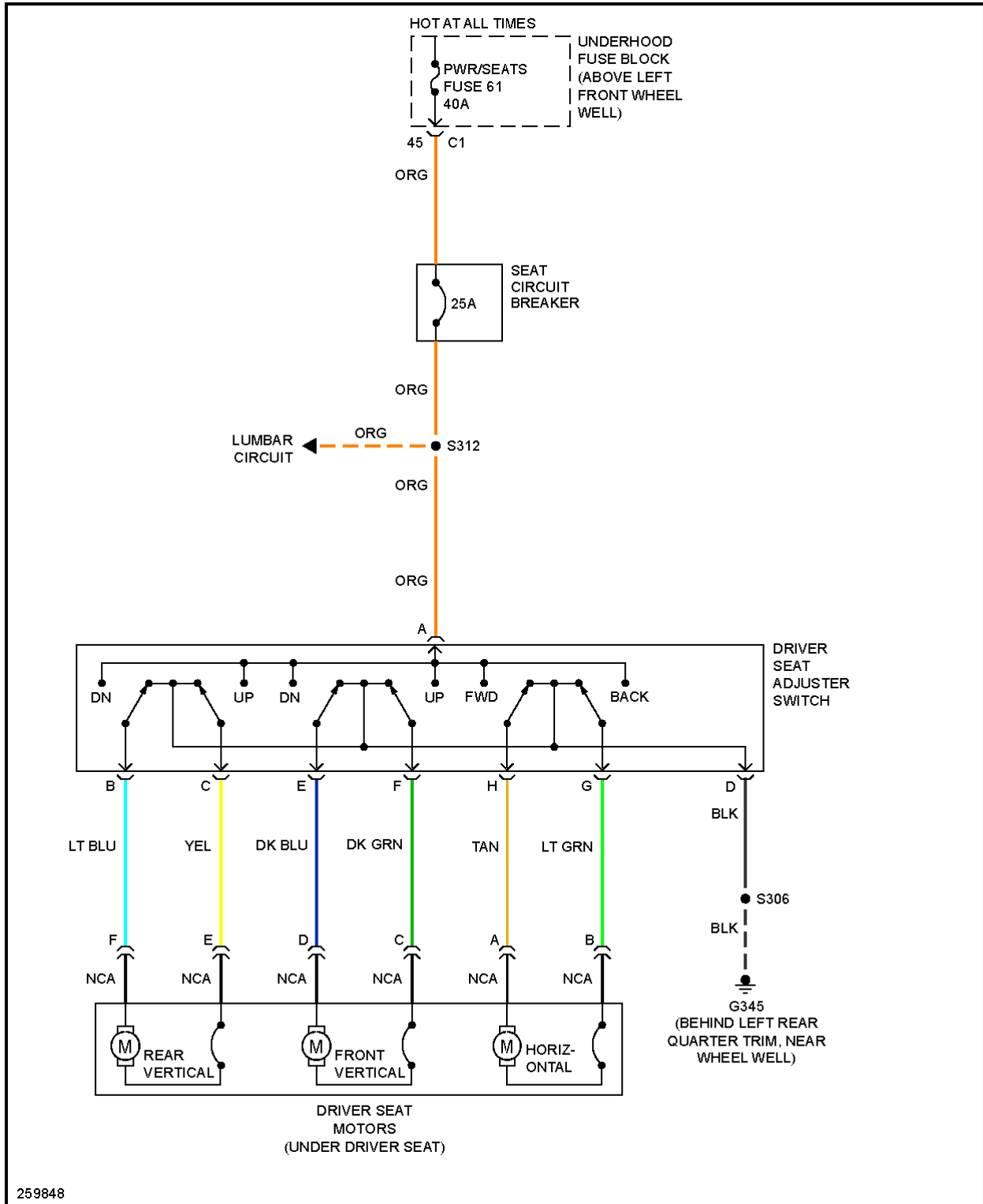


Fig. 39: Driver Power Seat Circuit

2007 Hummer H3

2007 SYSTEM WIRING DIAGRAMS Hummer - H3

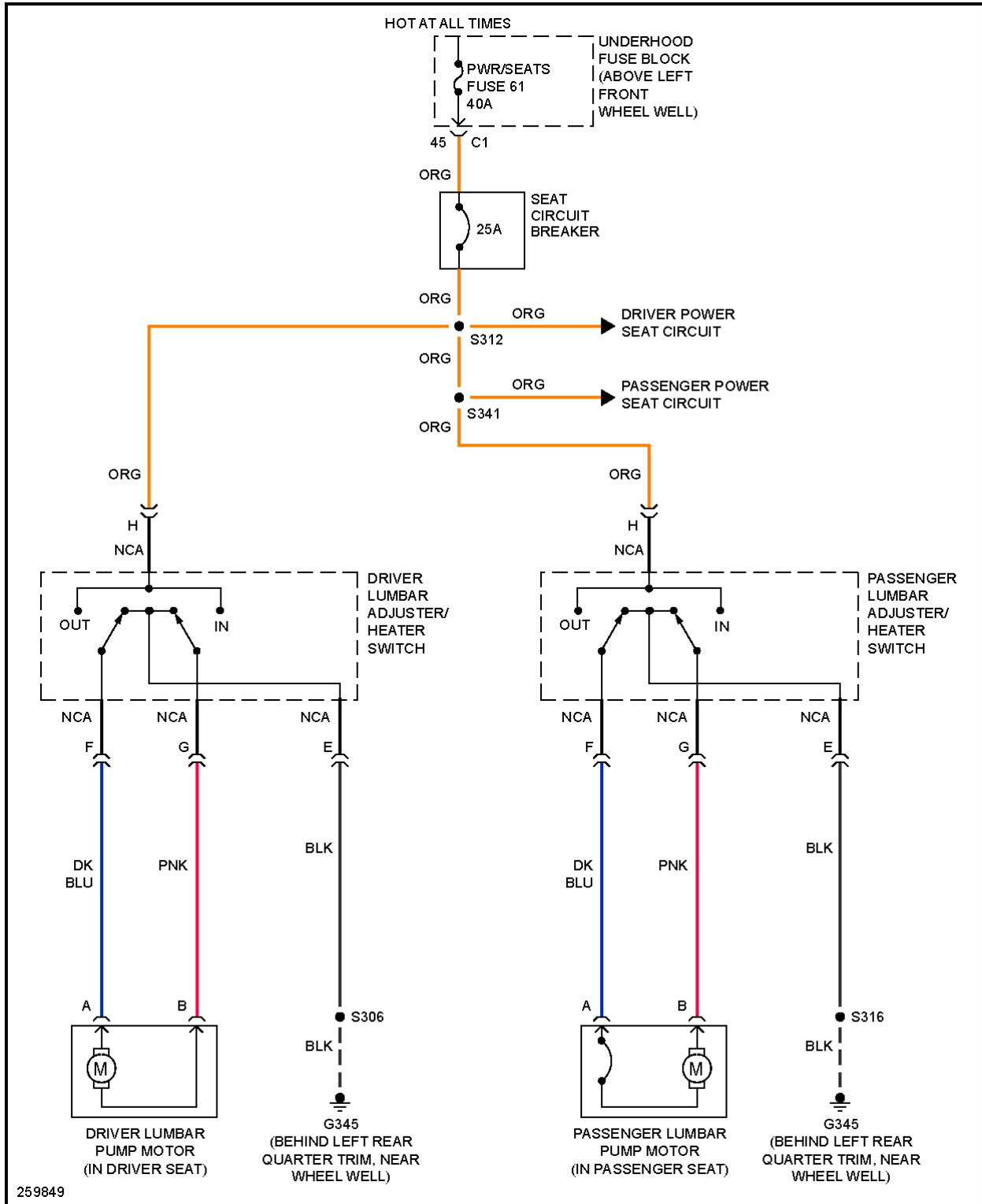


Fig. 40: Lumbar Circuit

2007 Hummer H3

2007 SYSTEM WIRING DIAGRAMS Hummer - H3

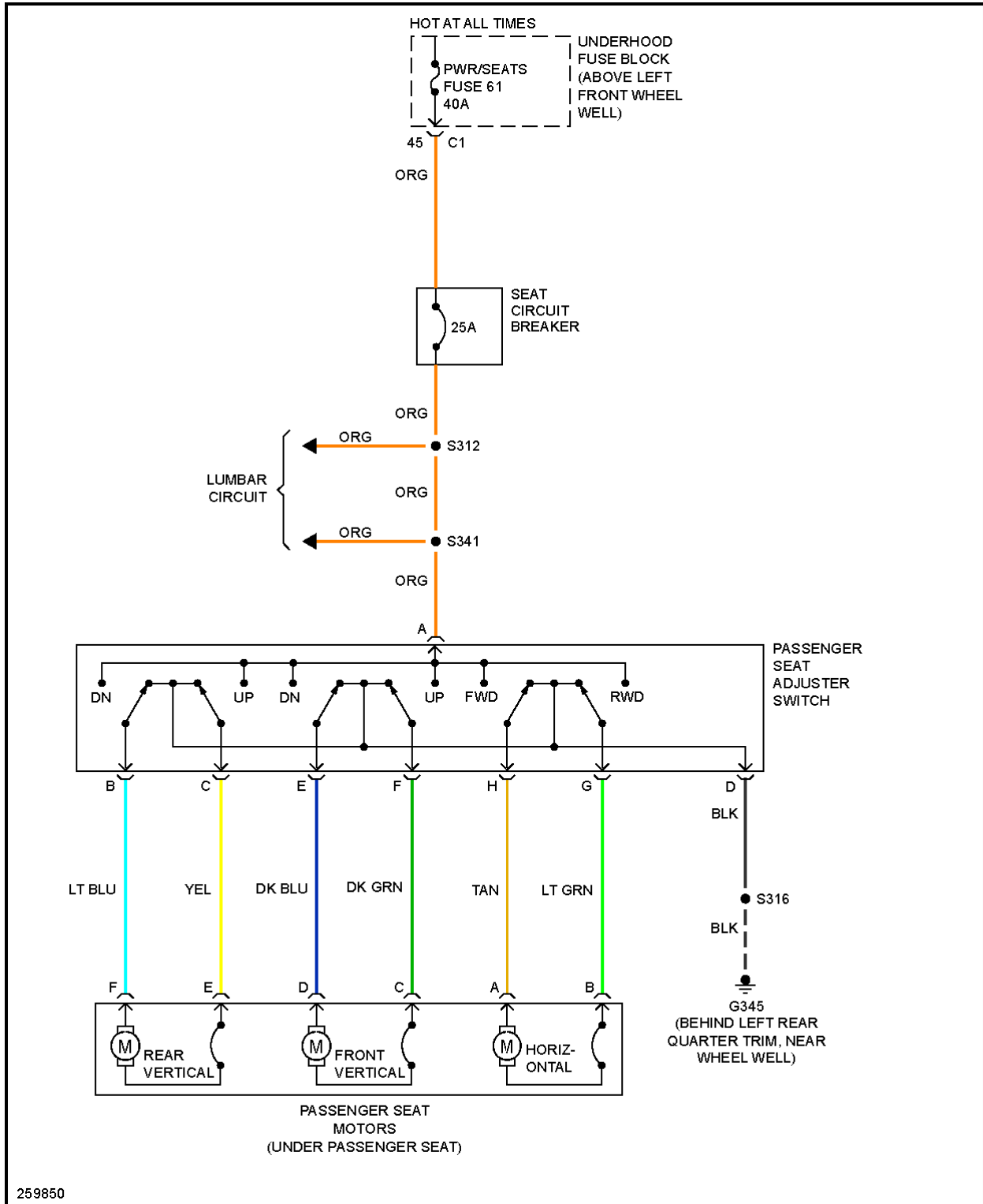


Fig. 41: Passenger Power Seat Circuit

2007 Hummer H3

2007 SYSTEM WIRING DIAGRAMS Hummer - H3

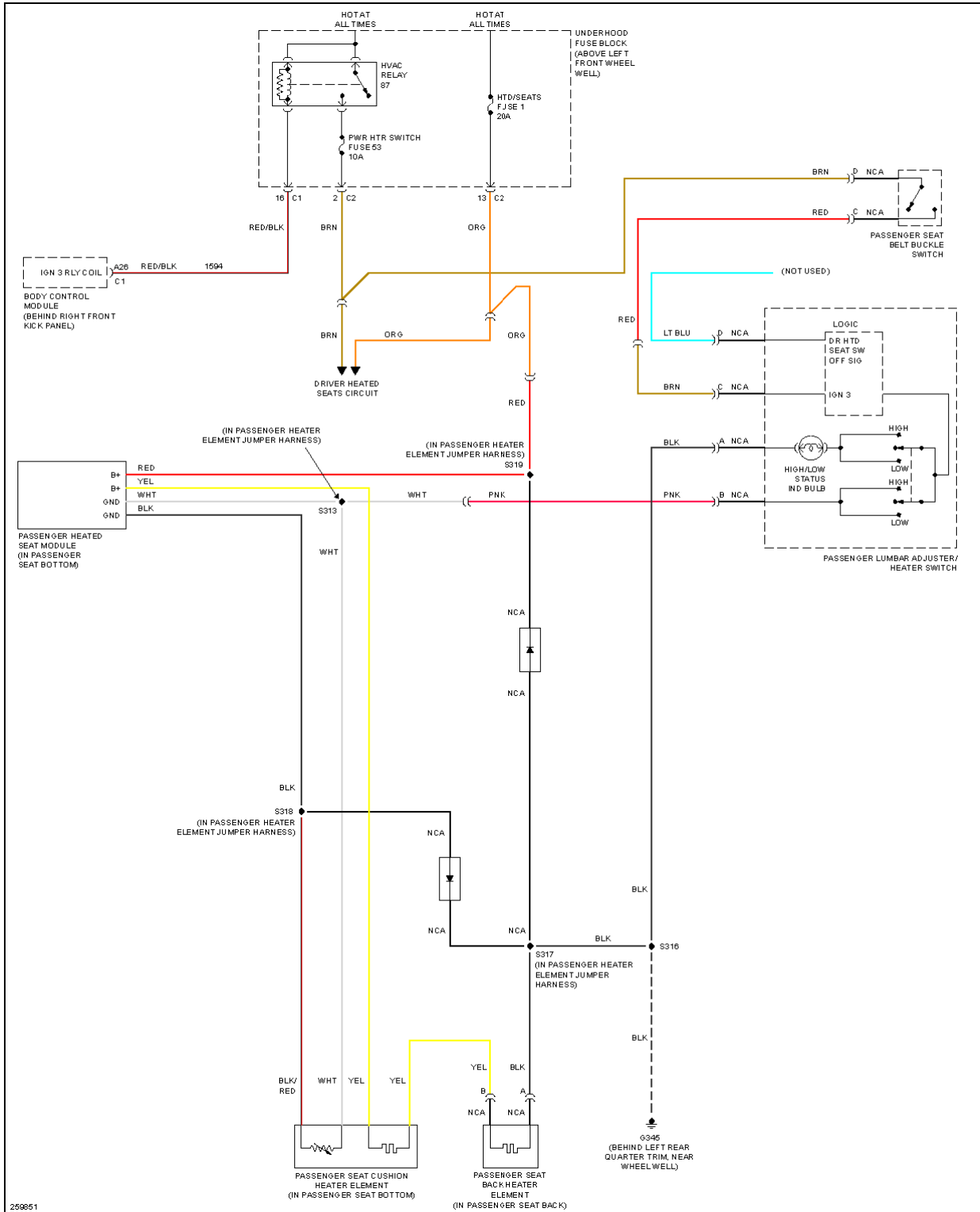


Fig. 42: Passenger's Heated Seat Circuit

POWER TOP/SUNROOF

2007 Hummer H3

2007 SYSTEM WIRING DIAGRAMS Hummer - H3

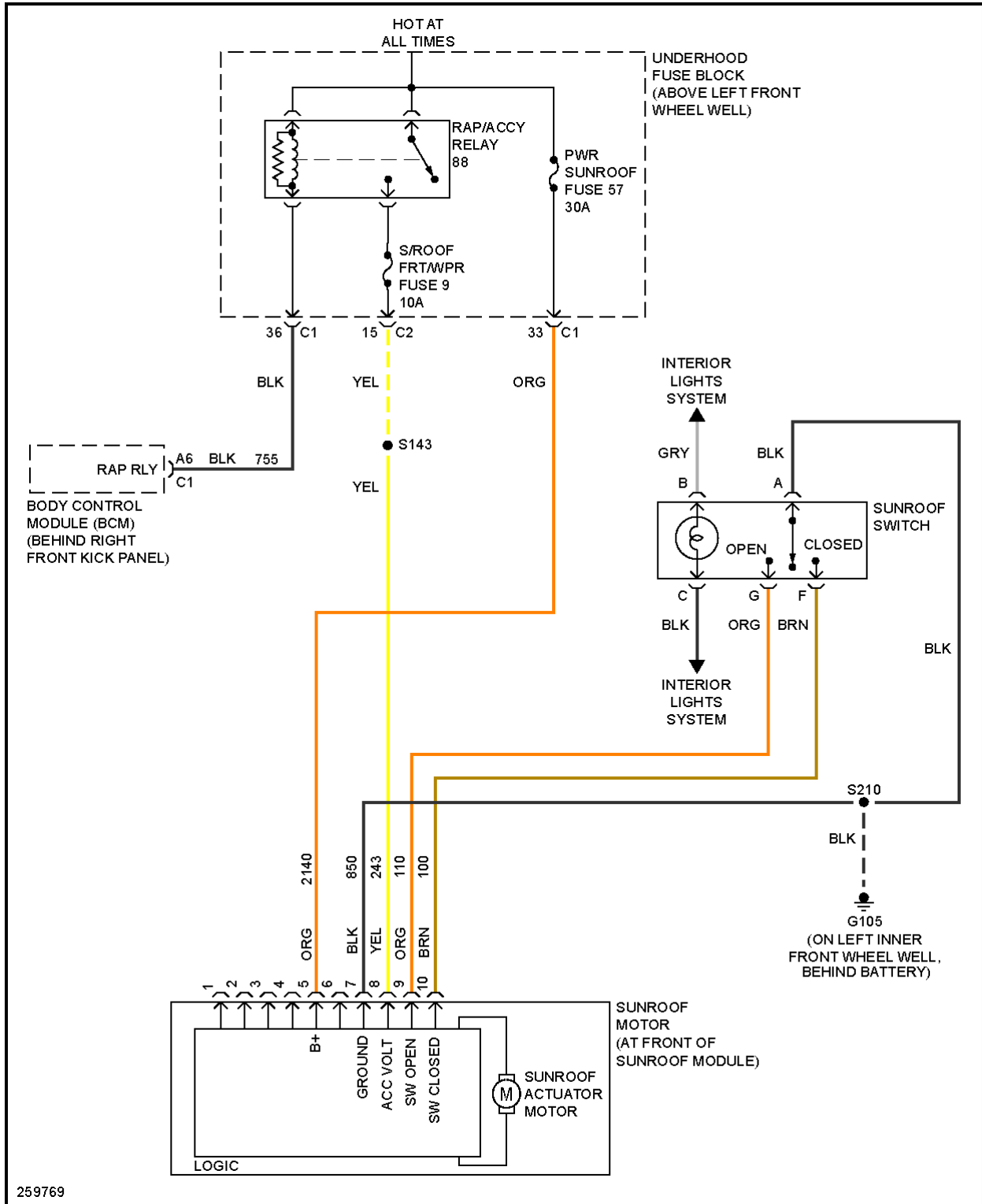


Fig. 43: Power Top/Sunroof Circuit

POWER WINDOWS

2007 Hummer H3

2007 SYSTEM WIRING DIAGRAMS Hummer - H3

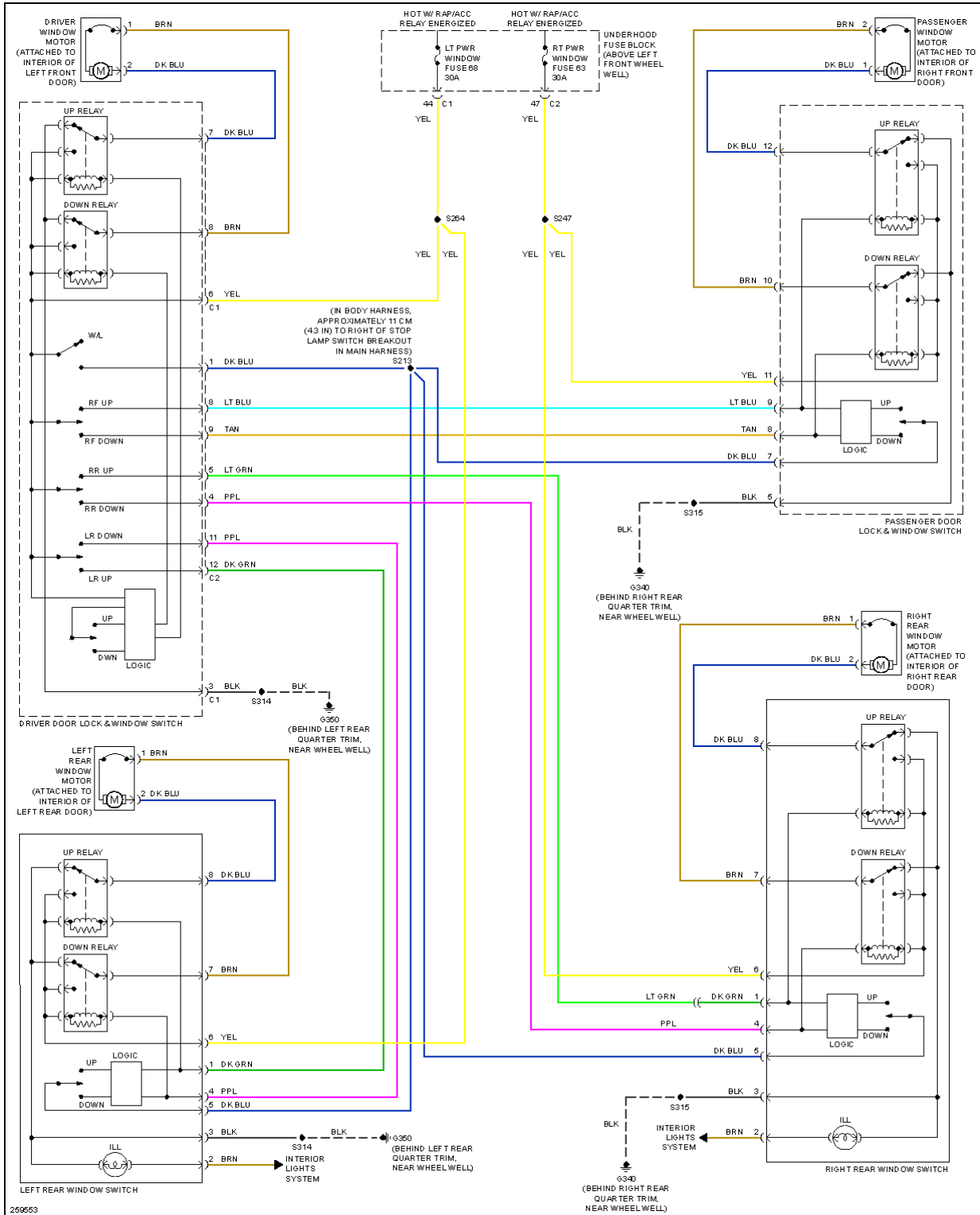


Fig. 44: Power Windows Circuit

RADIO

2007 Hummer H3

2007 SYSTEM WIRING DIAGRAMS Hummer - H3

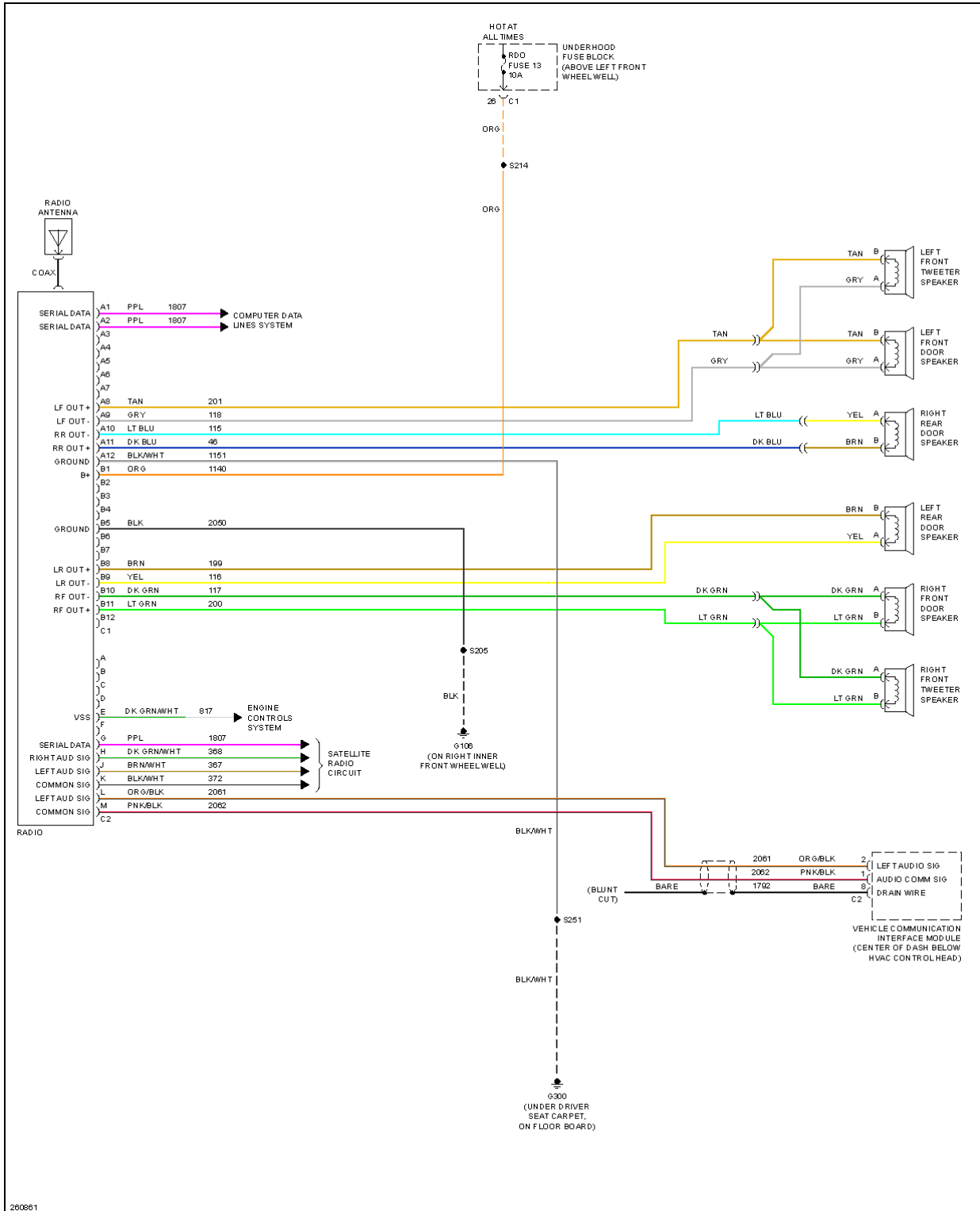


Fig. 45: Base Radio Circuit

2007 Hummer H3

2007 SYSTEM WIRING DIAGRAMS Hummer - H3

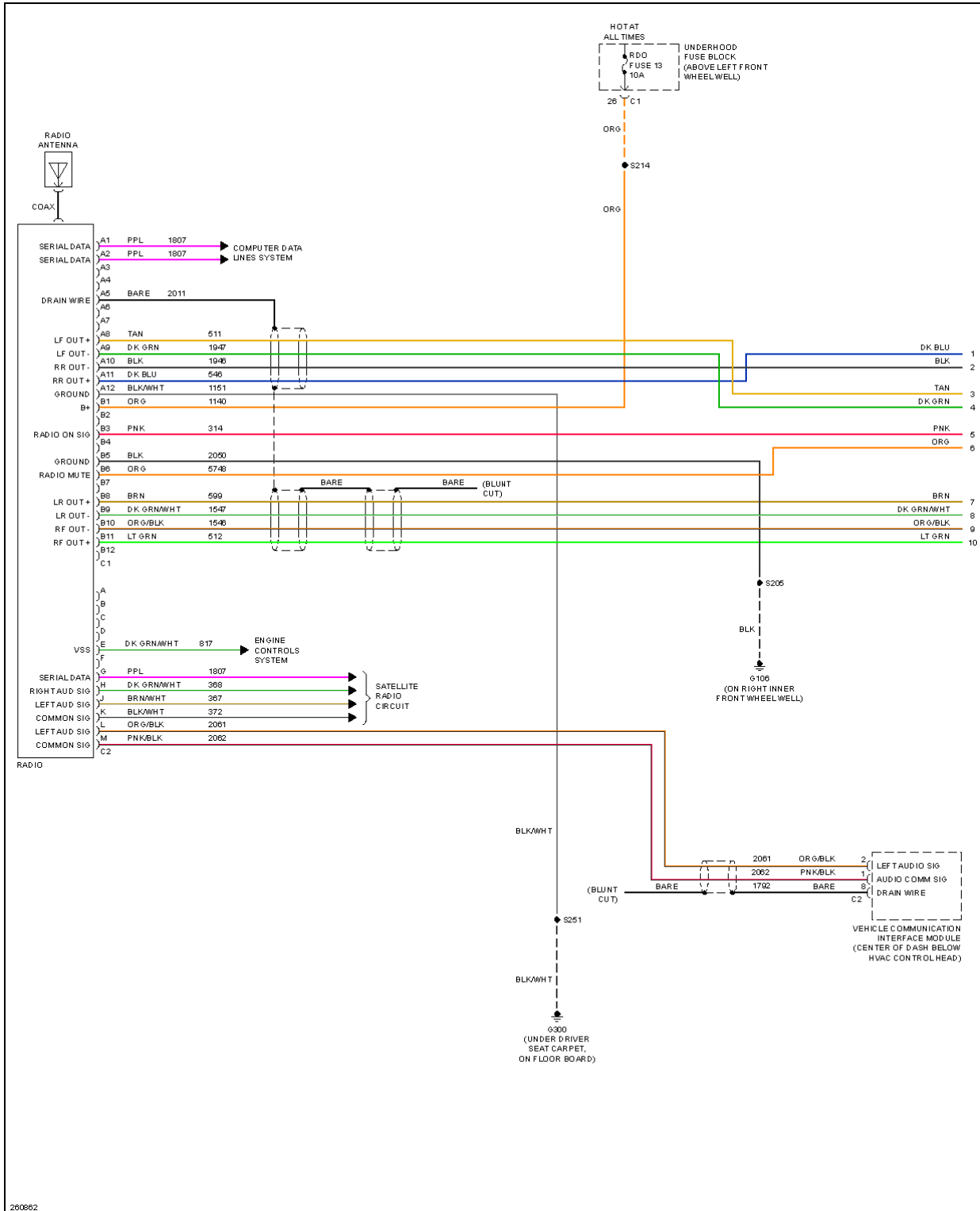


Fig. 46: Premium Radio Circuit (1 of 2)

2007 Hummer H3

2007 SYSTEM WIRING DIAGRAMS Hummer - H3

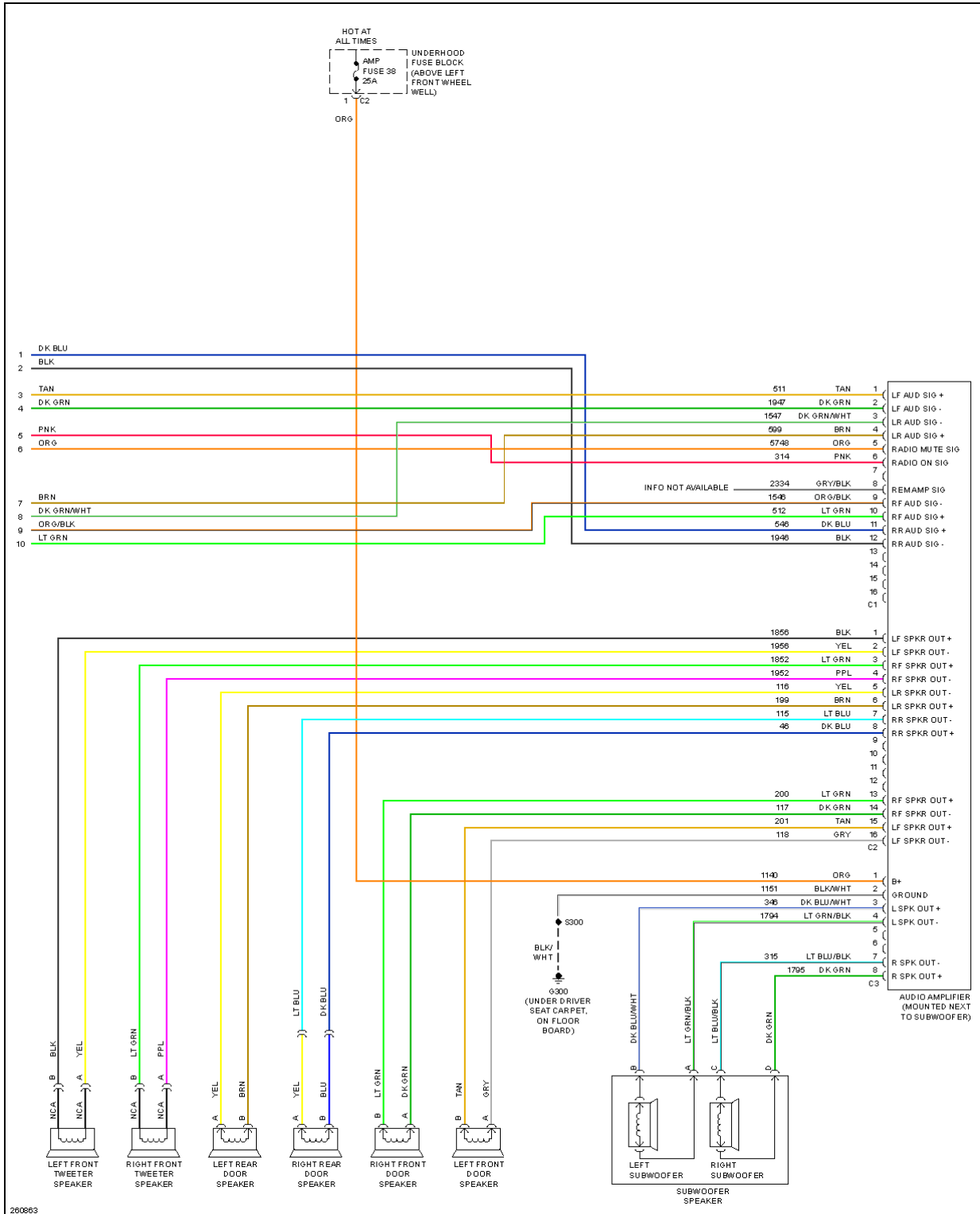


Fig. 47: Premium Radio Circuit (2 of 2)

2007 Hummer H3

2007 SYSTEM WIRING DIAGRAMS Hummer - H3

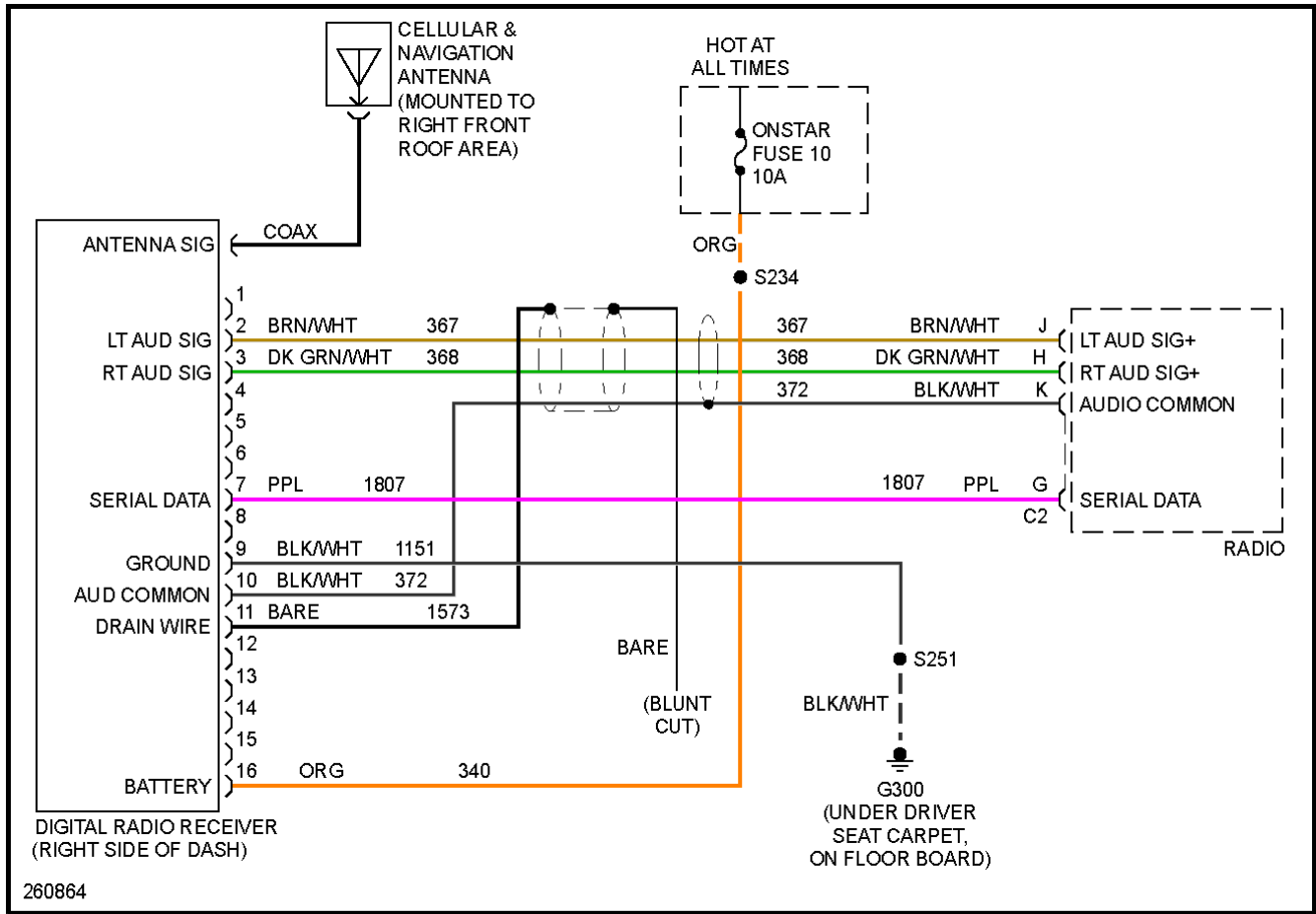


Fig. 48: Satellite Radio Circuit

SHIFT INTERLOCK

2007 Hummer H3

2007 SYSTEM WIRING DIAGRAMS Hummer - H3

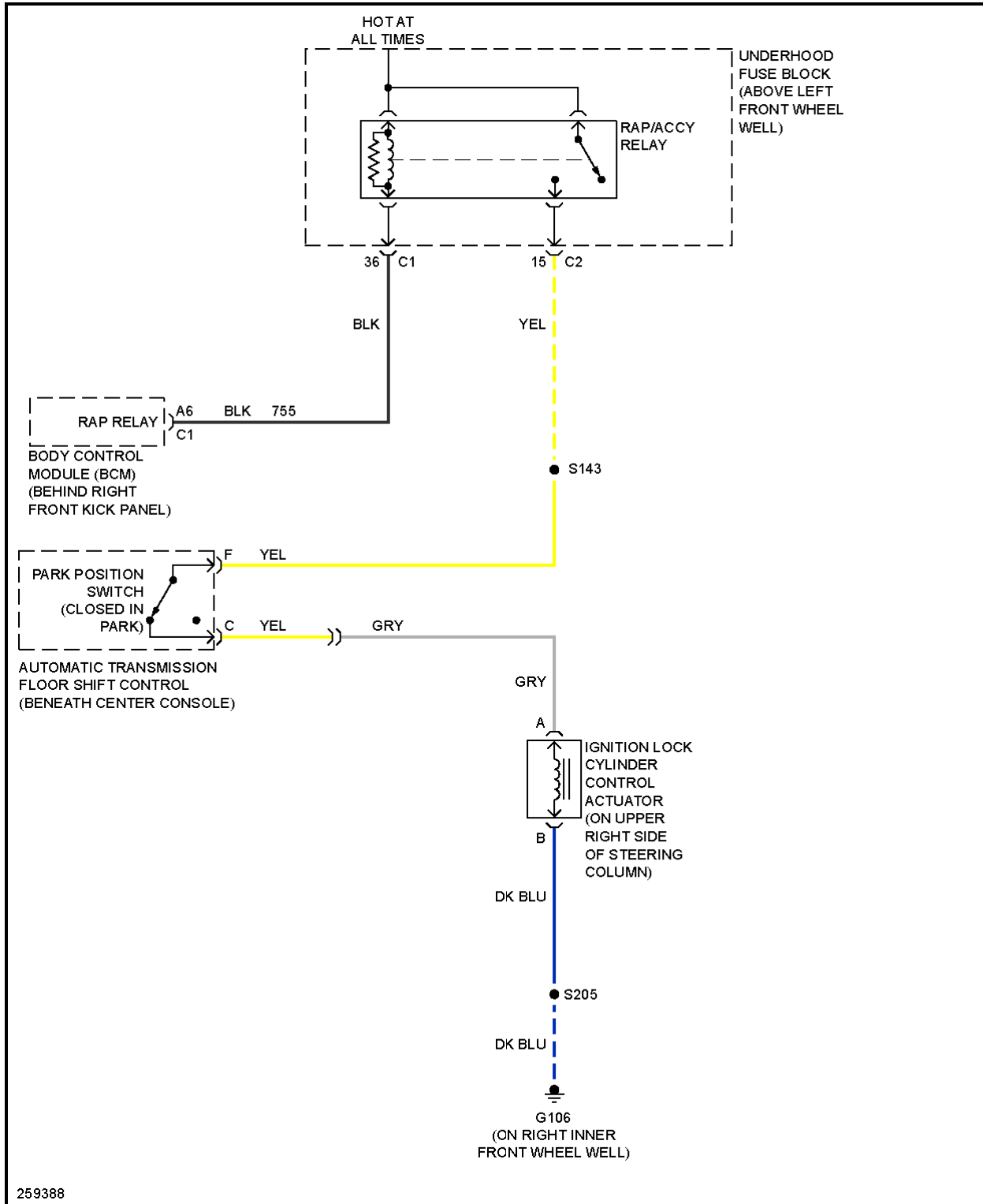


Fig. 49: Ignition Lock Solenoid Circuit

2007 Hummer H3

2007 SYSTEM WIRING DIAGRAMS Hummer - H3

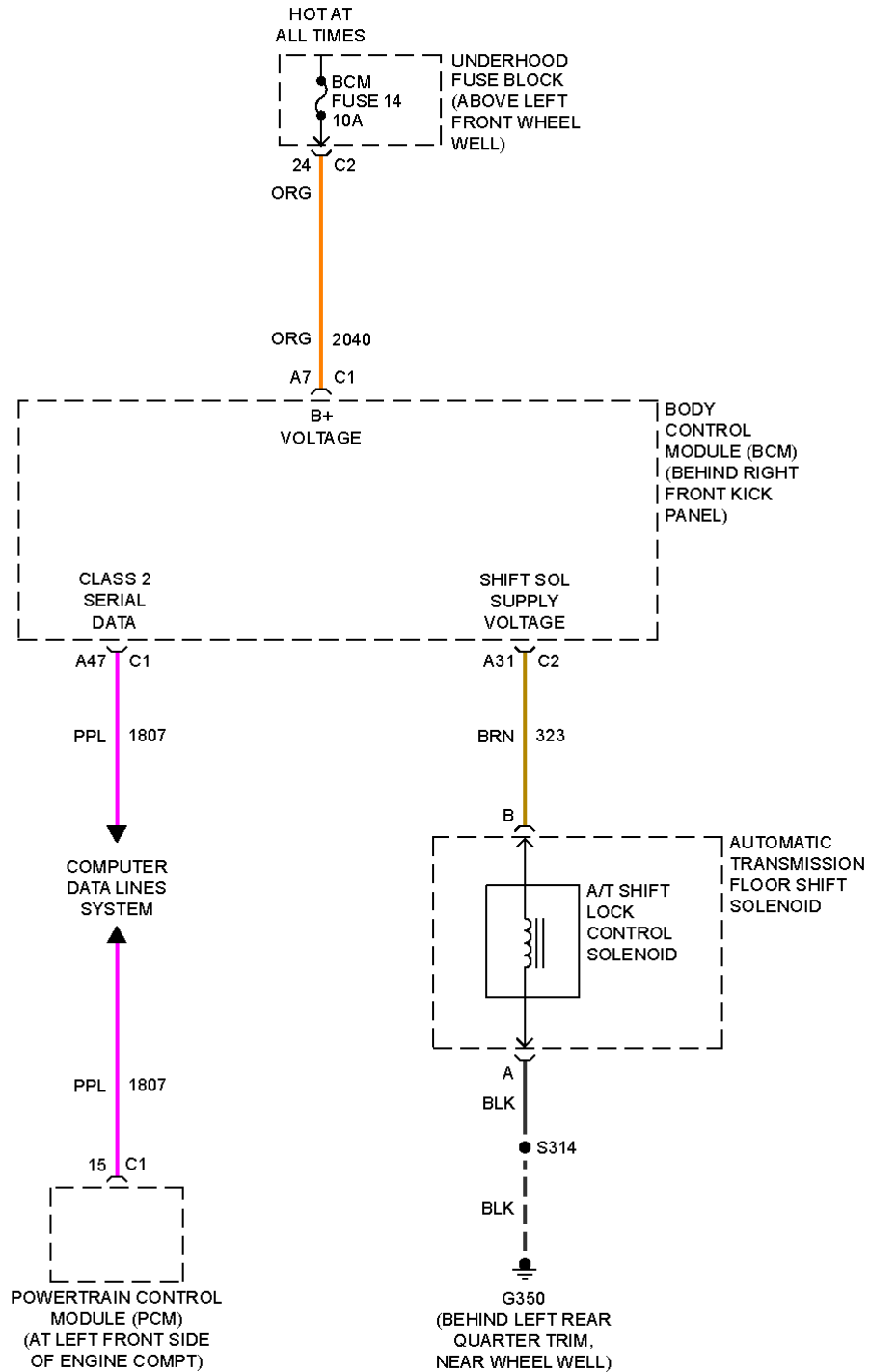


Fig. 50: Shift Interlock Circuit

STARTING/CHARGING

2007 Hummer H3

2007 SYSTEM WIRING DIAGRAMS Hummer - H3

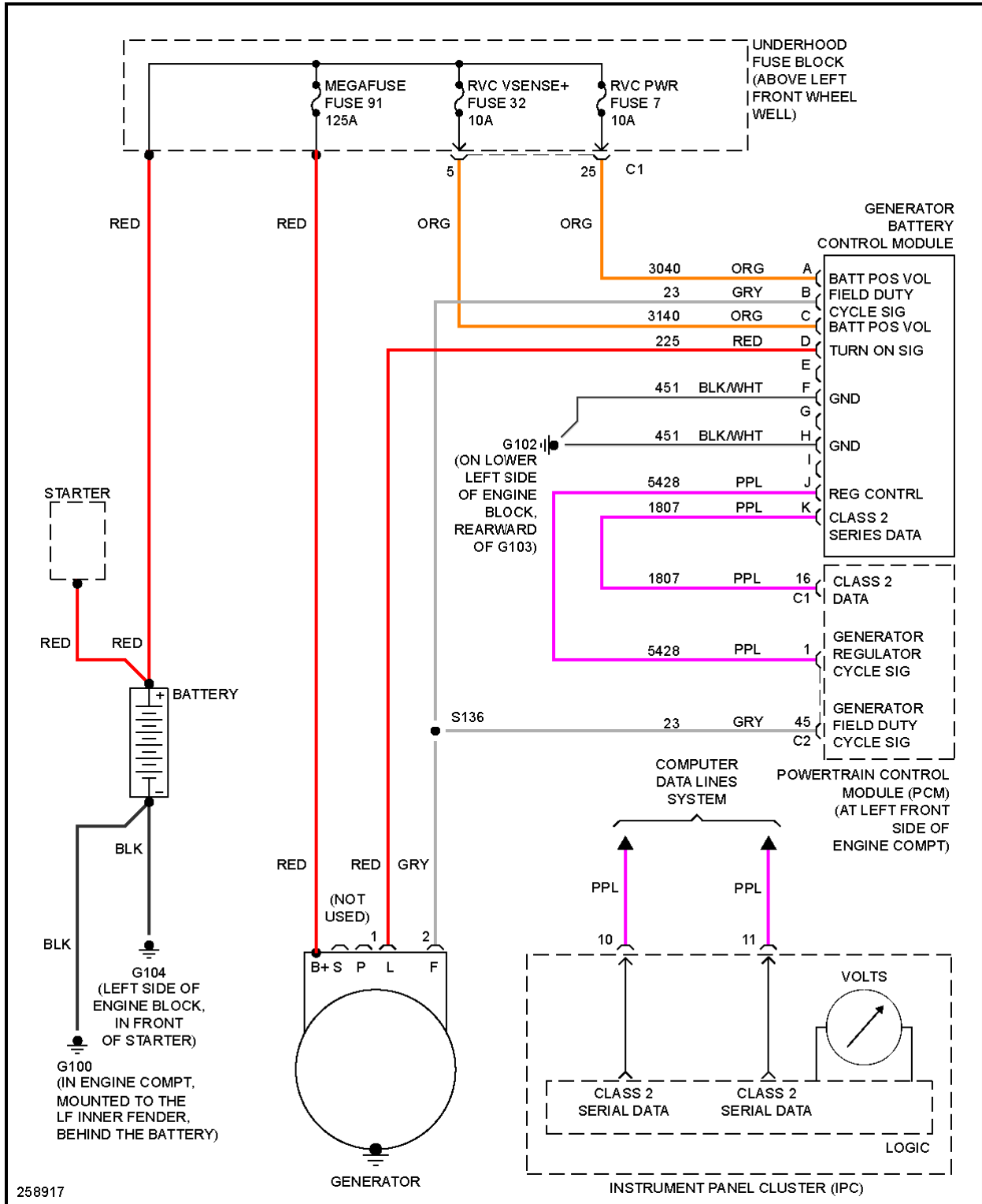


Fig. 51: Charging Circuit

2007 Hummer H3

2007 SYSTEM WIRING DIAGRAMS Hummer - H3

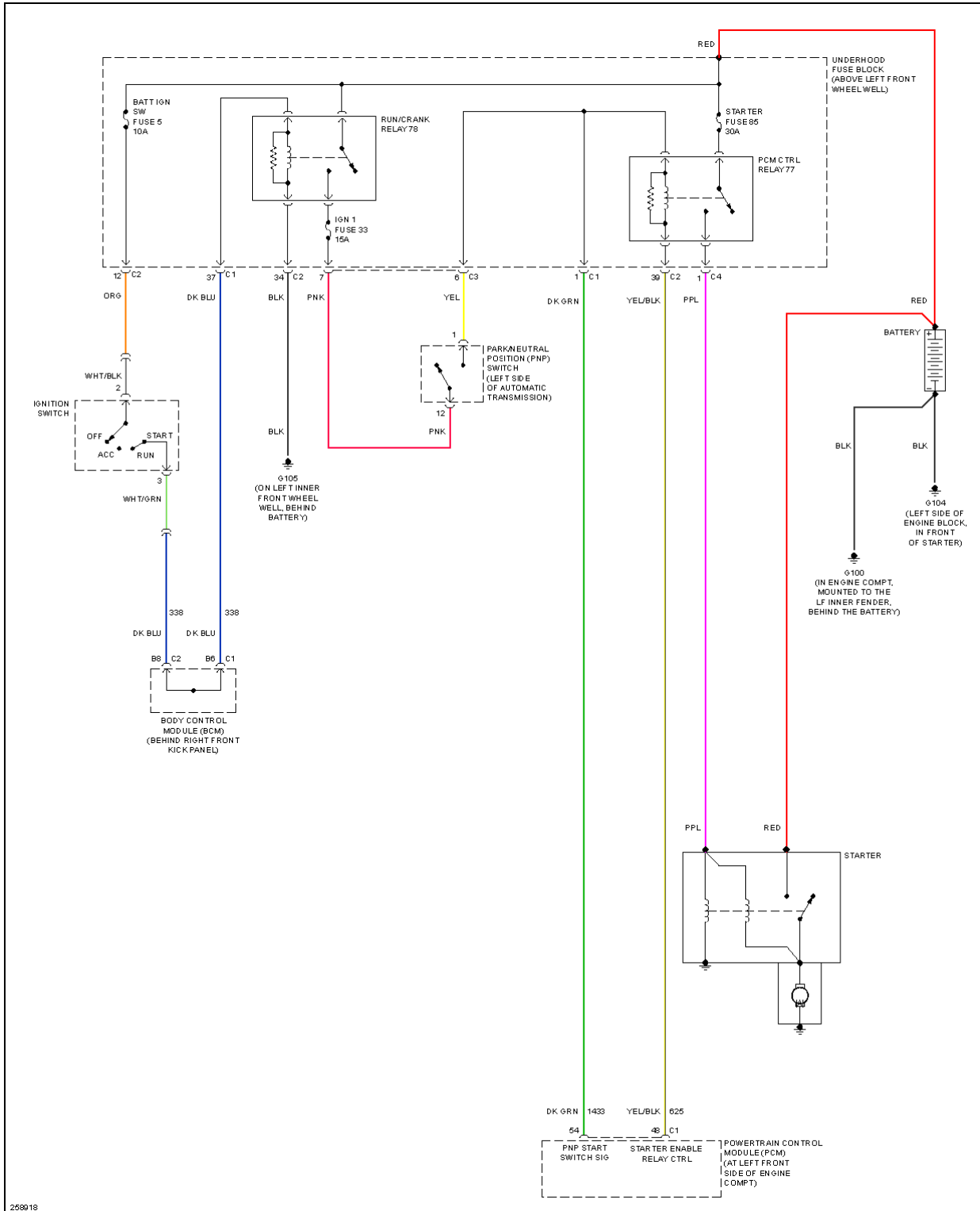


Fig. 52: Starting Circuit, A/T

2007 Hummer H3

2007 SYSTEM WIRING DIAGRAMS Hummer - H3

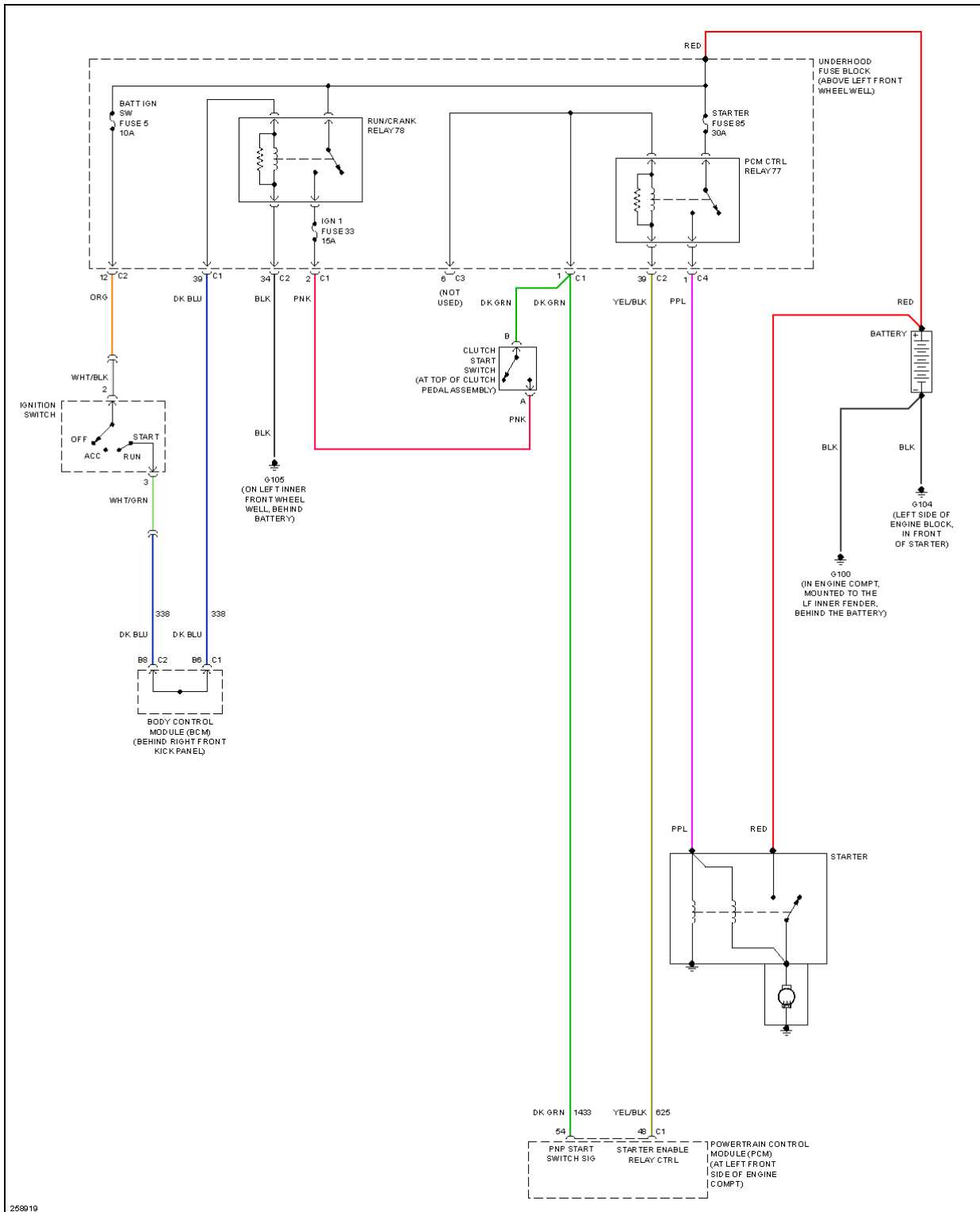


Fig. 53: Starting Circuit, M/T

SUPPLEMENTAL RESTRAINTS

2007 Hummer H3

2007 SYSTEM WIRING DIAGRAMS Hummer - H3

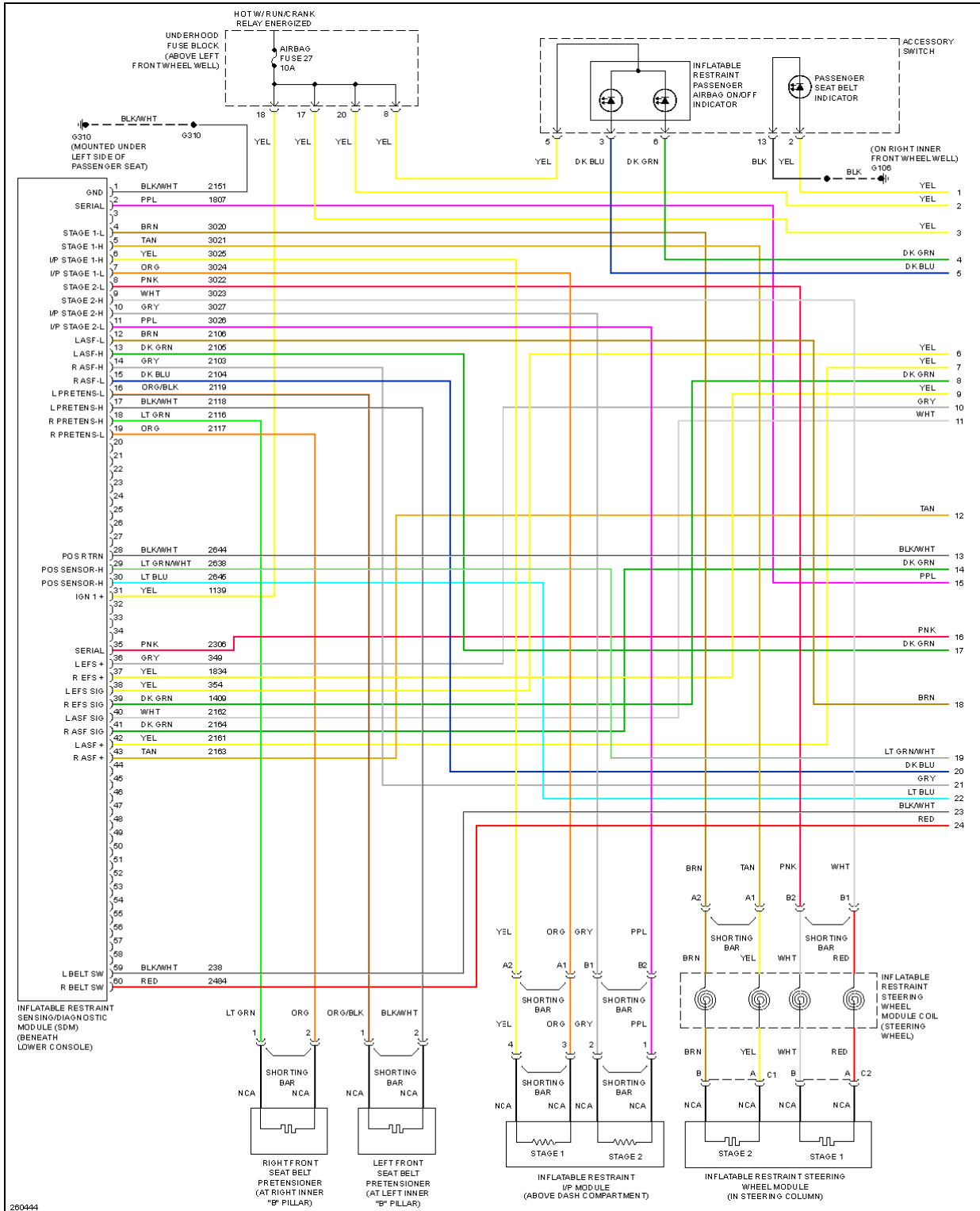


Fig. 54: Supplemental Restraints Circuit (1 of 2)

Fig. 55: Supplemental Restraints Circuit (2 of 2)

TRANSMISSION

Fig. 56: A/T Circuit

2007 Hummer H3

2007 SYSTEM WIRING DIAGRAMS Hummer - H3

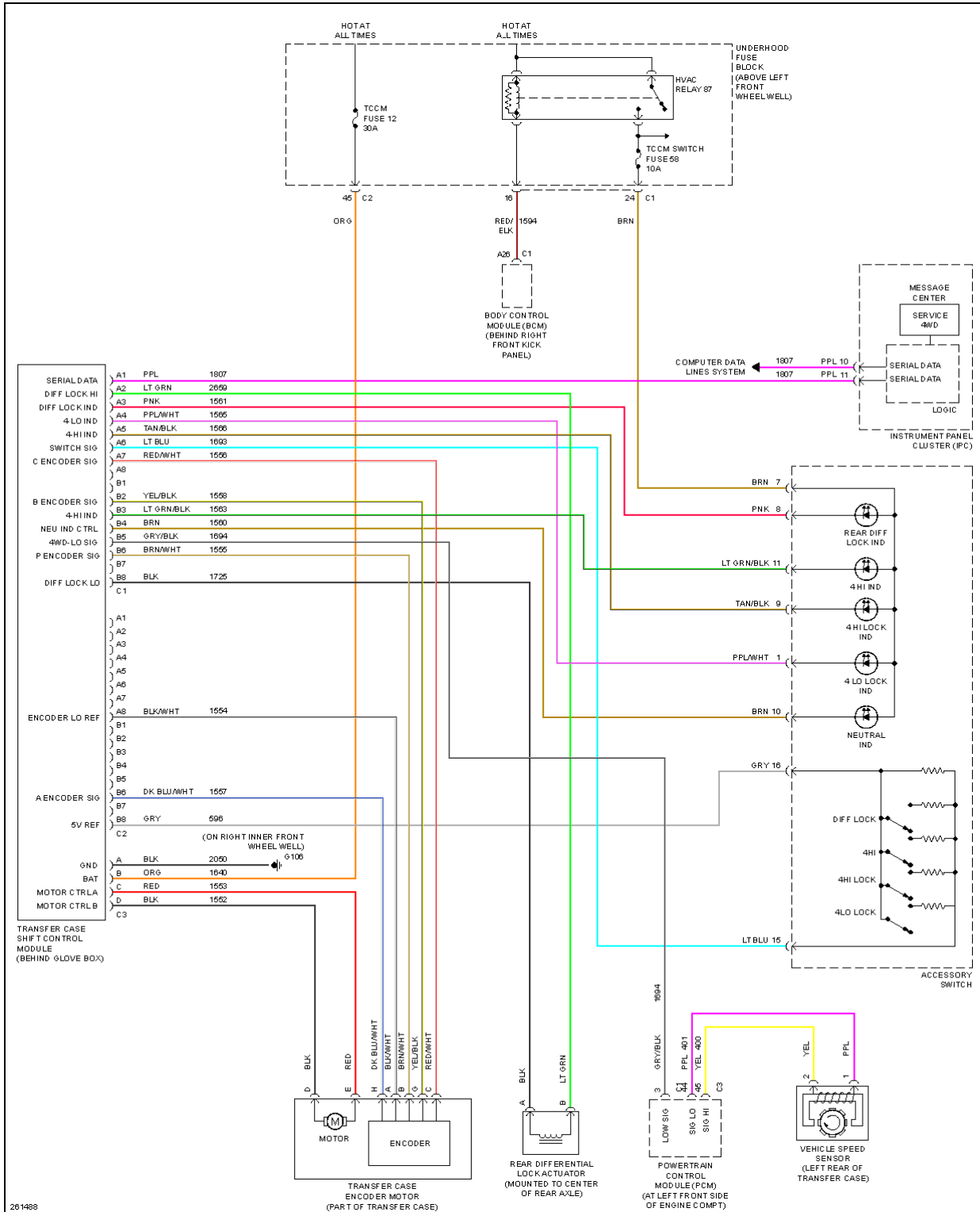


Fig. 57: Transfer Case Circuit

WARNING SYSTEMS

Fig. 58: Warning Systems Circuit

WIPER/WASHER

2007 Hummer H3

2007 SYSTEM WIRING DIAGRAMS Hummer - H3

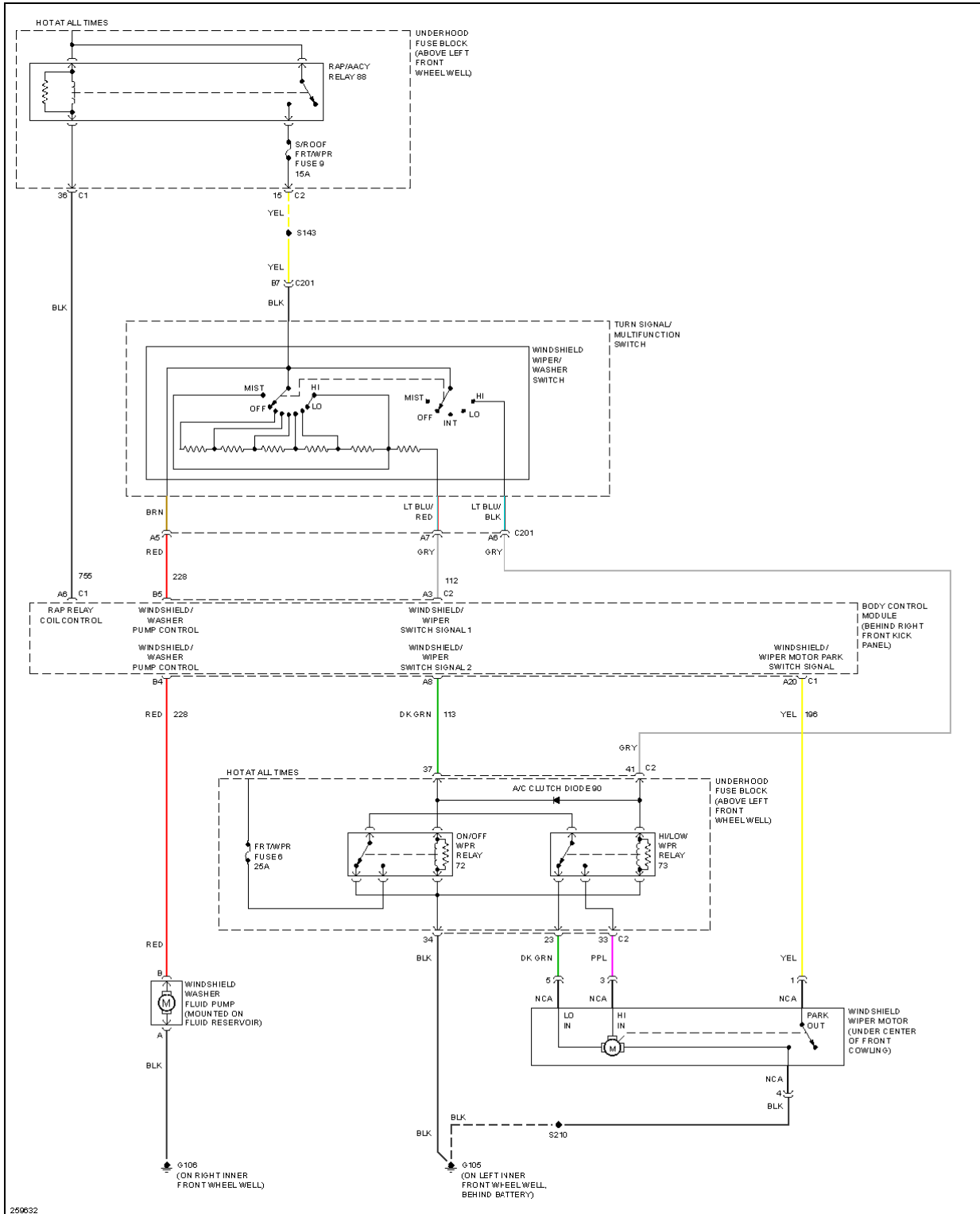


Fig. 59: Front Wiper/Washer Circuit

2007 Hummer H3

2007 SYSTEM WIRING DIAGRAMS Hummer - H3

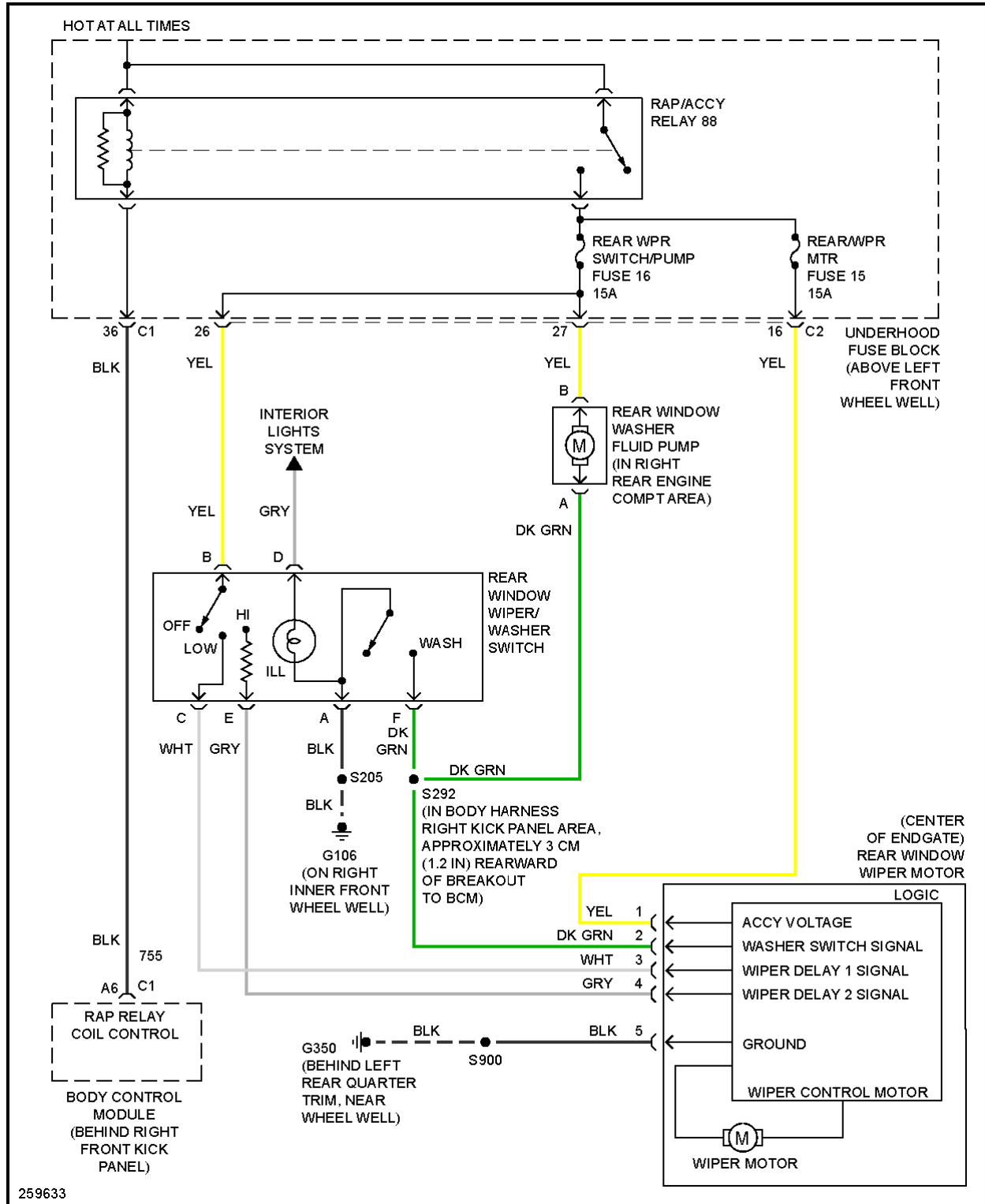


Fig. 60: Rear Wiper/Washer Circuit