

2007 Hummer H3

2007 ACCESSORIES & EQUIPMENT Bumpers and Fascias - H3

2007 ACCESSORIES & EQUIPMENT

Bumpers and Fascias - H3

SPECIFICATIONS

FASTENER TIGHTENING SPECIFICATIONS

Fastener Tightening Specifications

Application	Specification	
	Metric	English
Brush Guard Bolts - Lower Short Bolts	50 N.m	37 lb ft
Brush Guard Bolts - Upper Long Bolts	85 N.m	63 lb ft
Brush Guard Nuts	50 N.m	37 lb ft
Front Bumper Bolts	40 N.m	30 lb ft
Front Bumper Lower Bolts	50 N.m	37 lb ft
Front Bumper Upper Bolts	85 N.m	63 lb ft
Rear Bumper Bolts	32 N.m	24 lb ft
Rear Bumper Bracket to Bumper End Cap Nut	32 N.m	24 lb ft
Rear Bumper Bracket to Frame Bolts	85 N.m	63 lb ft
Rear Bumper Bracket to Trailer Hitch Nut	85 N.m	63 lb ft
Rear Bumper End Cap Nuts to Bumper	32 N.m	24 lb ft
Trailer Hitch Electrical Receptacle to Rear Bumper Bolts	32 N.m	24 lb ft
Trailer Hitch to Frame Bolts	100 N.m	74 lb ft

REPAIR INSTRUCTIONS

FRONT BUMPER REPLACEMENT

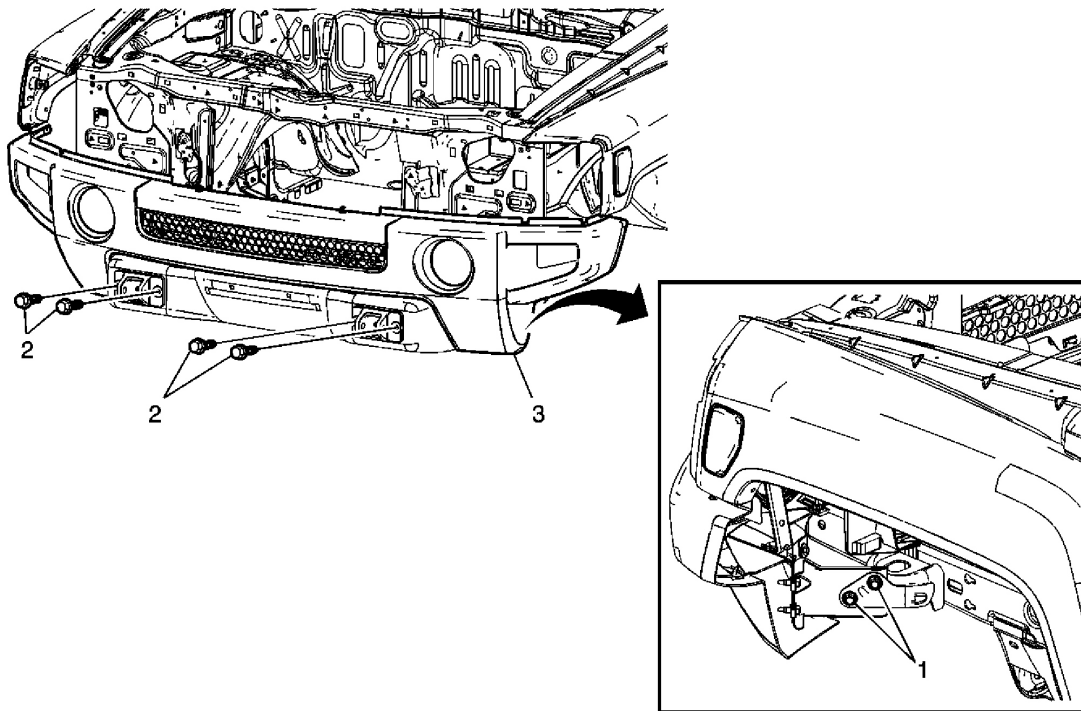


Fig. 1: Identifying Front Bumper & Fasteners
 Courtesy of GENERAL MOTORS CORP.

Front Bumper Replacement

Callout	Component Name
Preliminary Procedures	
1. Remove the front headlamp assemblies. Refer to <u>Headlamp Replacement</u> 2. Remove the engine shield. Refer to <u>Engine Shield Replacement</u> 3. Remove the front wheelhouse panels. Refer to <u>Wheelhouse Panel Replacement (Front)</u> or <u>Wheelhouse Panel Replacement (Rear)</u>	
1	Front Bumper Bracket Bolts to Frame (Qty: 4) NOTE: Refer to <u>Fastener Notice</u> . Tighten: 40 N.m (30 lb ft)
2	Tow Hook Bracket Bolts (Qty: 4) Tighten: 85 N.m (63 lb ft)

3

Front Bumper

Tip: Disconnect any electrical connectors before attempting to remove the bumper assembly.

FRONT BUMPER INTERMEDIATE FILLER REPLACEMENT

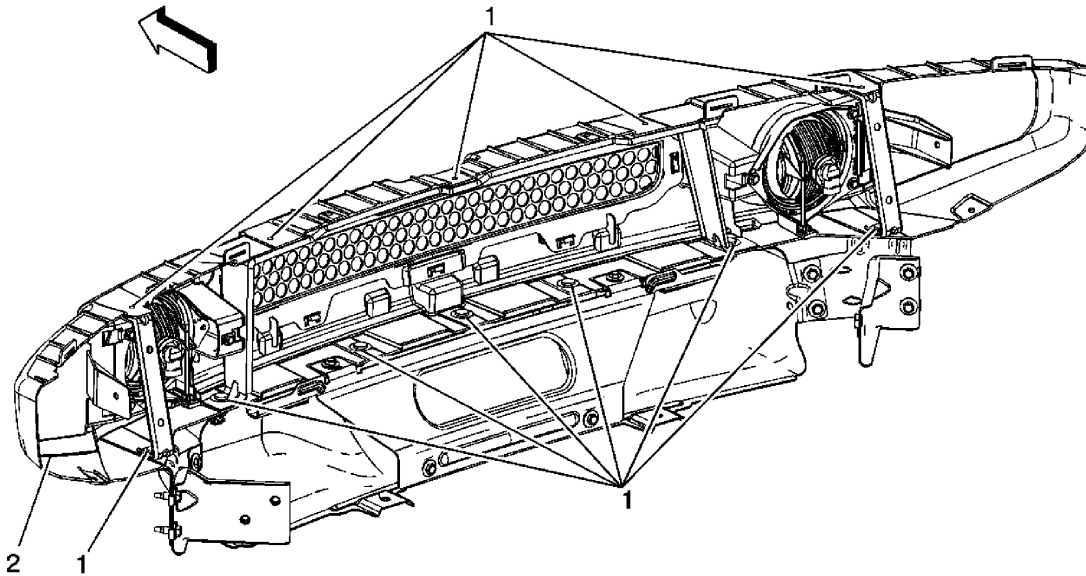


Fig. 2: Identifying Front Bumper Intermediate Filler & Fasteners
 Courtesy of GENERAL MOTORS CORP.

Front Bumper Intermediate Filler Replacement

Callout	Component Name
Preliminary Procedure: Remove the front bumper. Refer to Front Bumper Fascia Replacement .	
1	Front Bumper Intermediate Filler Bracket Bolts (Qty: 12) NOTE: Refer to Fastener Notice . Tighten: 7 N.m (62 lb in)
2	Front Bumper Intermediate Filler Tip: Transfer the fog lamp assemblies and any brackets as needed.

FRONT BUMPER IMPACT BAR BRACKET REPLACEMENT

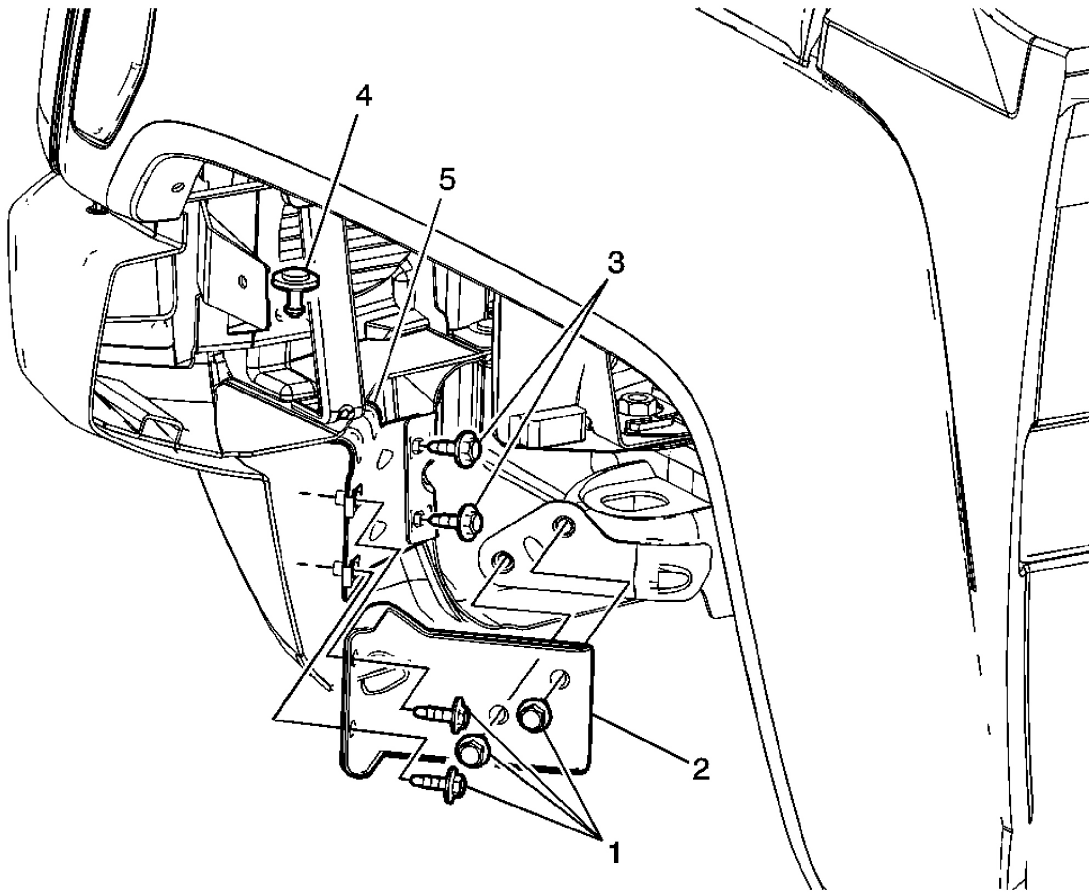


Fig. 3: Bracket Replacement - Front Bumper
 Courtesy of GENERAL MOTORS CORP.

Front Bumper Impact Bar Bracket Replacement

Callout	Component Name
Preliminary Procedures	
1. Remove the front bumper. Refer to <u>Front Bumper Fascia Replacement</u> . 2. Remove the front wheelhouse liner. Refer to <u>Wheelhouse Panel Replacement (Front)</u> or <u>Wheelhouse Panel Replacement (Rear)</u> .	
1	Front Bumper Bracket Outer Bolt (Qty: 4) NOTE: Refer to <u>Fastener Notice</u> . Tighten: 40 N.m (40 lb ft)

2007 Hummer H3

2007 ACCESSORIES & EQUIPMENT Bumpers and Fascias - H3

2	Front Bumper Bracket Outer Bracket
3	Front Bracket Inner Bolt (Qty: 2) Tighten: 40 N.m (30 lb ft)
4	Fascia Support to Inner Bumper Bracket Retainer
5	Front Bumper Bracket Inner

FRONT BUMPER FASCIA REPLACEMENT

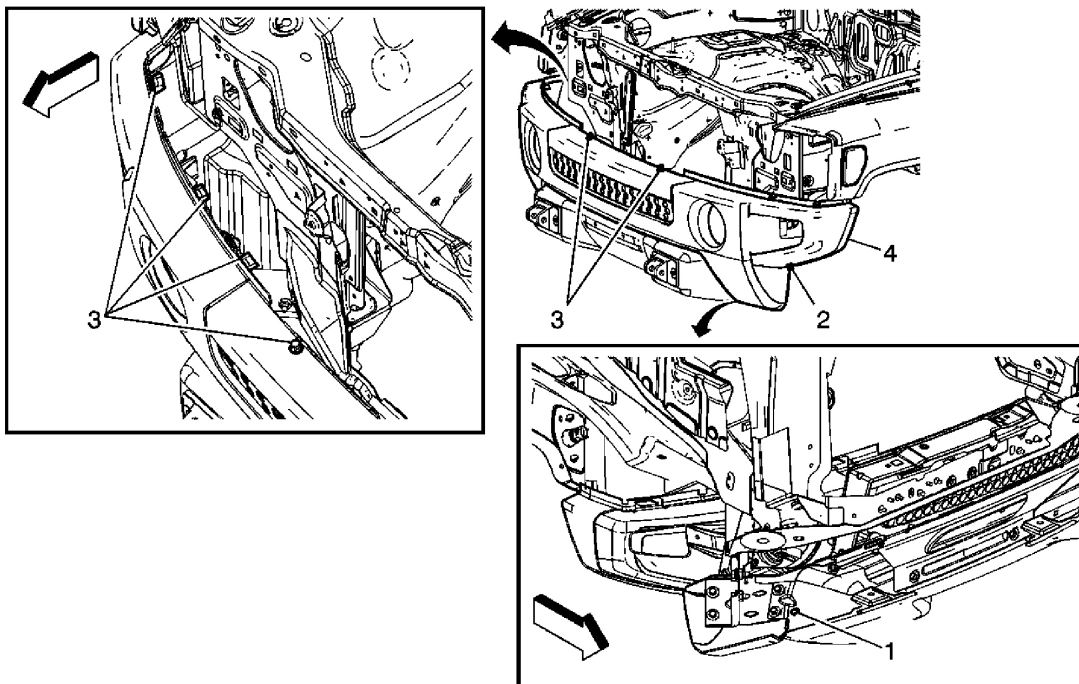


Fig. 4: Replacing Front Bumper Fascia
 Courtesy of GENERAL MOTORS CORP.

Front Bumper Fascia Replacement

Callout	Component Name
Preliminary Procedure: Remove radiator grille reinforcement support. Refer to <u>Radiator Grille Reinforcement Support Replacement</u> .	
1	Front Fascia Plastic Retainer (Qty: 2)
2	Front Fascia Plastic Retainer (Qty: 2)
3	Front Fascia Plastic Retainer (Qty: 2) Tip: Use a small flat-bladed screwdriver to remove the six metal retaining

	clips on the top of the fascia to disengage it from the intermediate filler.
4	<p>Front Fascia</p> <p>Tip: The lower portion of the fascia is held in place by several plastic tabs that engage in slots in the bumper intermediate filler. Use firm pressure to disengage but be careful not to damage the front fascia while removing it.</p>

REAR BUMPER EXTENSION REPLACEMENT

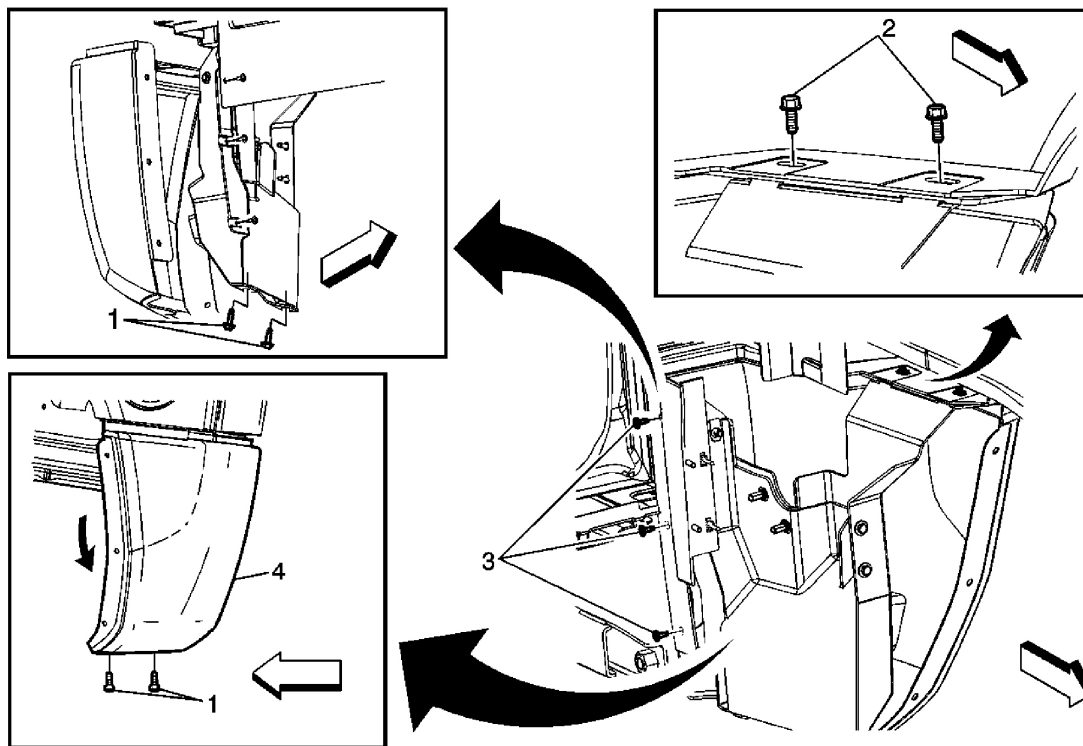


Fig. 5: Replacing Rear Bumper Extension
 Courtesy of GENERAL MOTORS CORP.

Rear Bumper Extension Replacement

Callout	Component Name
Preliminary Procedures	
<ol style="list-style-type: none"> 1. Remove the rear inner wheelhouse panel. Refer to <u>Wheelhouse Panel Replacement (Front)</u> or <u>Wheelhouse Panel Replacement (Rear)</u> . 2. Remove the rear bumper. Refer to <u>Rear Bumper Impact Bar Replacement</u>. 	
	Filler Extension Rear Bumper Screw (Qty: 3)

2007 Hummer H3

2007 ACCESSORIES & EQUIPMENT Bumpers and Fascias - H3

	NOTE: Refer to <u>Fastener Notice</u> .
1	Tip: Open the endgate to access the inside upper bumper extension filler screw. Tighten: 2 N.m (18 lb in)
2	Extension Rear Bumper Filler Lower Bolt (Qty: 2) Tighten: 9 N.m (80 lb in)
3	Wheelhouse Opening Flare Bolt (Qty: 2) Tighten: 9 N.m (80 lb in)
4	Extension Rear Bumper Filler (Qty: 1) Tip: Pull front edge outward from under wheel opening flare and push filler extension rearward to remove.

REAR BUMPER IMPACT BAR REPLACEMENT

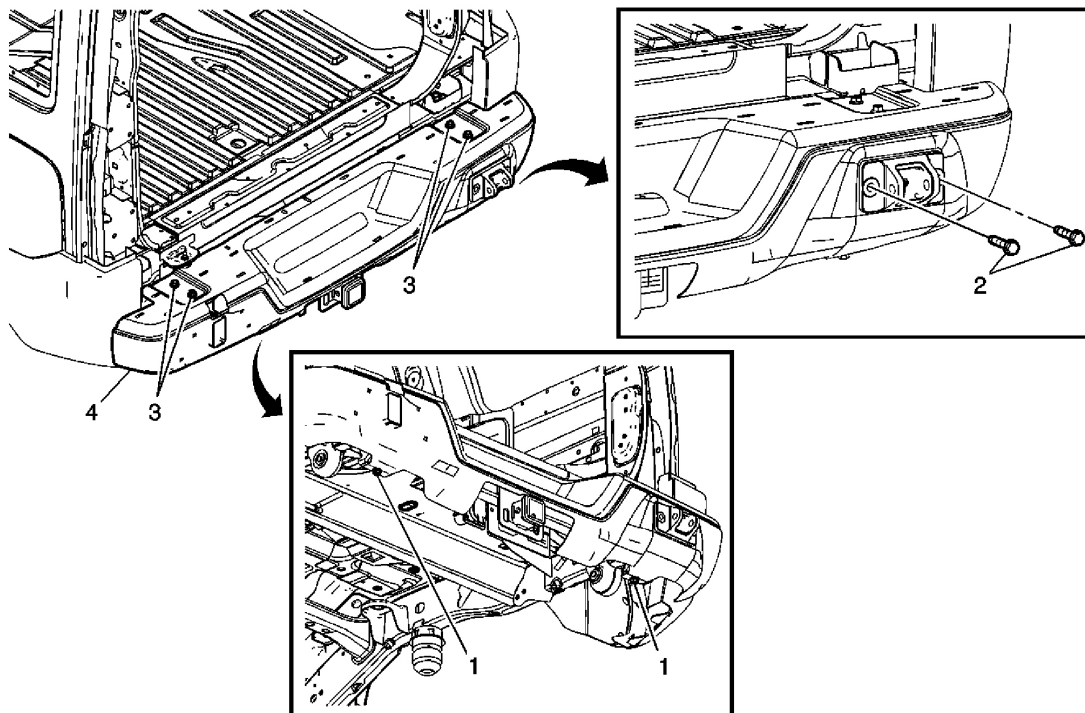


Fig. 6: View Of Rear Bumper Impact Bar Components

2007 Hummer H3

2007 ACCESSORIES & EQUIPMENT Bumpers and Fascias - H3

Courtesy of GENERAL MOTORS CORP.

Rear Bumper Impact Bar Replacement

Callout	Component Name
Preliminary Procedure: Remove the rear bumper step pad. Refer to <u>Rear Bumper Step Pad Replacement</u> .	
1	Rear Bumper Impact Bar Bolts (Qty: 2) NOTE: Refer to <u>Fastener Notice</u> . Tighten: 1 N.m (1 lb ft)
2	Front Tow Hook Bracket Bolts (Qty: 2) Tighten: 100 N.m (74 lb ft)
3	Rear Bumper Impact Bar Bolts (Qty: 4) Tighten: 1 N.m (1 lb ft)
4	Rear Bumper Impact Bar Tip: Disconnect any electrical connectors before attempting to remove the rear bumper impact bar.

REAR BUMPER STEP PAD REPLACEMENT

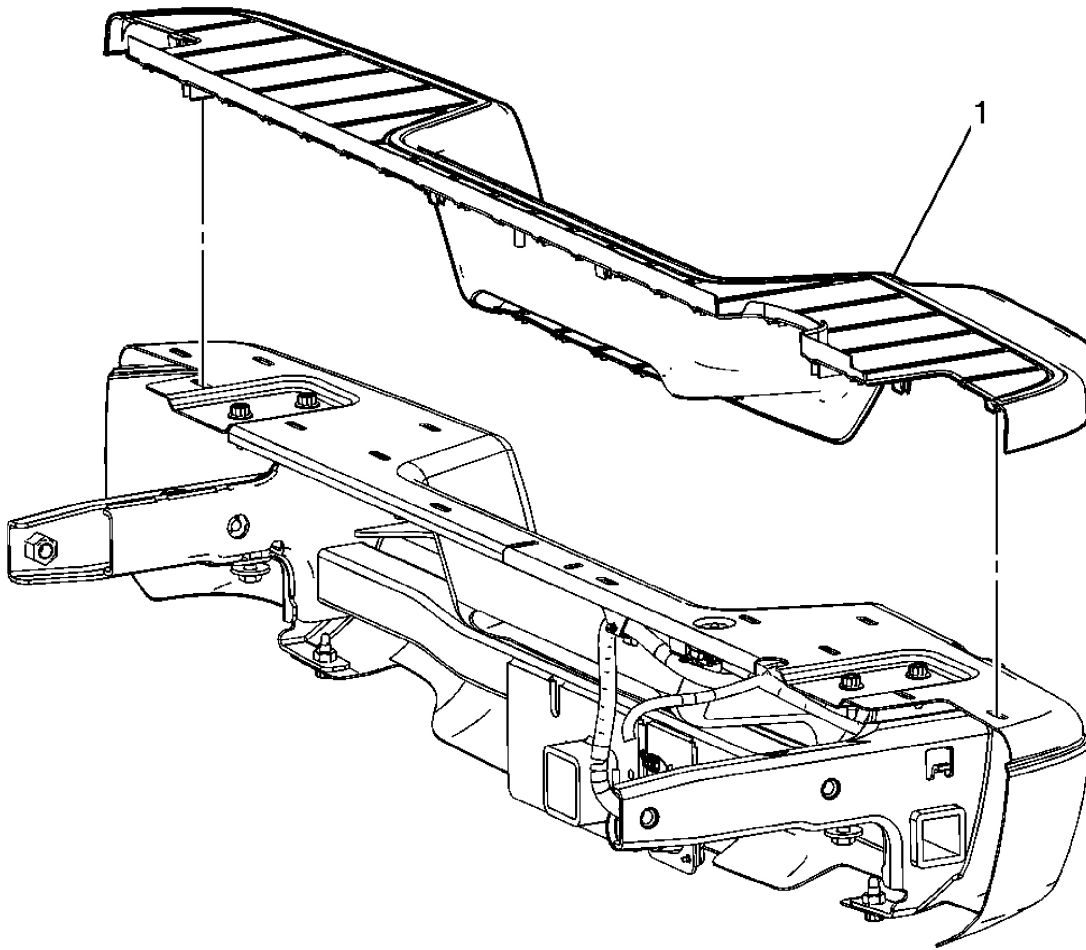


Fig. 7: Step Pad Replacement - Rear Bumper
 Courtesy of GENERAL MOTORS CORP.

Rear Bumper Step Pad Replacement

Callout	Component Name
1	Rear Bumper Pad Tip: Reach under the rear bumper assembly to access the retaining tabs and squeeze them while lifting on the pad to release it from the bumper assembly.