

## 2007 Hummer H3

2007 ACCESSORIES & EQUIPMENT Bolted Exterior Body Panels and Closures - H3

### 2007 ACCESSORIES & EQUIPMENT

#### Bolted Exterior Body Panels and Closures - H3

## SPECIFICATIONS

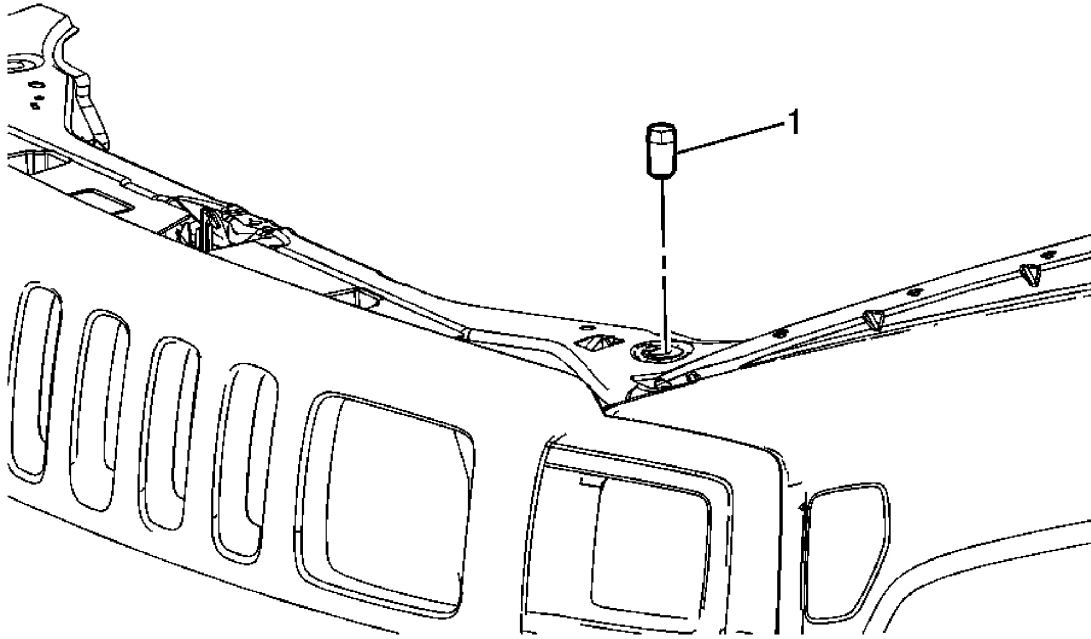
### FASTENER TIGHTENING SPECIFICATIONS

#### Fastener Tightening Specifications

Application	Specification	
	Metric	English
Check Link Bolt	25 N.m	18 lb ft
Check Strap Nuts	9 N.m	80 lb in
Endgate Assist Rod Stud	10 N.m	89 lb in
Endgate Hinge Bolt	50 N.m	37 lb ft
Fender Mount Bolts	10 N.m	89 lb in
Front Side Door Hinge Bolts	25 N.m	18 lb ft
Grille Support Bolts	9 N.m	27 lb in
Hood Hinge Bolts	25 N.m	18 lb ft
Hood Latch Release Screws	2 N.m	18 lb in
Hood Latch Screws	10 N.m	89 lb in
Rear Side Door Hinge Bolts	25 N.m	18 lb ft

## REPAIR INSTRUCTIONS

### HOOD BUMPER REPLACEMENT



**Fig. 1: Hood Bumper Replacement**  
 Courtesy of GENERAL MOTORS CORP.

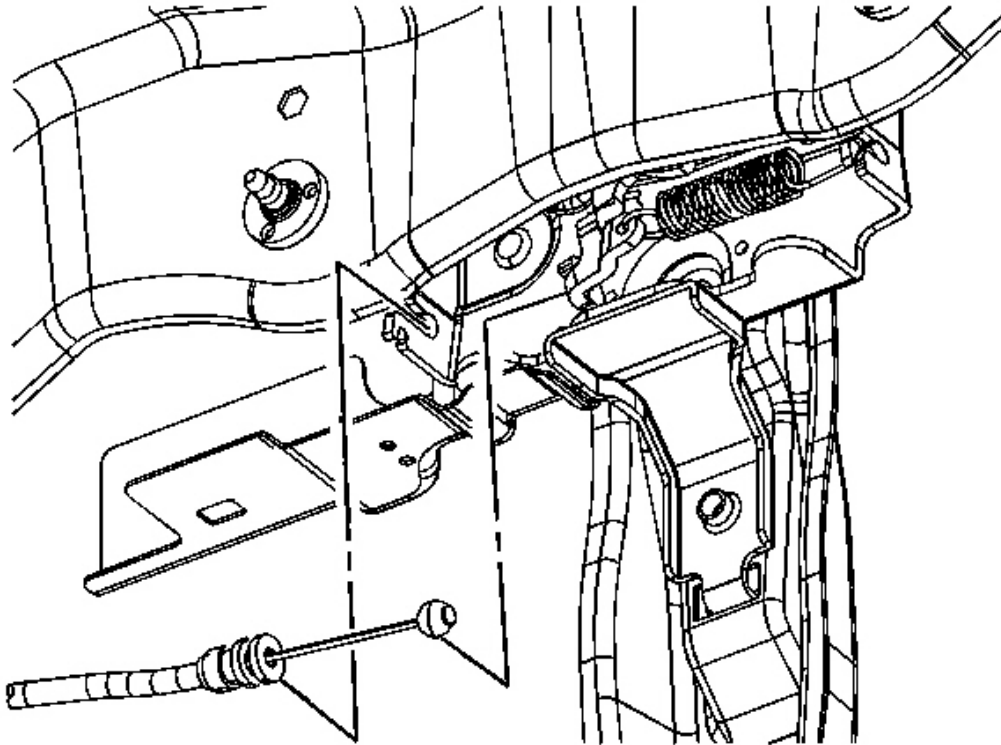
**Hood Bumper Replacement**

Callout	Component Name
<b>Fastener Tightening Specifications:</b> Refer to <u>Fastener Tightening Specifications</u> .	
1	Bumper, Hood Bumper <b>Tip:</b> Adjust bumper as necessary.

**HOOD PRIMARY LATCH RELEASE CABLE REPLACEMENT**

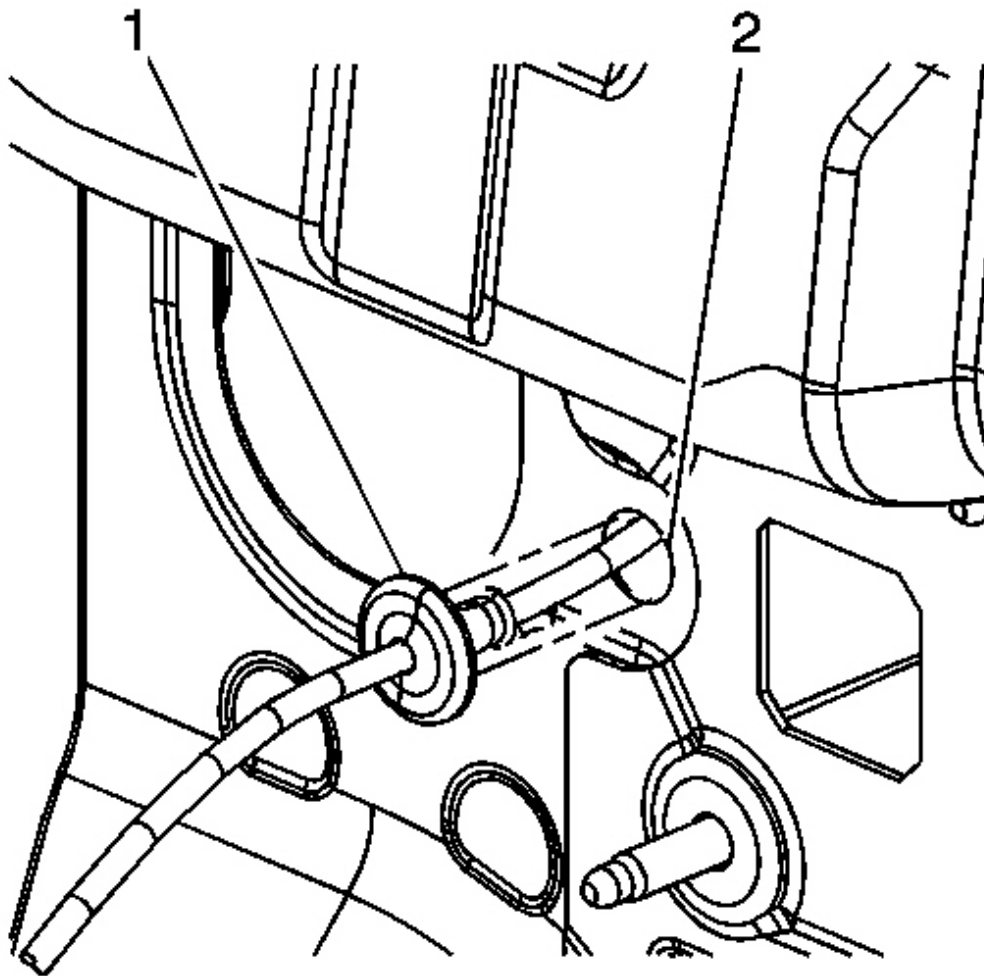
**Removal Procedure**

1. Remove the grille. Refer to Grille Replacement .
2. Remove the hood latch. Refer to Hood Latch Replacement.



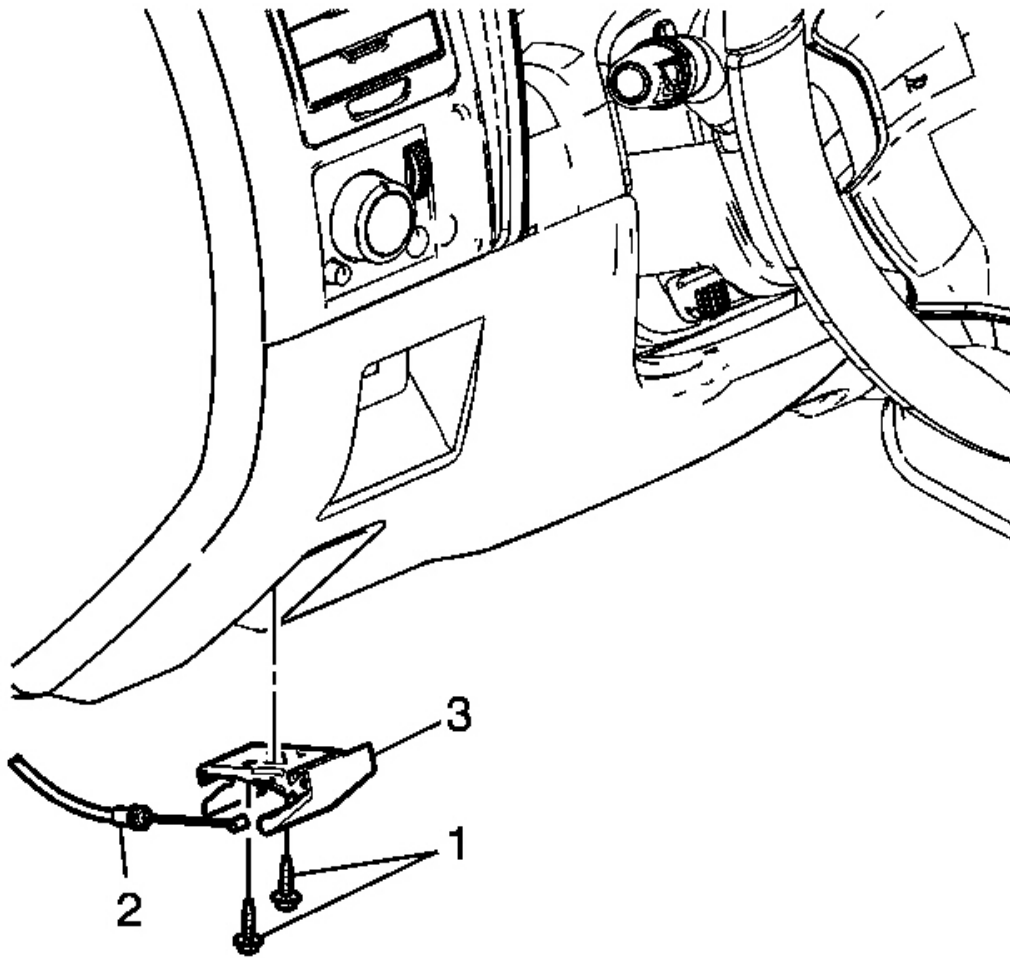
**Fig. 2: View Of Hood Latch Cable**  
**Courtesy of GENERAL MOTORS CORP.**

3. Release the hood latch release cable from the hood latch assembly.
4. Attach a length of mechanic's wire to the exterior end of the cable and note the routing of the cable for later installation.
5. Release the retainers securing the cable to the inner fender and the radiator support.



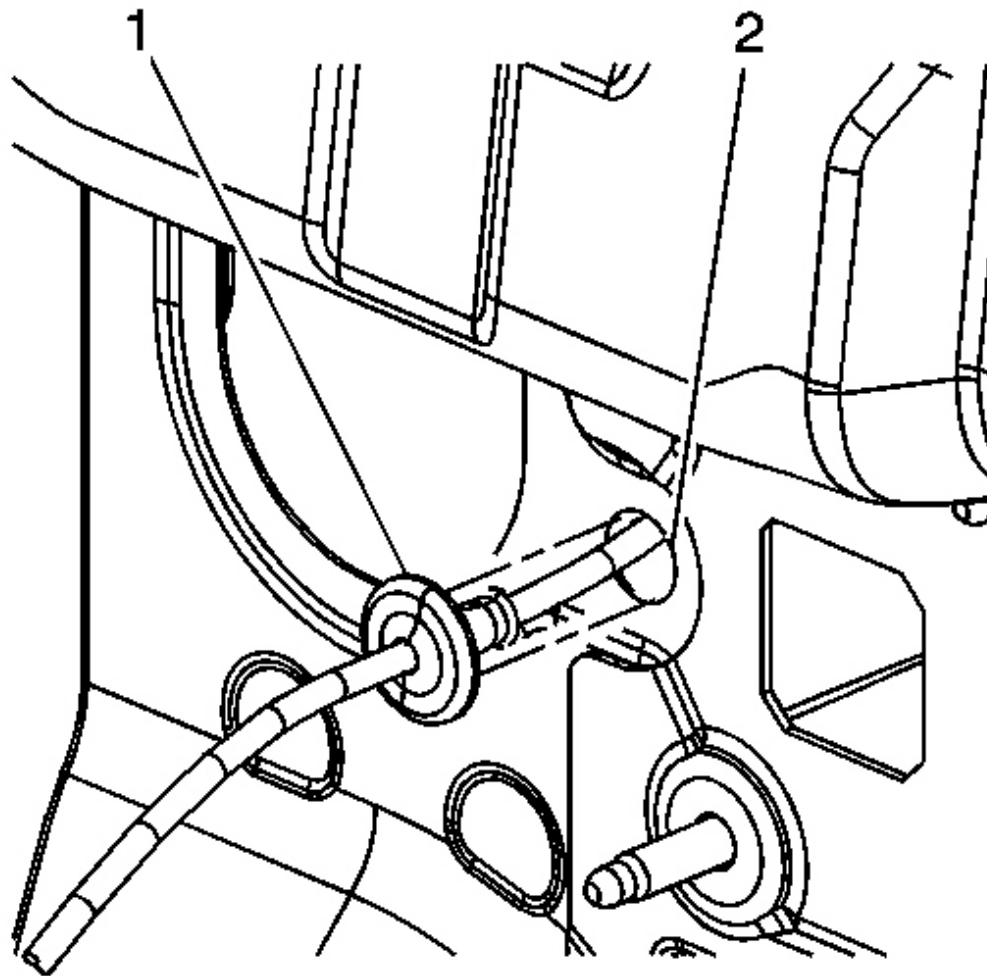
**Fig. 3: View Of Hood Latch Cable Routing**  
Courtesy of GENERAL MOTORS CORP.

6. Push the cable grommet (1) through the cowl panel and into the interior of the vehicle.



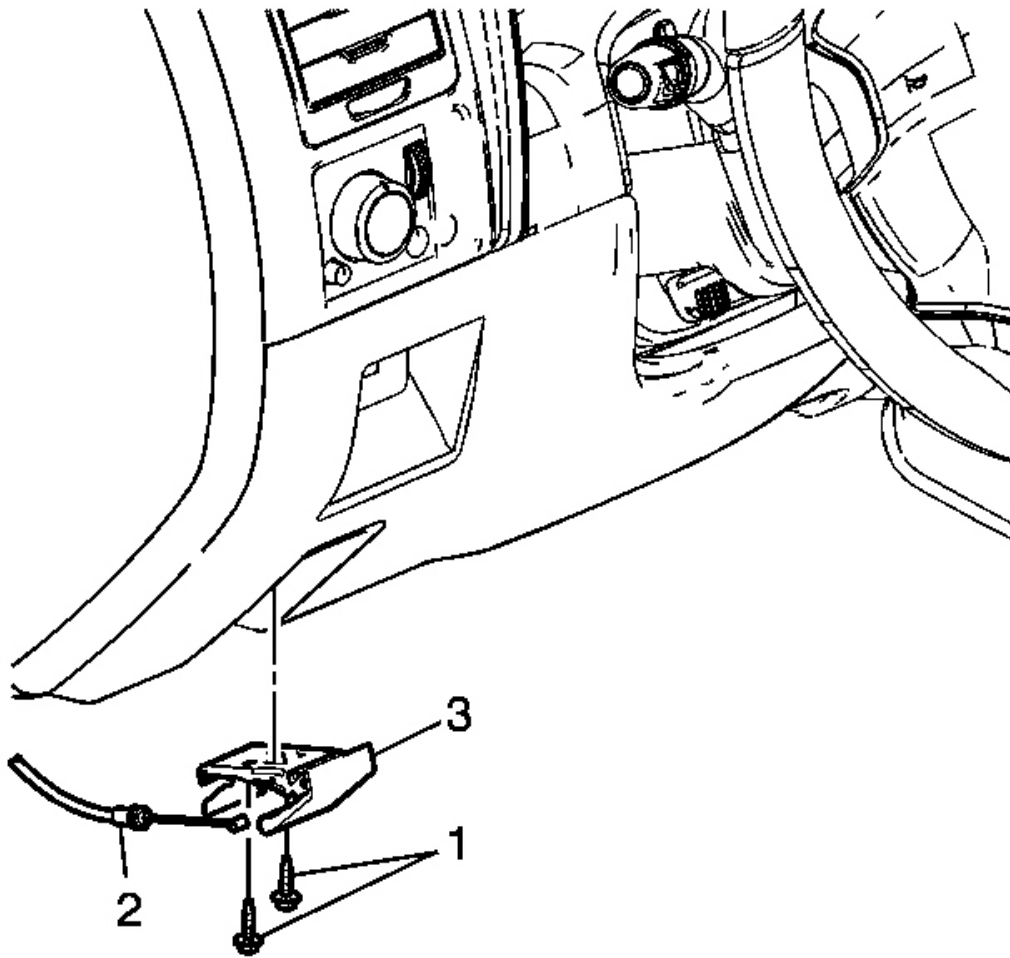
**Fig. 4: Identifying Hood Release Handle**  
Courtesy of GENERAL MOTORS CORP.

7. Remove the screws (1) attaching the hood release handle to the knee bolster.
8. Pull the cable the rest of the way through the cowl panel and out from behind the sound insulation.
9. Detach the mechanic's wire from the cable, leaving the wire in position for aid in installation of the cable.
10. Remove the cable from the vehicle.



**Fig. 5: View Of Hood Latch Cable Routing**  
**Courtesy of GENERAL MOTORS CORP.**

1. Attach the mechanic's wire to the exterior end of the cable.
2. Using the mechanic's wire as an aid, guide the cable underneath the sound insulation and pass the exterior portion of the cable through the cowl panel.
3. Seat the cable grommet (1) to the cowl panel.



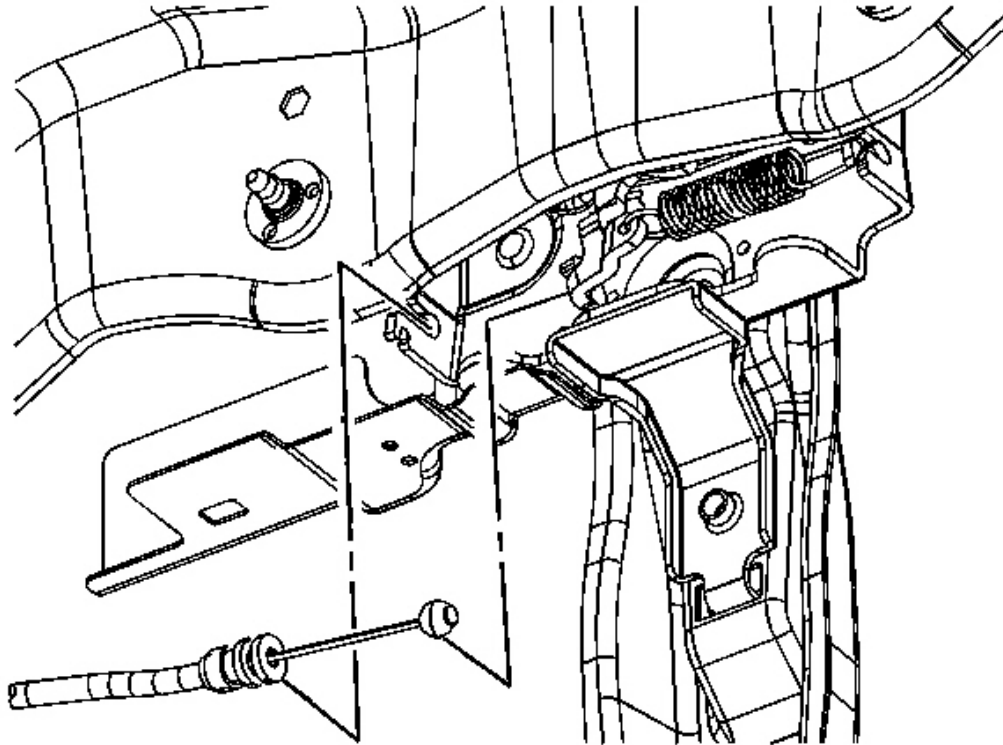
**Fig. 6: Identifying Hood Release Handle**  
Courtesy of GENERAL MOTORS CORP.

4. Install the release handle (3) to the knee bolster.

**NOTE:** Refer to Fastener Notice .

5. Install the screws that retain the release handle to the knee bolster.

**Tighten:** Tighten the bolts to 2 N.m (18 lb in).



**Fig. 7: View Of Hood Latch Cable**  
Courtesy of GENERAL MOTORS CORP.

6. Route the cable as previously noted.
7. Attach the cable to the retainers on the inner fender.
8. Install the cable to the hood latch assembly.
9. Install the hood latch. Refer to **Hood Latch Replacement**.
10. Install the grille. Refer to **Grille Replacement** .

#### **DOOR HARDWARE LUBRICATION**

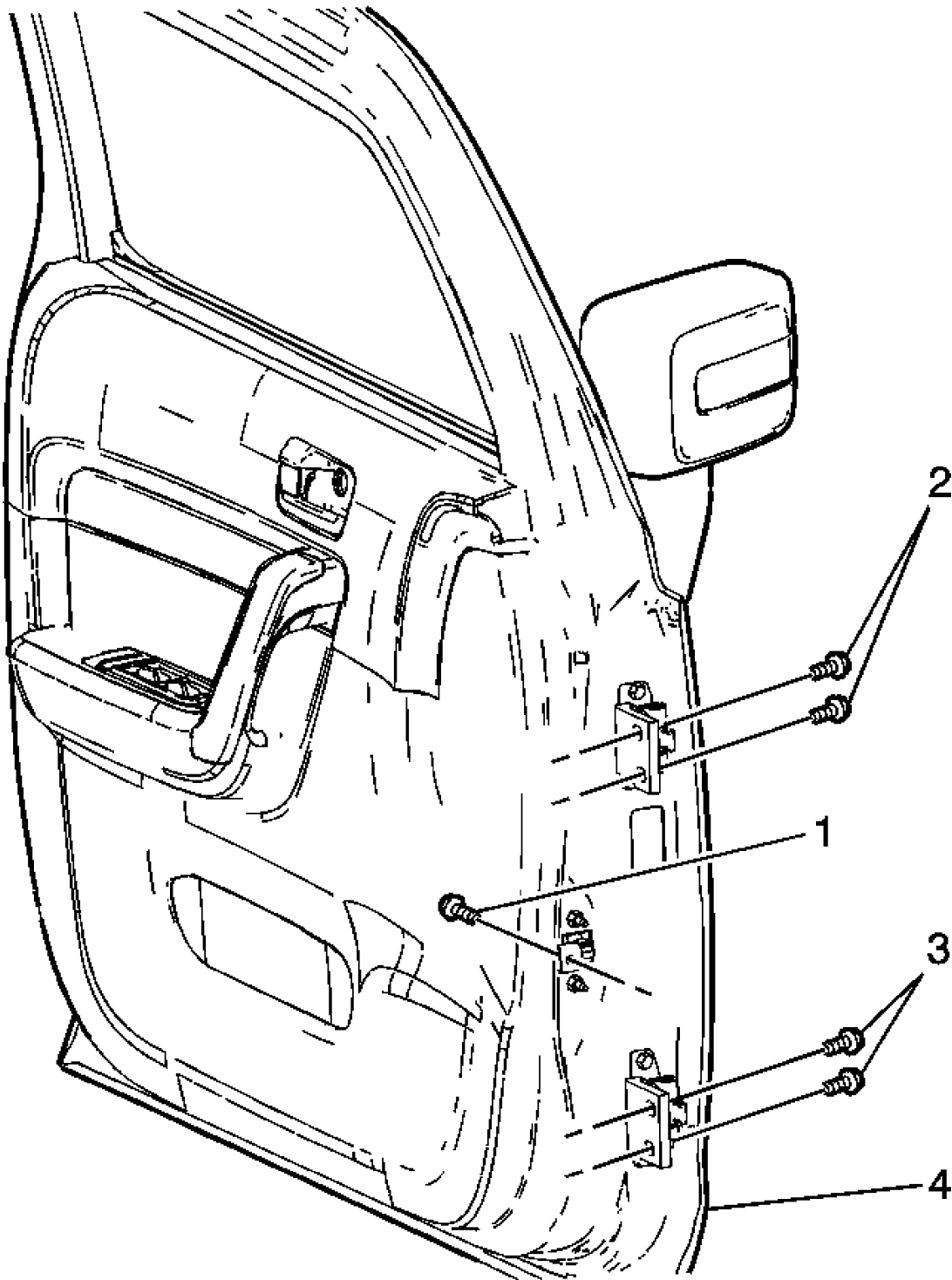
The mechanical components of the door assembly receive lubrication during the assembly. If any door hardware mechanism needs additional lubrication, use multi-purpose lubricant GM P/N 12346241 or Canadian P/N 10953474 or equivalent.

#### **FRONT SIDE DOOR REPLACEMENT**



2007 Hummer H3

2007 ACCESSORIES & EQUIPMENT Bolted Exterior Body Panels and Closures - H3



**Fig. 8: Front Side Door Replacement**  
Courtesy of GENERAL MOTORS CORP.

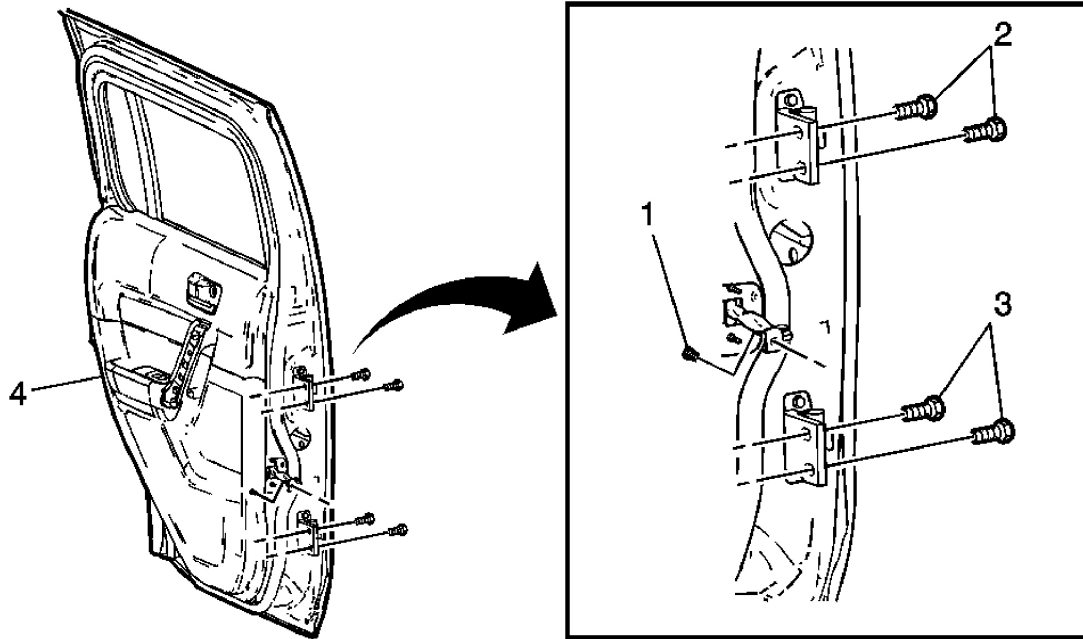
## 2007 Hummer H3

2007 ACCESSORIES & EQUIPMENT Bolted Exterior Body Panels and Closures - H3

### Front Side Door Replacement

Callout	Component Name
<b>NOTE:</b> Refer to <u>Fastener Notice</u> .	
<b>Fastener Tightening Specifications:</b> Refer to <u>Fastener Tightening Specifications</u> .	
1	Bolt, Front Side Door Upper Hinge (Qty: 2) <b>Tip:</b> <ol style="list-style-type: none"><li>1. Support door before removing hinge bolts.</li><li>2. Disconnect door electrical connector.</li></ol> <b>Tighten:</b> 27 N.m (20 lb ft)
2	Bolt, Front Side Door Check Link <b>Tighten:</b> 25 N.m (18 lb ft)
3	Bolt, Front Side Door Lower Hinge (Qty: 2) <b>Tighten:</b> 27 N.m (20 lb ft)
4	Door Assembly, Front Side

### REAR DOOR REPLACEMENT



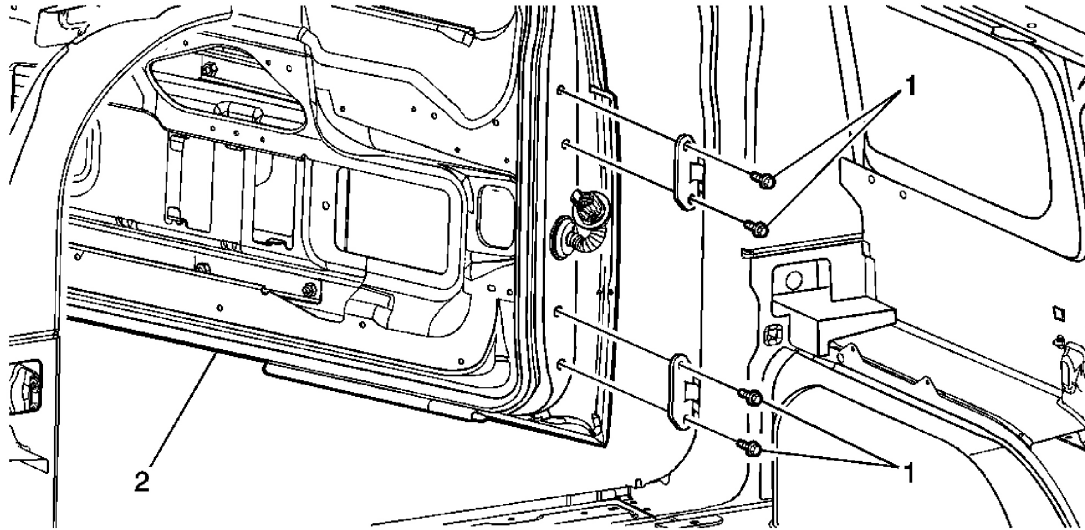
**Fig. 9: Rear Door Replacement**  
 Courtesy of GENERAL MOTORS CORP.

**Rear Door Replacement**

Callout	Component Name
<p><b>NOTE:</b>                      Refer to <u>Fastener Notice</u> .</p>	
<p><b>Fastener Tightening Specifications:</b> Refer to <u>Fastener Tightening Specifications</u> .</p>	
1	Bolt, Rear Side Door Check Link  <b>Tighten:</b> 25 N.m (18 lb ft)
2	Bolt, Rear Side Door Upper Hinge (Qty: 2) <b>Tip:</b> <ol style="list-style-type: none"> <li>1. Support door before removing hinge bolts.</li> <li>2. Disconnect door electrical connector.</li> </ol> <b>Tighten:</b> 27 N.m (20 lb ft)
3	Bolt, Rear Side Door Lower Hinge (Qty: 2)  <b>Tighten:</b> 27 N.m (20 lb ft)

4 | Door Assembly, Rear Side

**ENDGATE REPLACEMENT**



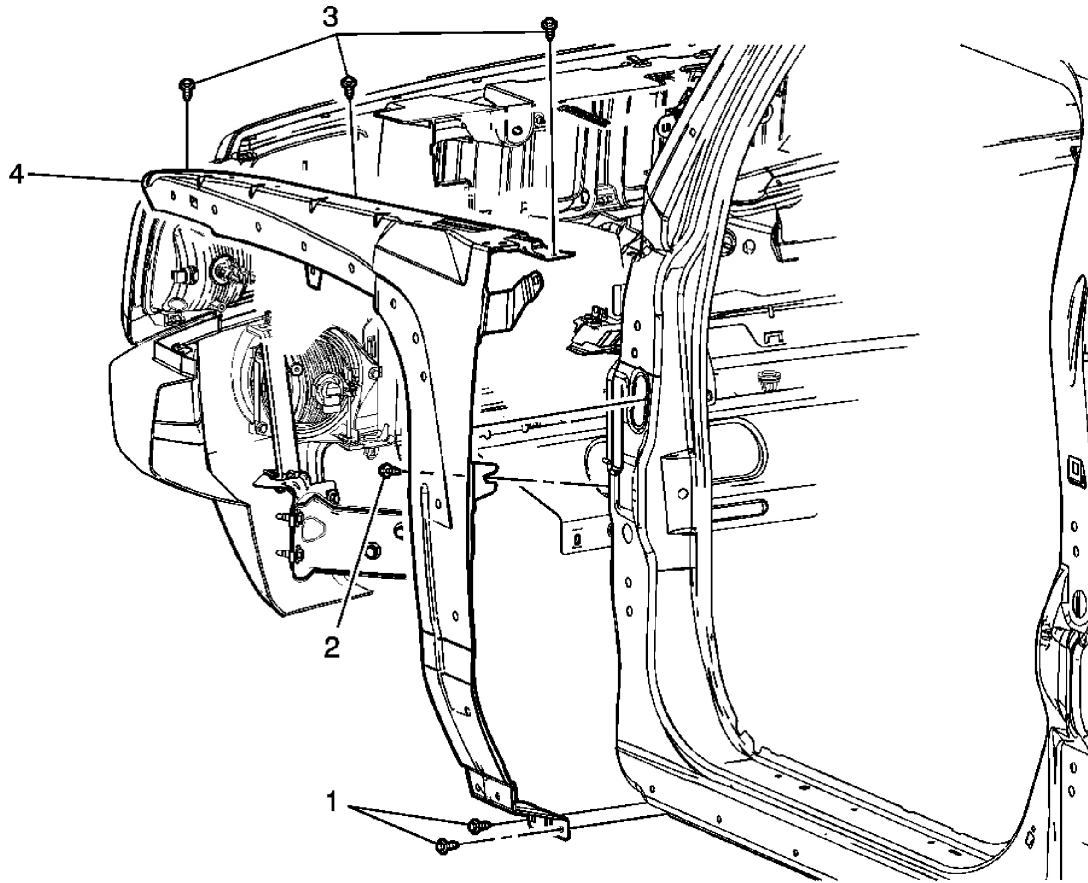
**Fig. 10: Endgate Replacement**  
 Courtesy of GENERAL MOTORS CORP.

**Endgate Replacement**

Callout	Component Name
<p><b>NOTE:</b>                      Refer to <u>Fastener Notice</u> .</p>	
<p><b>Fastener Tightening Specifications:</b> Refer to <u>Fastener Tightening Specifications</u>.</p>	
<p><b>Preliminary Procedures</b></p>	
<p>1. Remove the lower endgate trim panel. Refer to <u>Endgate Trim Panel Replacement</u> .                      2. Remove the rear wiper motor. Refer to <u>Rear Window Wiper Motor Replacement</u> .                      3. Remove the endgate strut. Refer to <u>Endgate Strut Replacement</u>.</p>	
<p>1</p>	<p>Bolts, Hinge (Qty: 4)   <b>Tighten:</b> 50 N.m (37 lb ft)</p>
<p>2</p>	<p>Endgate, Endgate Assembly  <b>Tip:</b></p>

- Disconnect washer hose.
- Disconnect electrical connector.

**FRONT FENDER REPLACEMENT**



**Fig. 11: Replacing Front Fender**  
 Courtesy of GENERAL MOTORS CORP.

**Front Fender Replacement**

Callout	Component Name
<p><b>NOTE:</b>                      Refer to <u>Fastener Notice</u> .</p>	
<p><b>Fastener Tightening Specifications:</b> Refer to <u>Fastener Tightening Specifications</u>.</p>	
<p><b>Preliminary Procedures</b></p>	

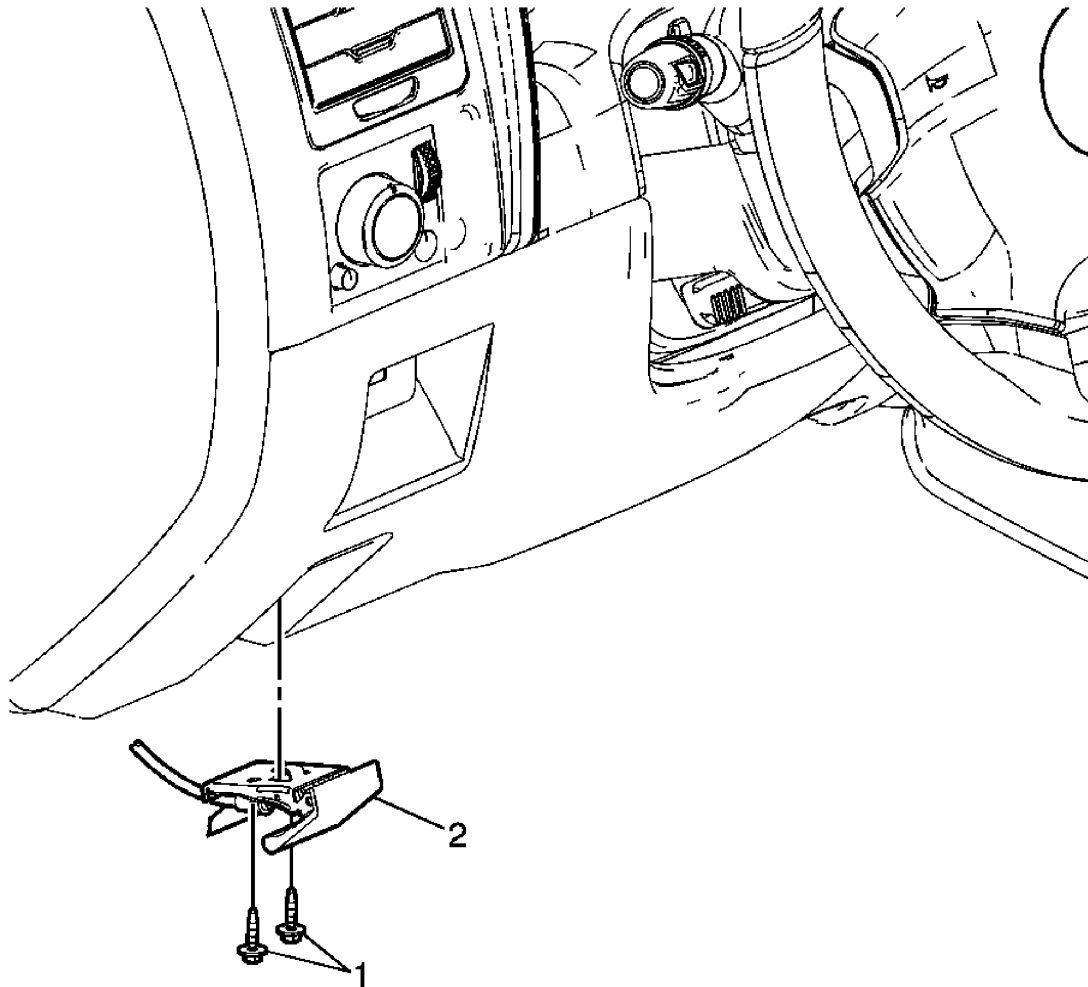
## 2007 Hummer H3

2007 ACCESSORIES & EQUIPMENT Bolted Exterior Body Panels and Closures - H3

1. Remove the front wheelhouse opening flare. Refer to **Front Wheel Opening Flare Replacement (Base)** or **Front Wheel Opening Flare Replacement (with BRM and RHD)** .
2. Remove the front wheelhouse panel. Refer to **Wheelhouse Panel Replacement (Front)** or **Wheelhouse Panel Replacement (Rear)** .
3. Remove the rocker panel molding. Refer to **Rocker Panel Molding Replacement** .
4. Remove air inlet grille panel. Refer to **Non-Functional Air Inlet Grille Panel Replacement** .

1	Bolts, Front Fender (Qty: 2) <b>Tighten:</b> 10 N.m (89 lb in)
2	Bolt, Front Fender (Qty: 2) <b>Tighten:</b> 10 N.m (89 lb in)
3	Bolt, Front Fender (Qty: 3) <b>Tighten:</b> 10 N.m (89 lb in)
4	Fender, Front Fender <b>Tip:</b> On right side fender, remove the antenna mast. Refer to <b><u>Fixed Antenna Mast Replacement</u></b> .

### HOOD LATCH RELEASE HANDLE REPLACEMENT

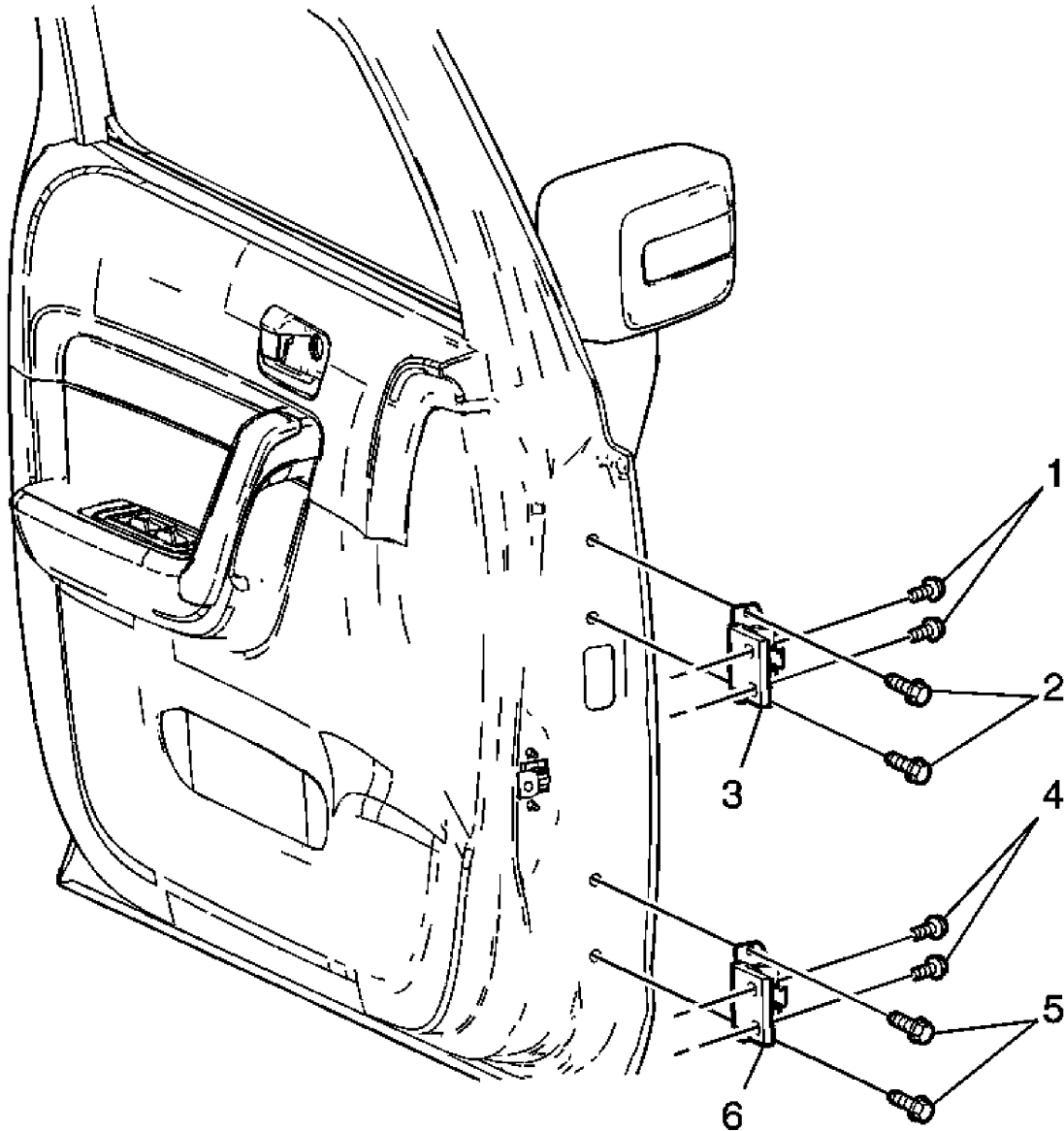


**Fig. 12: Hood Latch Release Handle Replacement**  
 Courtesy of GENERAL MOTORS CORP.

**Hood Latch Release Handle Replacement**

Callout	Component Name
<p><b>NOTE:</b>                      Refer to <u>Fastener Notice</u> .</p> <p><b>Fastener Tightening Specifications:</b> Refer to <u>Fastener Tightening Specifications</u>.</p>	
1	Hood Release Cable Handle Screws (Qty: 2)  <b>Tighten:</b> 2 N.m (18 lb in)
2	Hood Release Handle Assembly

**FRONT SIDE DOOR HINGE REPLACEMENT**



**Fig. 13: Front Side Door Hinge Replacement**  
 Courtesy of GENERAL MOTORS CORP.

**Front Side Door Hinge Replacement**

Callout	Component Name
---------	----------------

**NOTE:**  
 Refer to **Fastener Notice** .



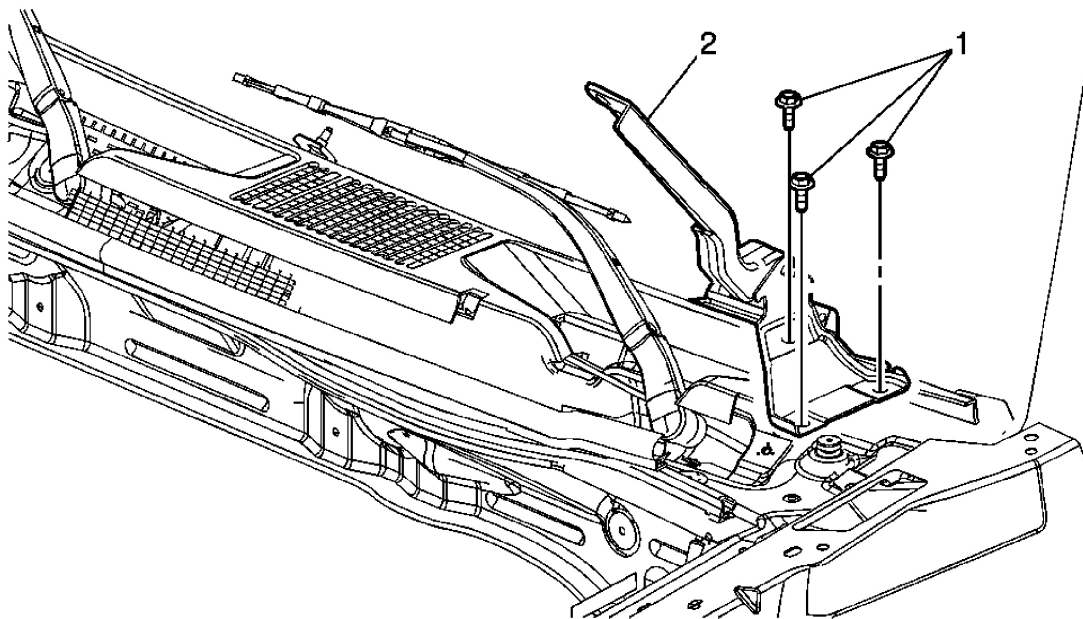
## 2007 Hummer H3

2007 ACCESSORIES & EQUIPMENT Bolted Exterior Body Panels and Closures - H3

**Fastener Tightening Specifications:** Refer to **Fastener Tightening Specifications** .

1	Bolt, Front Side Door Upper Hinge to Body (Qty: 2) <b>Tip:</b> Support door before removing hinge bolts. <b>Tighten:</b> 27 N.m (20 lb ft)
2	Bolt, Front Side Door Upper Hinge to Door (Qty: 2) <b>Tighten:</b> 27 N.m (20 lb ft)
3	Hinge, Front Side Door Upper
4	Bolt, Front Side Door Lower Hinge to Body (Qty: 2) <b>Tighten:</b> 27 N.m (20 lb ft)
5	Bolt, Front Side Door Lower Hinge to Door (Qty: 2) <b>Tighten:</b> 27 N.m (20 lb ft)
6	Hinge, Front Side Door Lower

### HOOD HINGE REPLACEMENT

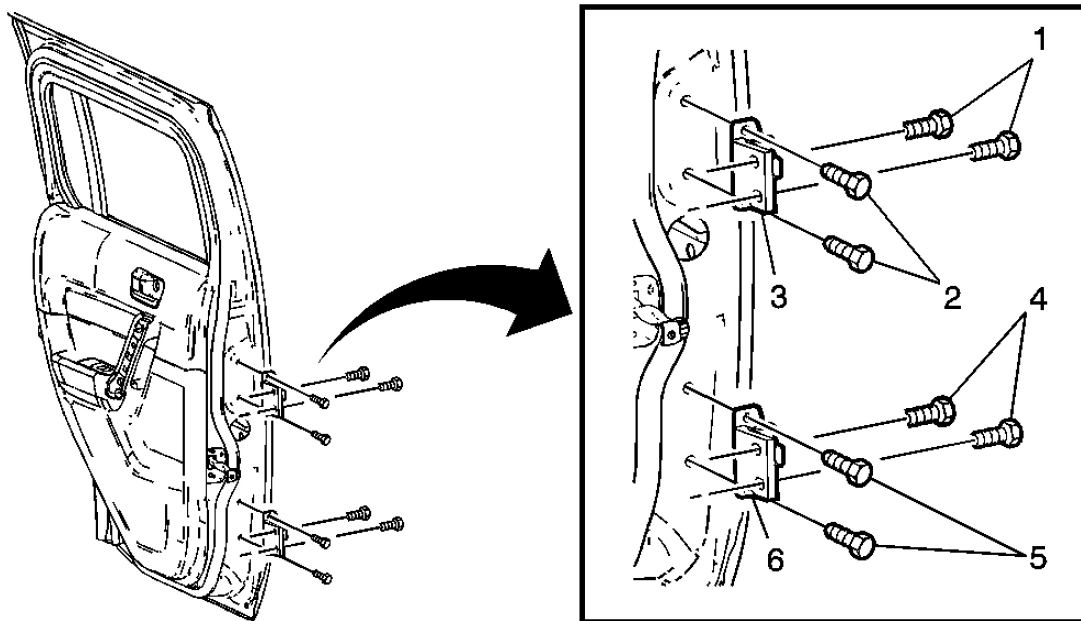


**Fig. 14: Hood Hinge Replacement**  
Courtesy of GENERAL MOTORS CORP.

### Hood Hinge Replacement

Callout	Component Name
<p><b>NOTE:</b> Refer to <u>Fastener Notice</u> .</p> <p><b>Fastener Tightening Specifications:</b> Refer to <u>Fastener Tightening Specifications</u>.</p> <p><b>Preliminary Procedure</b></p> <ul style="list-style-type: none"> <li>Remove the hood. Refer to <u>Hood Replacement</u>.</li> <li>Remove the air inlet grille - non functional. Refer to <u>Non-Functional Air Inlet Grille Panel Replacement</u> .</li> </ul>	
1	Bolts, Hood Hinge (Qty: 3)  <b>Tighten:</b> 25 N.m (19 lb ft)
2	Hood Hinge

**REAR SIDE DOOR HINGE REPLACEMENT**



**Fig. 15: Rear Door Hinge Replacement**  
Courtesy of GENERAL MOTORS CORP.

**Rear Side Door Hinge Replacement**

Callout	Component Name
---------	----------------

## 2007 Hummer H3

2007 ACCESSORIES & EQUIPMENT Bolted Exterior Body Panels and Closures - H3

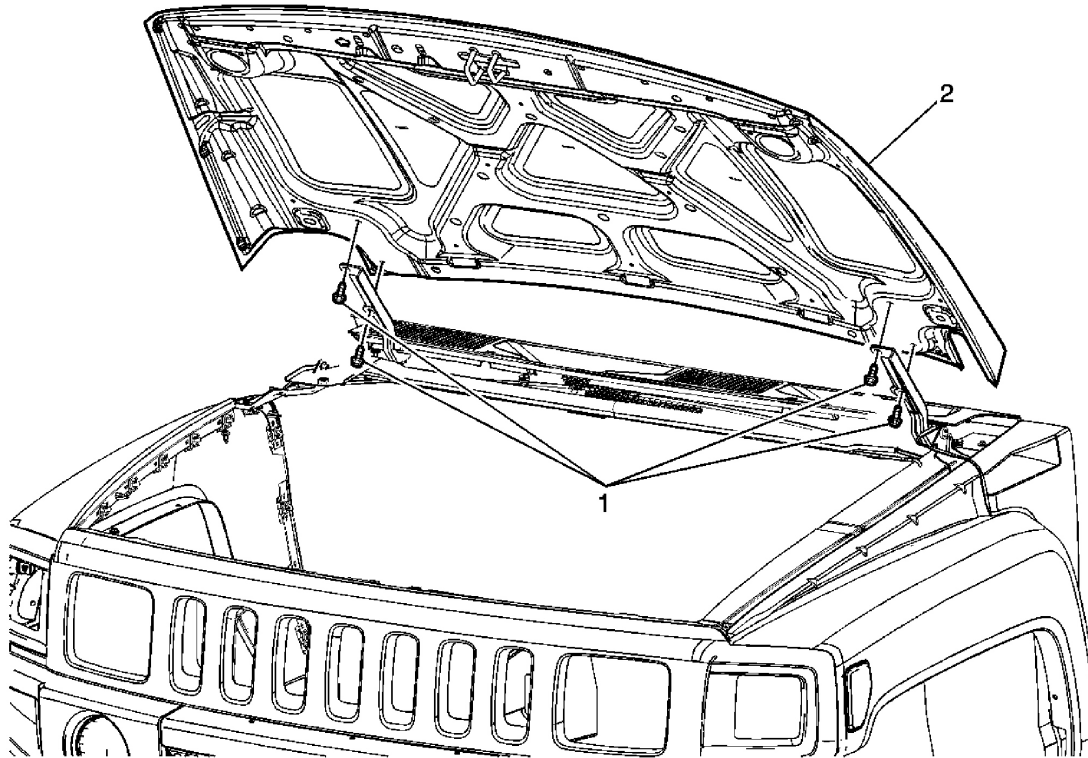
### NOTE:

Refer to Fastener Notice .

**Fastener Tightening Specifications:** Refer to Fastener Tightening Specifications .

1	Bolt, Rear Side Door Upper Hinge to Body (Qty: 2) <b>Tip:</b> Support door before removing hinge bolts. <b>Tighten:</b> 27 N.m (20 lb ft)
2	Bolt, Rear Side Door Upper Hinge to Door (Qty: 2) <b>Tighten:</b> 27 N.m (20 lb ft)
3	Hinge, Rear Side Door Upper
4	Bolt, Rear Side Door Lower Hinge to Body (Qty: 2) <b>Tighten:</b> 27 N.m (20 lb ft)
5	Bolt, Rear Side Door Lower Hinge to Door (Qty: 2) <b>Tighten:</b> 27 N.m (20 lb ft)
6	Hinge, Rear Side Door Lower

### HOOD REPLACEMENT

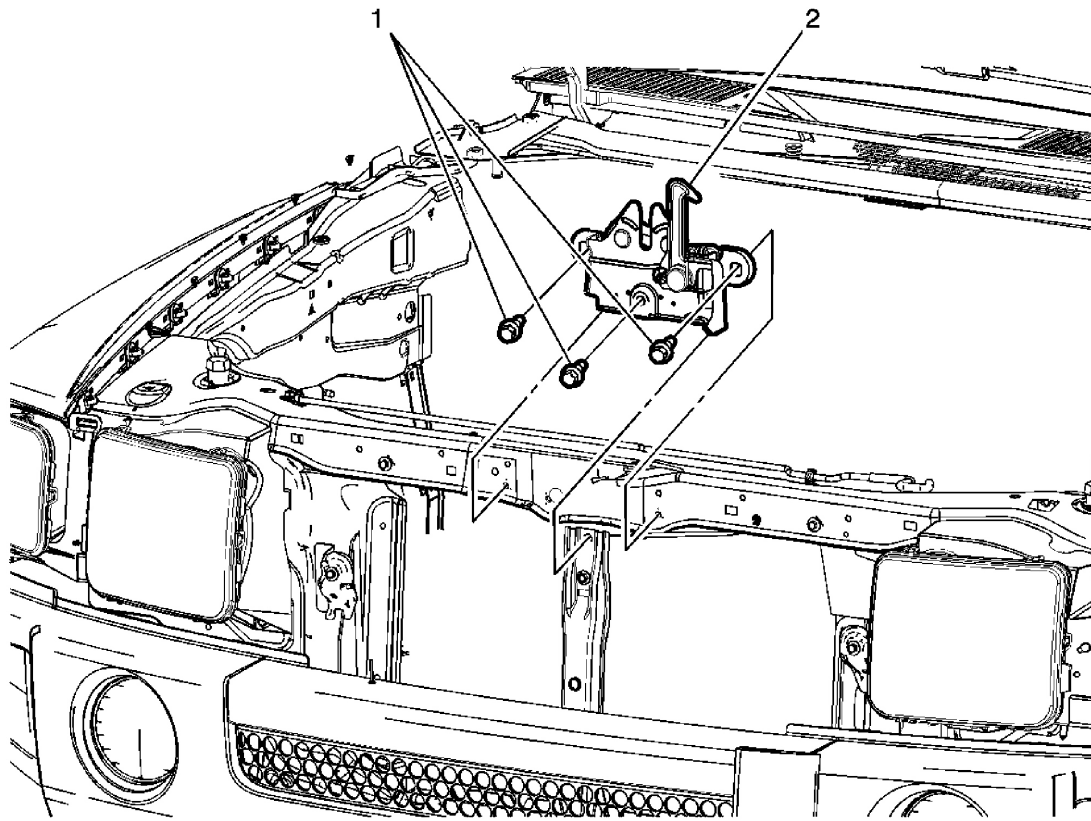


**Fig. 16: Hood Replacement**  
 Courtesy of GENERAL MOTORS CORP.

**Hood Replacement**

Callout	Component Name
<p><b>NOTE:</b>                      Refer to <u>Fastener Notice</u> .</p> <p><b>Fastener Tightening Specifications:</b> Refer to <u>Fastener Tightening Specifications</u>.</p>	
1	Bolts, Hood Hinge (Qty: 4)  <b>Tighten:</b> 25 N.m (19 lb ft)
2	Hood

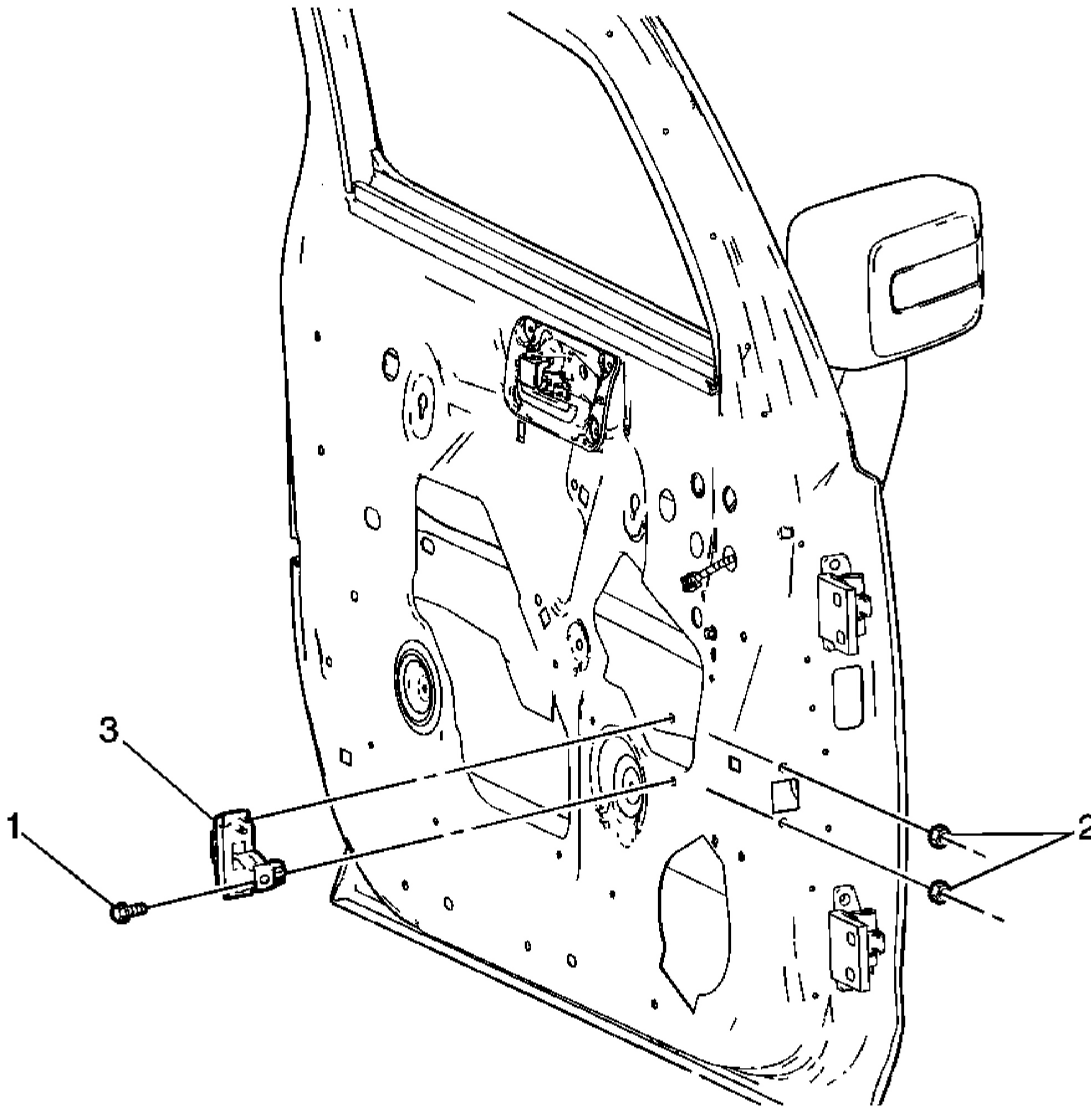
**HOOD LATCH REPLACEMENT**



**Fig. 17: Hood Latch Replacement**  
 Courtesy of GENERAL MOTORS CORP.

**Hood Latch Replacement**

Callout	Component Name
<p><b>NOTE:</b>                      Refer to <u>Fastener Notice</u> .</p> <p><b>Fastener Tightening Specifications:</b> Refer to <u>Fastener Tightening Specifications</u>.  <b>Preliminary Procedure:</b> Remove Grille Support. Refer to <u>Radiator Grille Reinforcement Support Replacement</u>.</p>	
<p>1</p>	<p>Bolts, Hood latch (Qty: 3)</p> <p><b>Tighten:</b> 10 N.m (89 lb in)</p>
<p>2</p>	<p>Latch, Hood</p> <p><b>Tip:</b> Disconnect hood release cable.</p>



**Fig. 18: Replacing Front Door Check Link**  
 Courtesy of GENERAL MOTORS CORP.

**Front Side Door Check Link Replacement**

Callout	Component Name
<p><b>NOTE:</b>                      Refer to <u>Fastener Notice</u> .</p>	
<p><b>Fastener Tightening Specifications:</b> Refer to <u>Fastener Tightening Specifications</u> .</p>	
<p><b>Preliminary Procedures</b></p>	

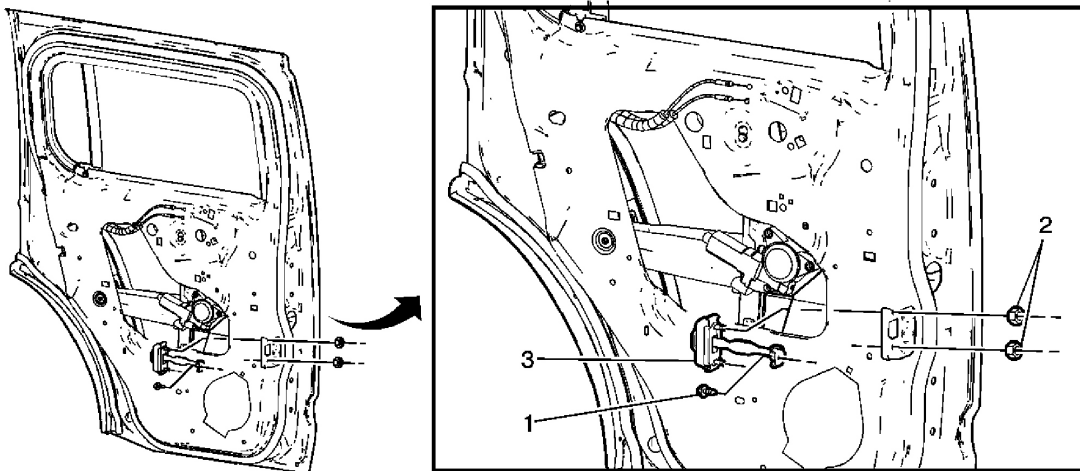
## 2007 Hummer H3

2007 ACCESSORIES & EQUIPMENT Bolted Exterior Body Panels and Closures - H3

1. Remove the interior trim panel. Refer to **Front Side Door Trim Panel Replacement** .
2. Remove the water deflector. Refer to **Front Side Door Water Deflector Replacement** .
3. Move the window to the full up position.

1	Front Side Door Check Link Bolt <b>Tighten:</b> 25 N.m (18 lb ft)
2	Front Side Door Check Link Nut (Qty: 2) <b>Tighten:</b> 25 N.m (18 lb ft)
3	Front Side Door Check Link Assembly <b>Tip:</b> Remove the check link from the inside of the door.

### REAR SIDE DOOR CHECK LINK REPLACEMENT



**Fig. 19: Rear Door Check Link Replacement**  
Courtesy of GENERAL MOTORS CORP.

### Rear Side Door Check Link Replacement

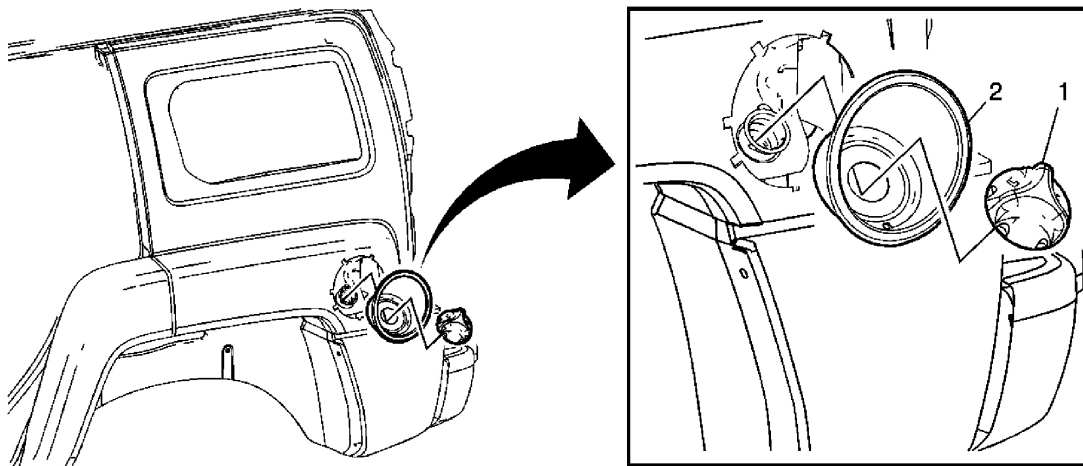
Callout	Component Name
<b>NOTE:</b> Refer to <b><u>Fastener Notice</u></b> .	
<b>Fastener Tightening Specifications:</b> Refer to <b><u>Fastener Tightening Specifications</u></b> .	

**Preliminary Procedures**

1. Remove the interior trim panel. Refer to **Rear Side Door Trim Panel Replacement** .
2. Remove the water deflector. Refer to **Rear Side Door Water Deflector Replacement** .
3. Move the window to the full up position.

1	Rear Side Door Check Link Bolt <b>Tighten:</b> 25 N.m (18 lb ft)
2	Rear Side Door Check Link Nut (Qty: 2) <b>Tighten:</b> 25 N.m (18 lb ft)
3	Rear Side Door Check Link Assembly <b>Tip:</b> Remove the check link from the inside of the door.

**FUEL TANK FILLER PIPE HOUSING REPLACEMENT**



**Fig. 20: View Of Fuel Tank Filler Pipe Housing**  
Courtesy of GENERAL MOTORS CORP.

**Fuel Tank Filler Pipe Housing Replacement**

Callout	Component Name
<b>Fastener Tightening Specifications:</b> Refer to <b><u>Fastener Tightening Specifications</u></b> .	
1	Cap, Fuel

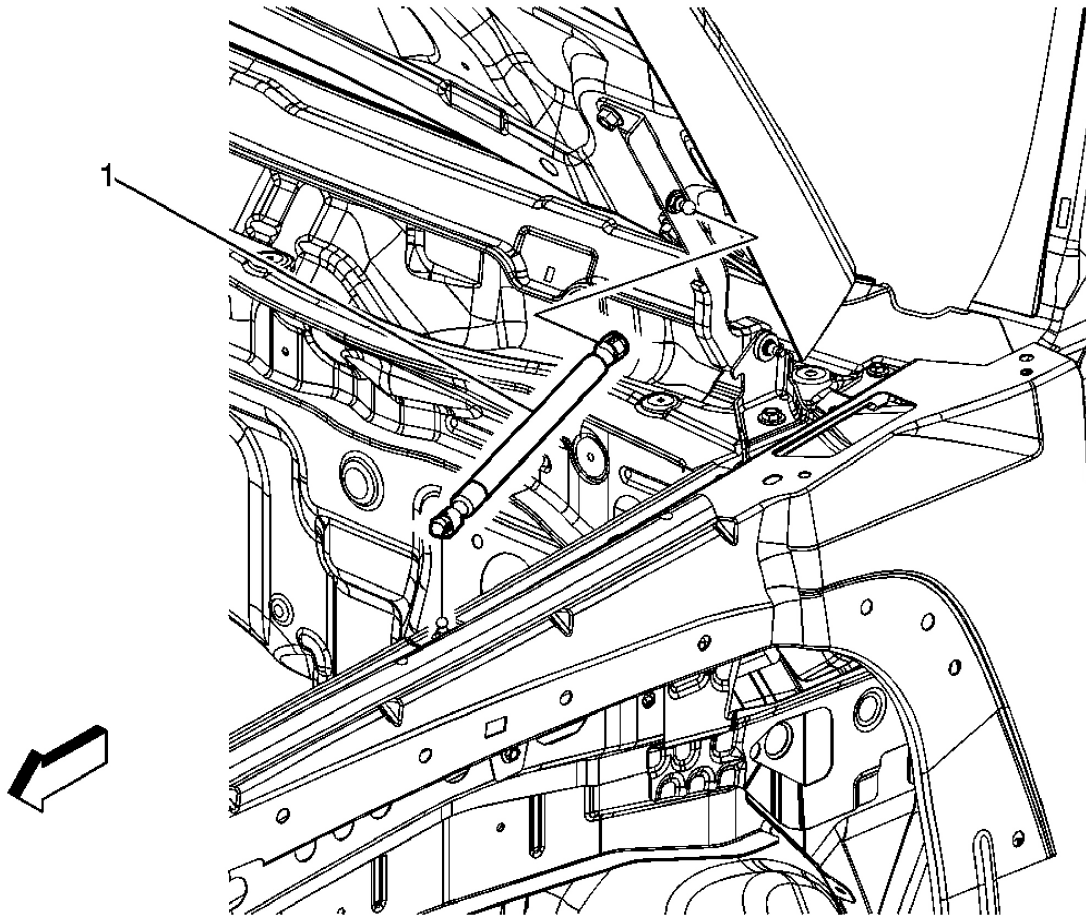


2

Pocket, Fuel Filler

**Tip:** Disengage locking tabs by pulling on the outer edge of the pocket while working around the circumference.

**HOOD STRUT REPLACEMENT**



**Fig. 21: View Of Hood Strut**  
 Courtesy of GENERAL MOTORS CORP.

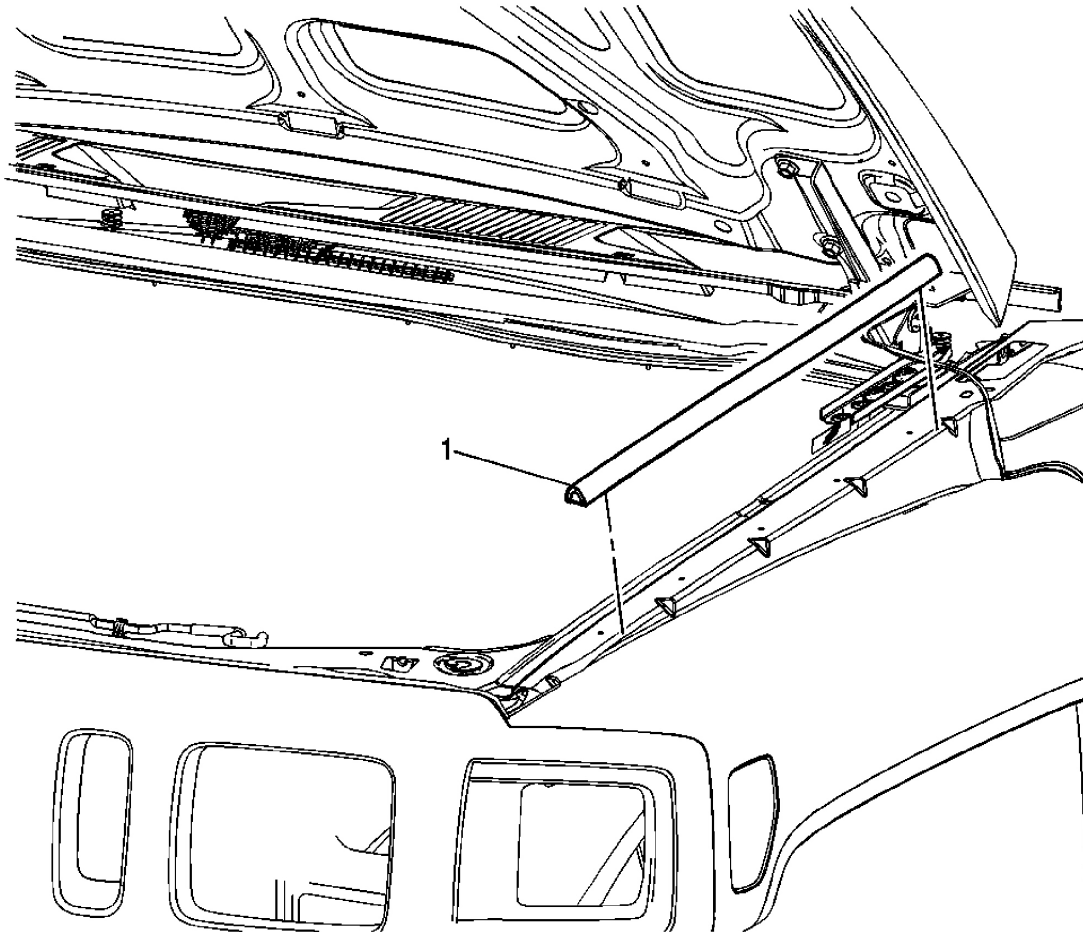
**Hood Strut Replacement**

Callout	Component Name
<p><b>NOTE:</b>                      Refer to <u>Fastener Notice</u> .</p> <p><b>Fastener Tightening Specifications:</b> Refer to <u>Fastener Tightening Specifications</u>.</p>	
	Hood Strut Rod

1

**Tip:** Use a small flat bladed screwdriver to disengage the locking tabs at each end of the strut.

**SEAL REPLACEMENT - FENDER TO HOOD**

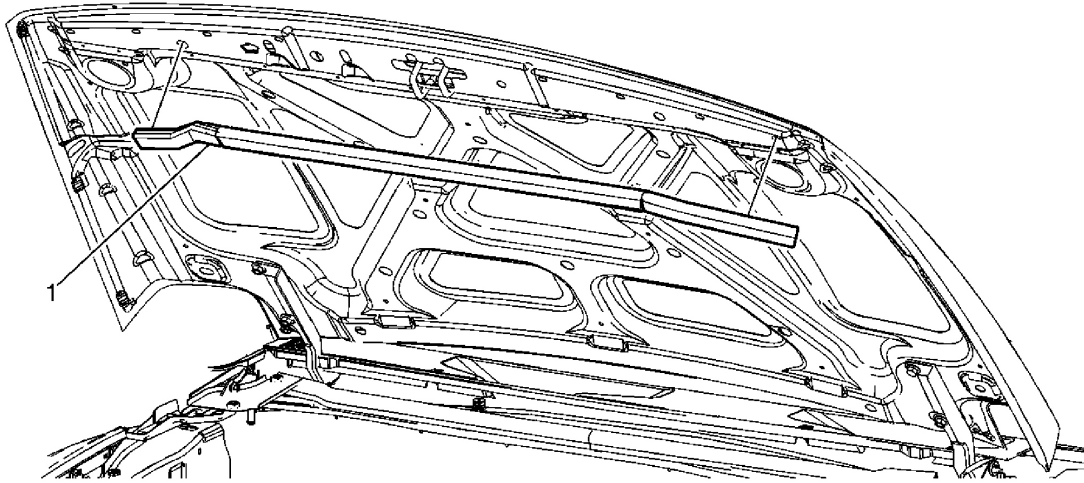


**Fig. 22: Replacing Fender To Hood Seal**  
 Courtesy of GENERAL MOTORS CORP.

**Seal Replacement - Fender to Hood**

Callout	Component Name
<b>Fastener Tightening Specifications:</b> Refer to <u>Fastener Tightening Specifications</u> .	
1	Seal, Hood Side

**HOOD FRONT SEAL REPLACEMENT**

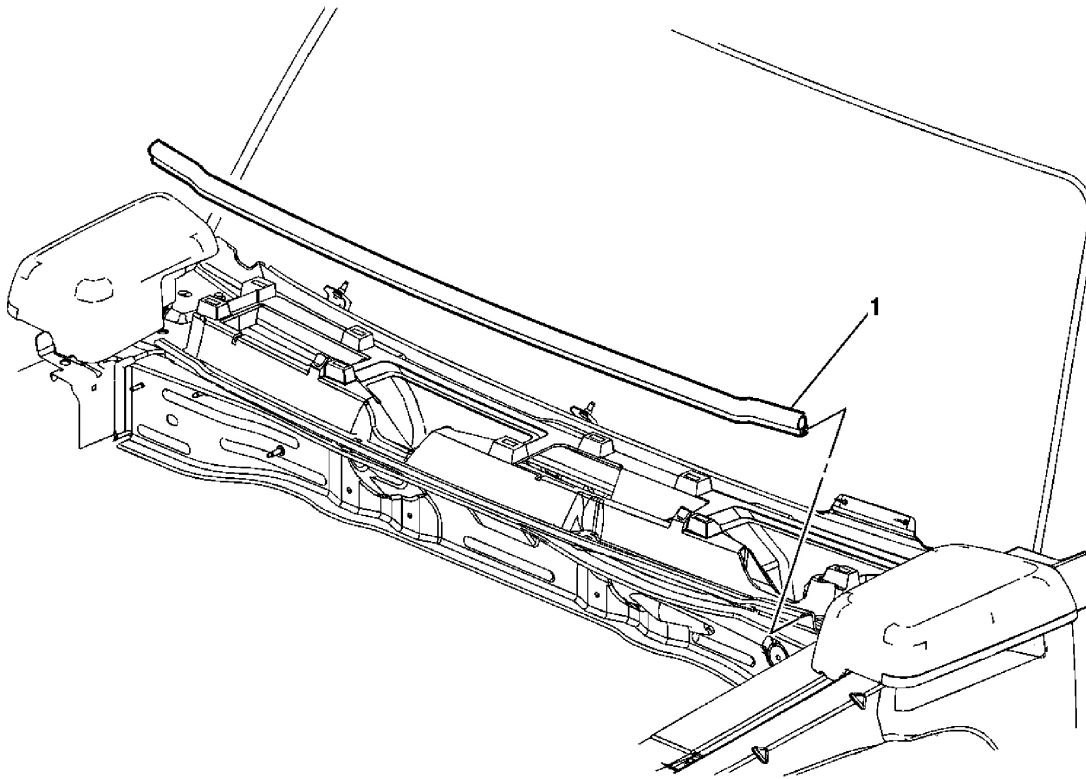


**Fig. 23: Hood Front Seal Replacement**  
 Courtesy of GENERAL MOTORS CORP.

**Hood Front Seal Replacement**

Callout	Component Name
<b>Fastener Tightening Specifications: Refer to <u>Fastener Tightening Specifications</u>.</b>	
1	Seal, Hood Front

**HOOD REAR SEAL REPLACEMENT**

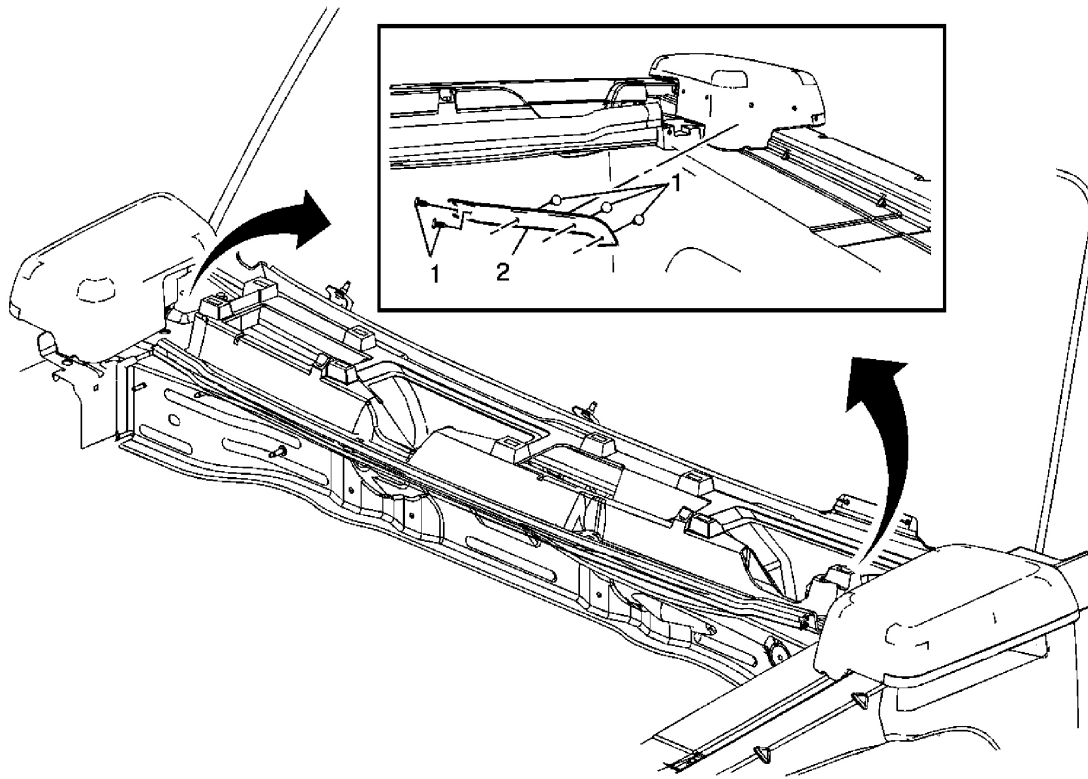


**Fig. 24: Hood Rear Seal Replacement**  
 Courtesy of GENERAL MOTORS CORP.

**Hood Rear Seal Replacement**

Callout	Component Name
<b>Fastener Tightening Specifications: Refer to <u>Fastener Tightening Specifications</u>.</b>	
1	Seal, Hood Rear

**HOOD REAR OUTER SEAL REPLACEMENT**

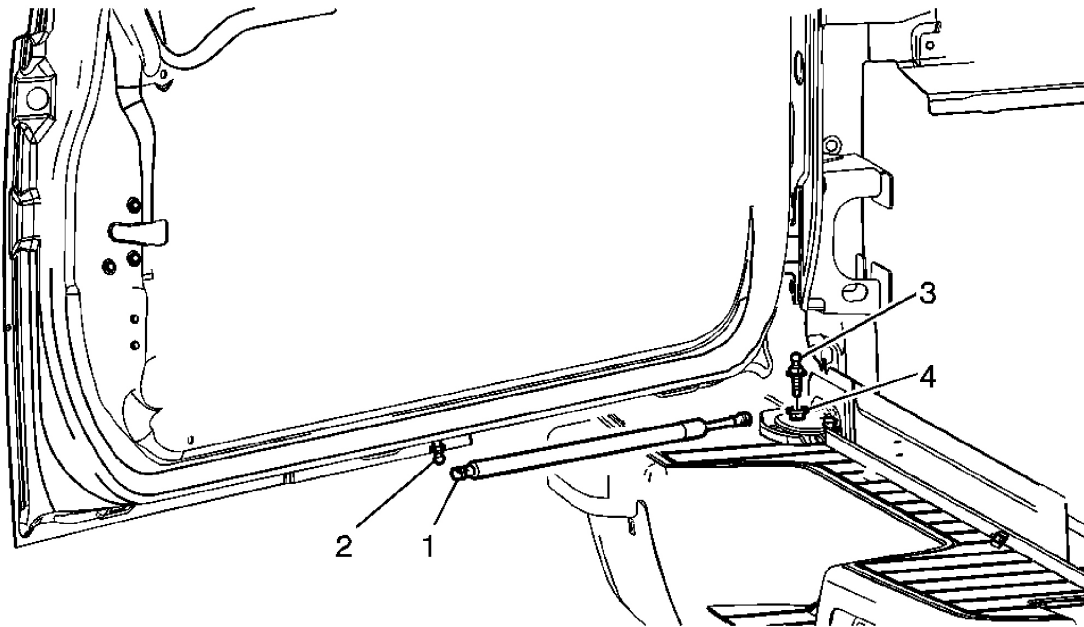


**Fig. 25: Hood Outer Seal Replacement**  
 Courtesy of GENERAL MOTORS CORP.

**Hood Rear Outer Seal Replacement**

Callout	Component Name
<b>Fastener Tightening Specifications: Refer to <u>Fastener Tightening Specifications</u>.</b>	
1	Push In Retainers (Qty: 8)
2	Hood Rear Side Seal

**ENDGATE STRUT REPLACEMENT**



**Fig. 26: Endgate Strut Replacement**  
 Courtesy of GENERAL MOTORS CORP.

**Endgate Strut Replacement**

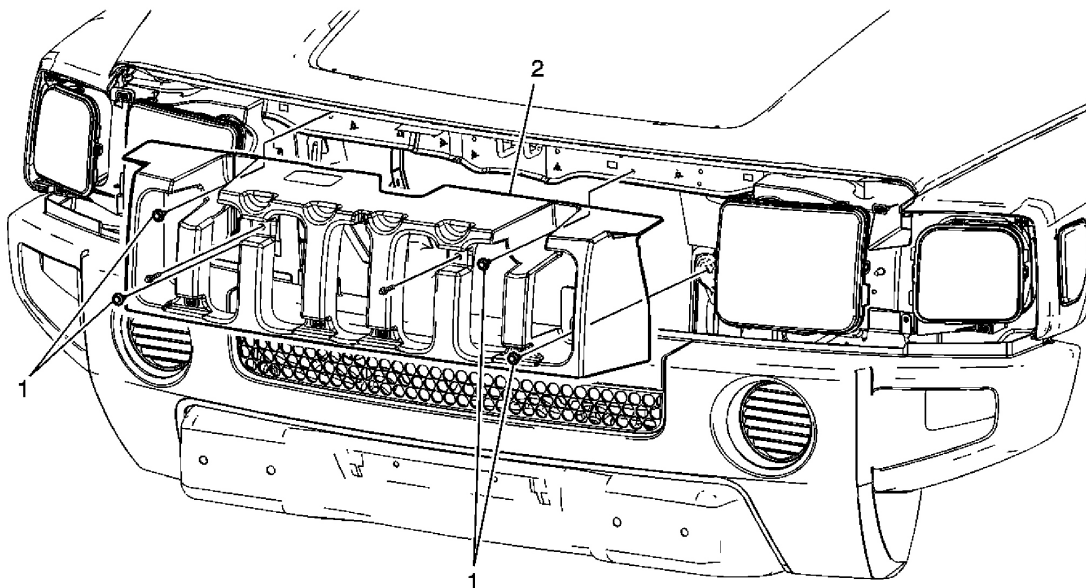
Callout	Component Name
1	Hood Open Assist Rod Assembly  <b>CAUTION:</b> When a hood hold open device is being removed or installed, provide alternate support to avoid the possibility of damage to the vehicle or personal injury.  <b>NOTE:</b> Apply pressure only at the end of the liftgate/hood assist rod that you are removing or attaching. Do NOT apply pressure to the middle of the rod because damage or bending will result.  <b>Tip:</b> Remove the metal clip at the ends of the assist rod, then pull away from stud.
2	Assist Rod Body Side Stud  <b>NOTE:</b> Refer to <u>Fastener Notice</u> .

## 2007 Hummer H3

### 2007 ACCESSORIES & EQUIPMENT Bolted Exterior Body Panels and Closures - H3

	<b>Tighten:</b> 10 N.m (89 lb in)
3	Assist Rod Endgate Side Stud
4	Assist Rod Stud Nut
	<b>Tighten:</b> 10 N.m (89 lb in)

### RADIATOR GRILLE REINFORCEMENT SUPPORT REPLACEMENT



**Fig. 27: Radiator Grille Reinforcement Support Replacement**  
 Courtesy of GENERAL MOTORS CORP.

### Radiator Grille Reinforcement Support Replacement

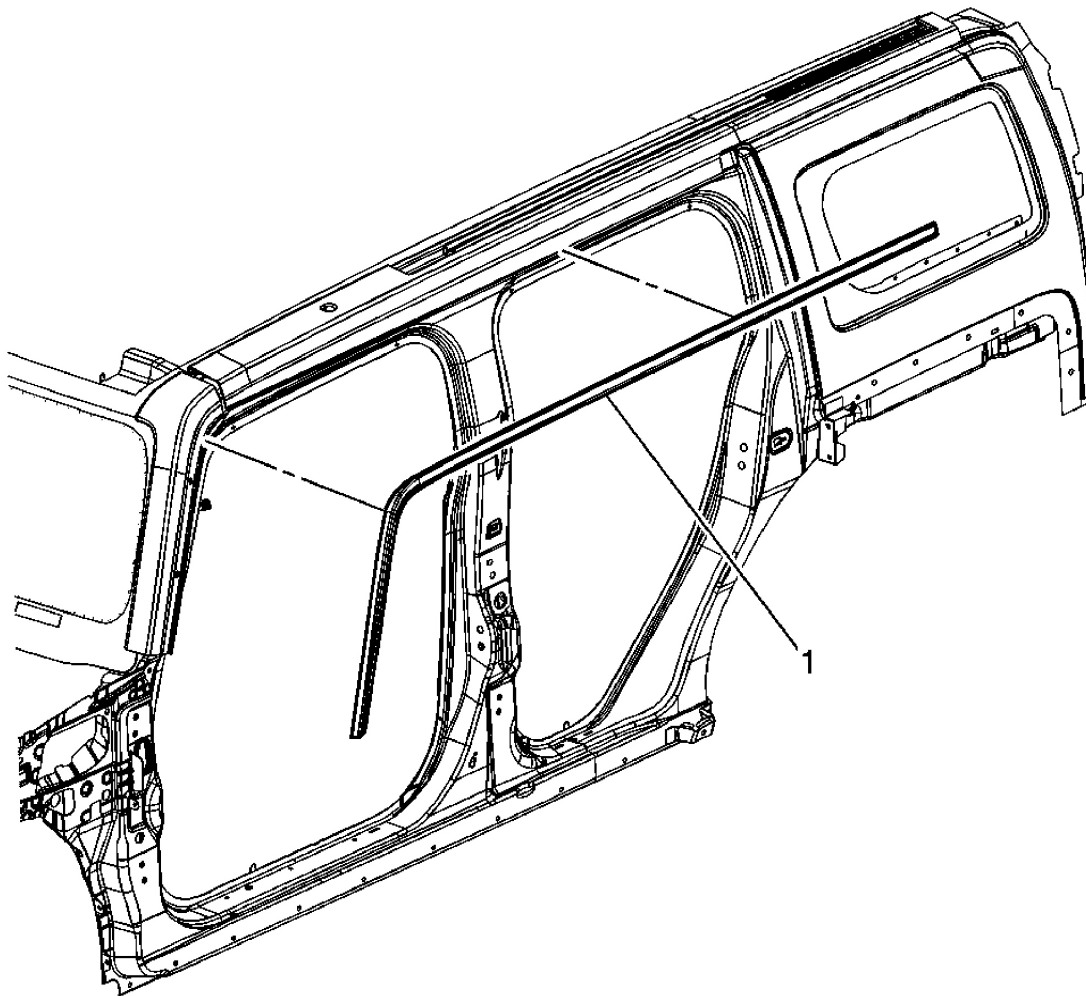
Callout	Component Name
<p><b>NOTE:</b>                      Refer to <u>Fastener Notice</u> .</p> <p><b>Fastener Tightening Specifications:</b> Refer to <u>Fastener Tightening Specifications</u>.</p> <p><b>Preliminary Procedures</b></p> <ol style="list-style-type: none"> <li>1. Remove the front grille guard/brush guard (if equipped). Refer to <u>Grille Guard/Brush Guard Replacement (Base)</u> or <u>Grille Guard/Brush Guard Replacement (H3X)</u> .</li> <li>2. Remove the front radiator grille. Refer to <u>Grille Replacement</u> .</li> </ol>	

2007 Hummer H3

2007 ACCESSORIES & EQUIPMENT Bolted Exterior Body Panels and Closures - H3

1	Bolts, Radiator Grille Support (Qty: 4) <b>Tighten:</b> 9 N.m (27 lb in)
2	Support, Radiator Grille

**FRONT AND REAR SIDE DOOR UPPER AUXILIARY WEATHERSTRIP REPLACEMENT**



**Fig. 28: Front & Rear Side Door Upper Auxiliary Weatherstrip Replacement**  
Courtesy of GENERAL MOTORS CORP.

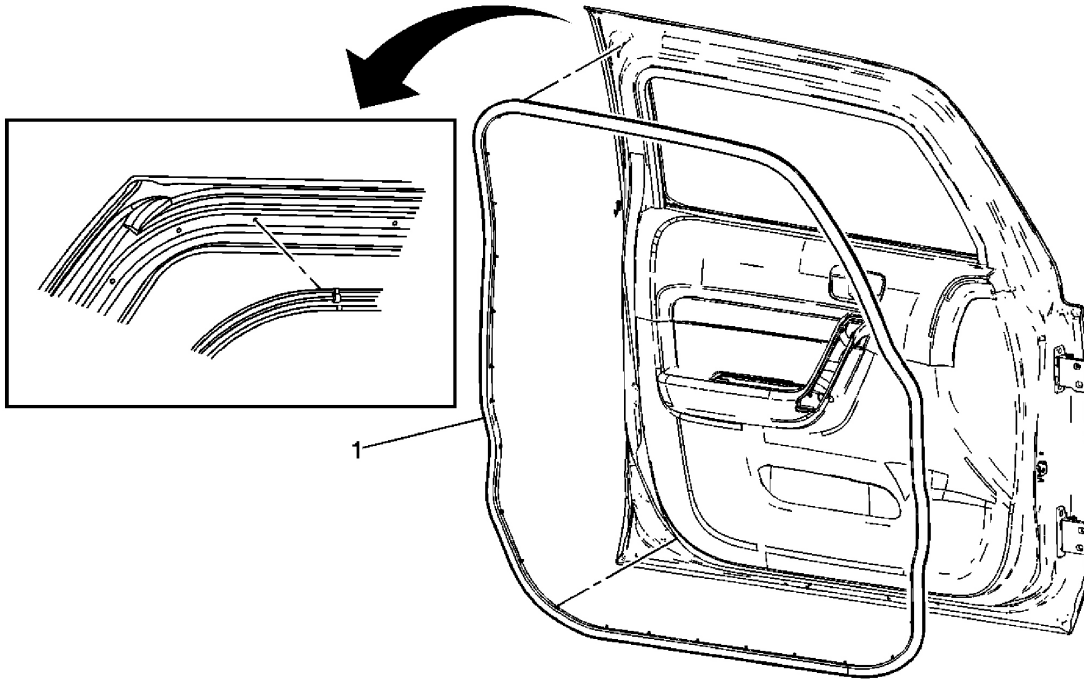
**Front and Rear Side Door Upper Auxiliary Weatherstrip Replacement**

Callout	Component Name
<b>Fastener Tightening Specifications:</b> Refer to <u>Fastener Tightening Specifications</u> .	
	Weatherstrip, Front Door Upper Auxiliary



1 **Tip:** Pull the weatherstrip away from the flange to remove.

**FRONT SIDE DOOR WEATHERSTRIP REPLACEMENT**

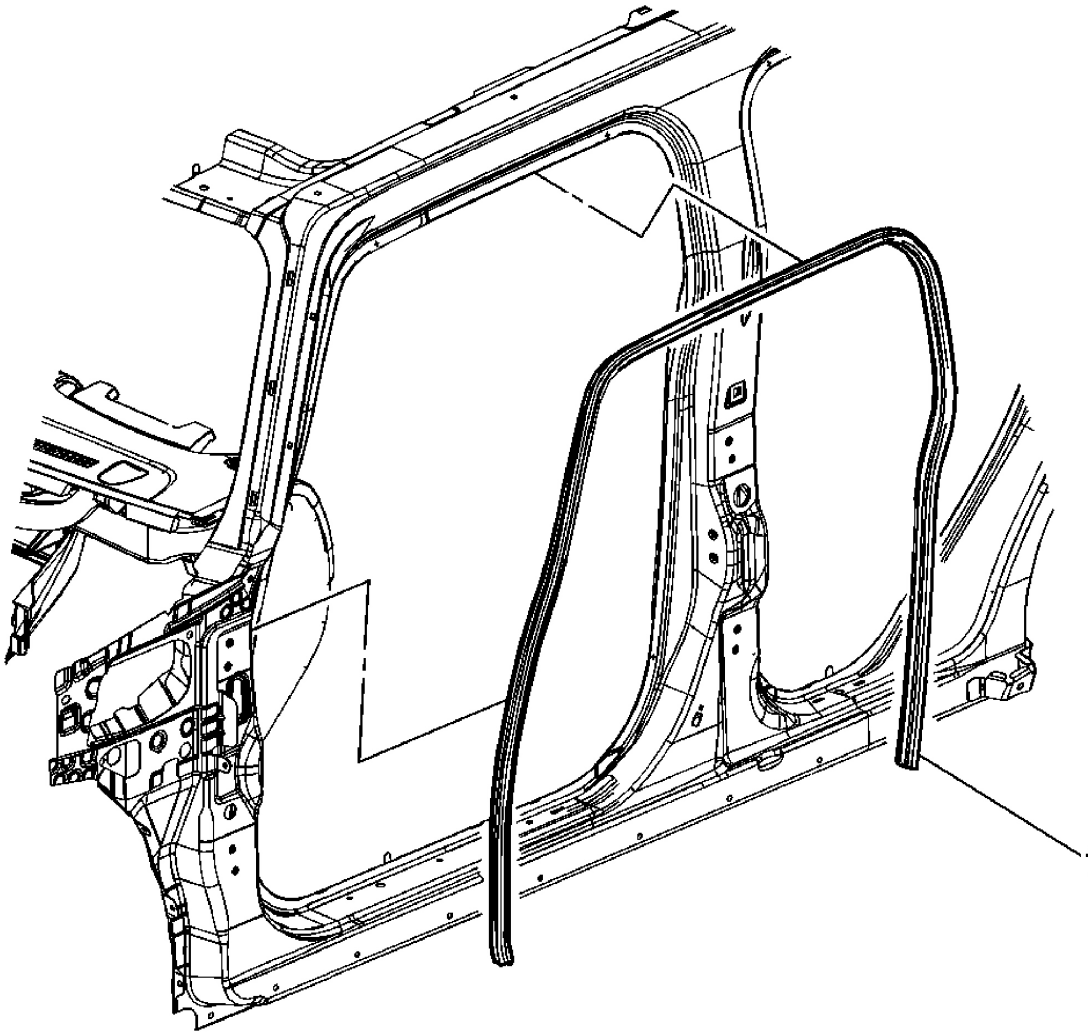


**Fig. 29: Front Side Door Weatherstrip Replacement**  
 Courtesy of GENERAL MOTORS CORP.

**Front Side Door Weatherstrip Replacement**

Callout	Component Name
<b>Fastener Tightening Specifications:</b> Refer to <u>Fastener Tightening Specifications</u> .	
1	Weatherstrip, Front Door <b>Tip:</b> Carefully pull the weatherstrip away from the front door.

**FRONT SIDE DOOR AUXILIARY WEATHERSTRIP REPLACEMENT**

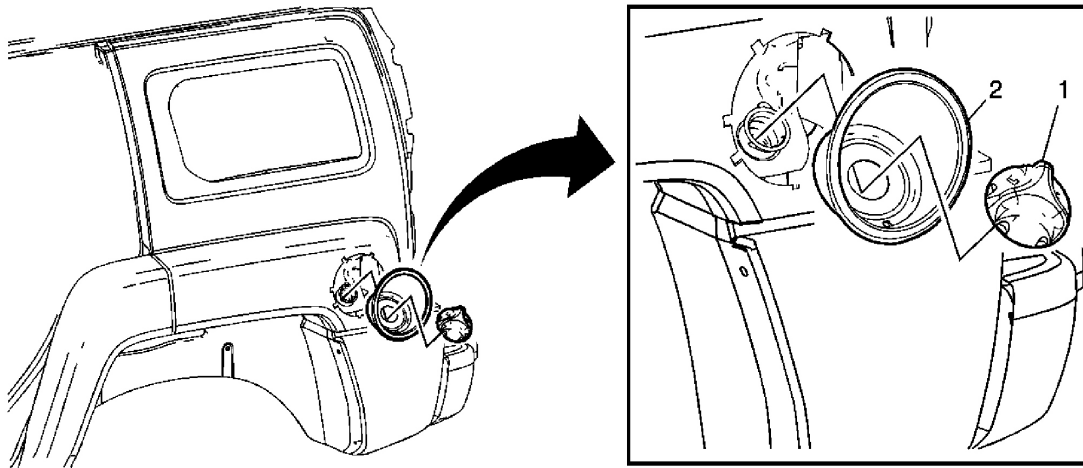


**Fig. 30: Front Side Door Auxiliary Weatherstrip Replacement**  
 Courtesy of GENERAL MOTORS CORP.

**Front Side Door Auxiliary Weatherstrip Replacement**

Callout	Component Name
<b>Fastener Tightening Specifications:</b> Refer to <u>Fastener Tightening Specifications</u> .	
1	Weatherstrip, Front Door Auxiliary <b>Tip:</b> Pull the weatherstrip away from the flange to remove.

**REAR COMPARTMENT LID WEATHERSTRIP REPLACEMENT**

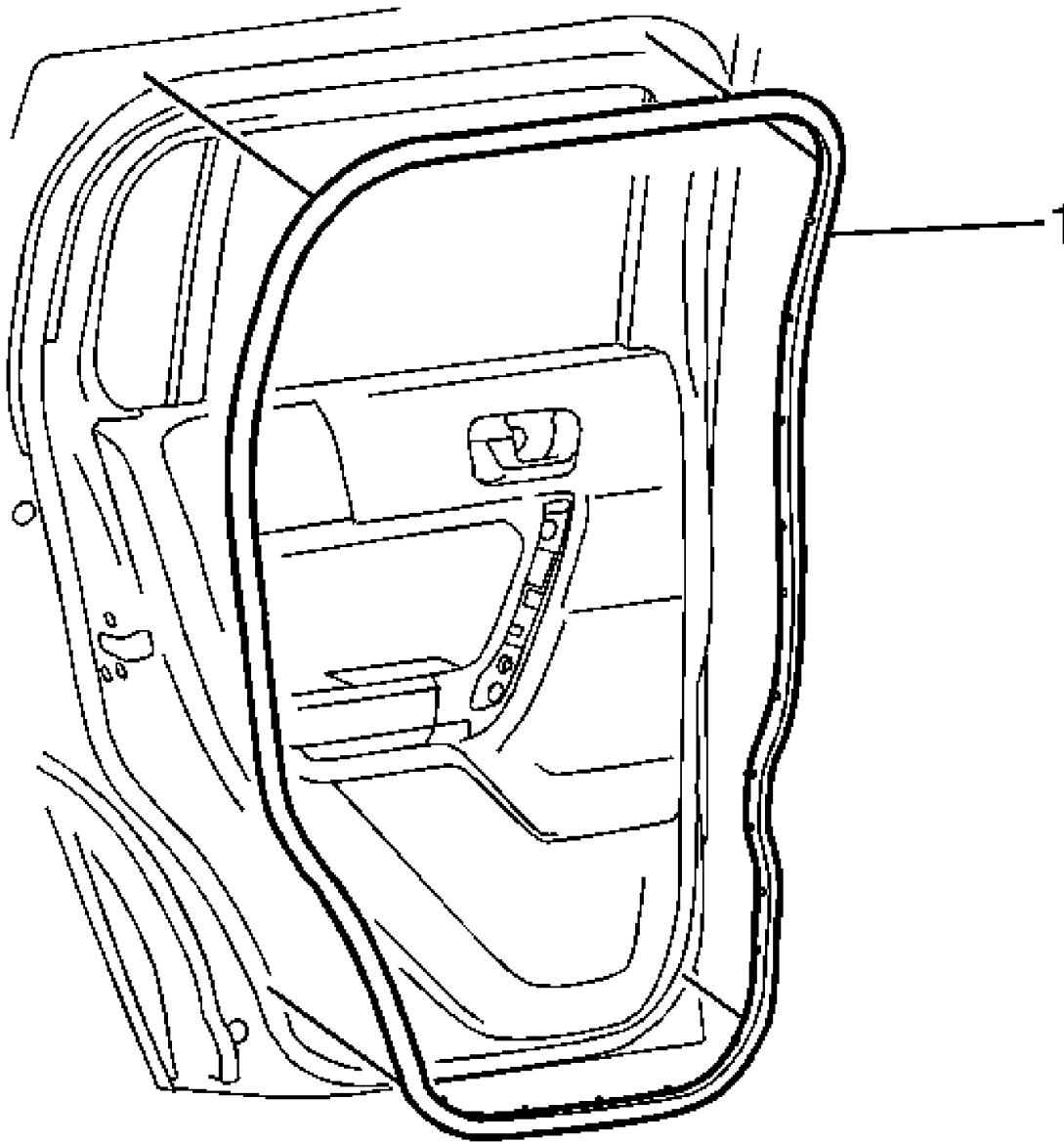


**Fig. 31: Identifying Rear Compartment Lid Weatherstrip**  
 Courtesy of GENERAL MOTORS CORP.

**Rear Compartment Lid Weatherstrip Replacement**

Callout	Component Name
<b>Fastener Tightening Specifications:</b> Refer to <b>Fastener Tightening Specifications</b> .	
1	Cap, Fuel
2	Pocket, Fuel Filler <b>Tip:</b> Disengage locking tabs by pulling on the outer edge of the pocket while working around the circumference.

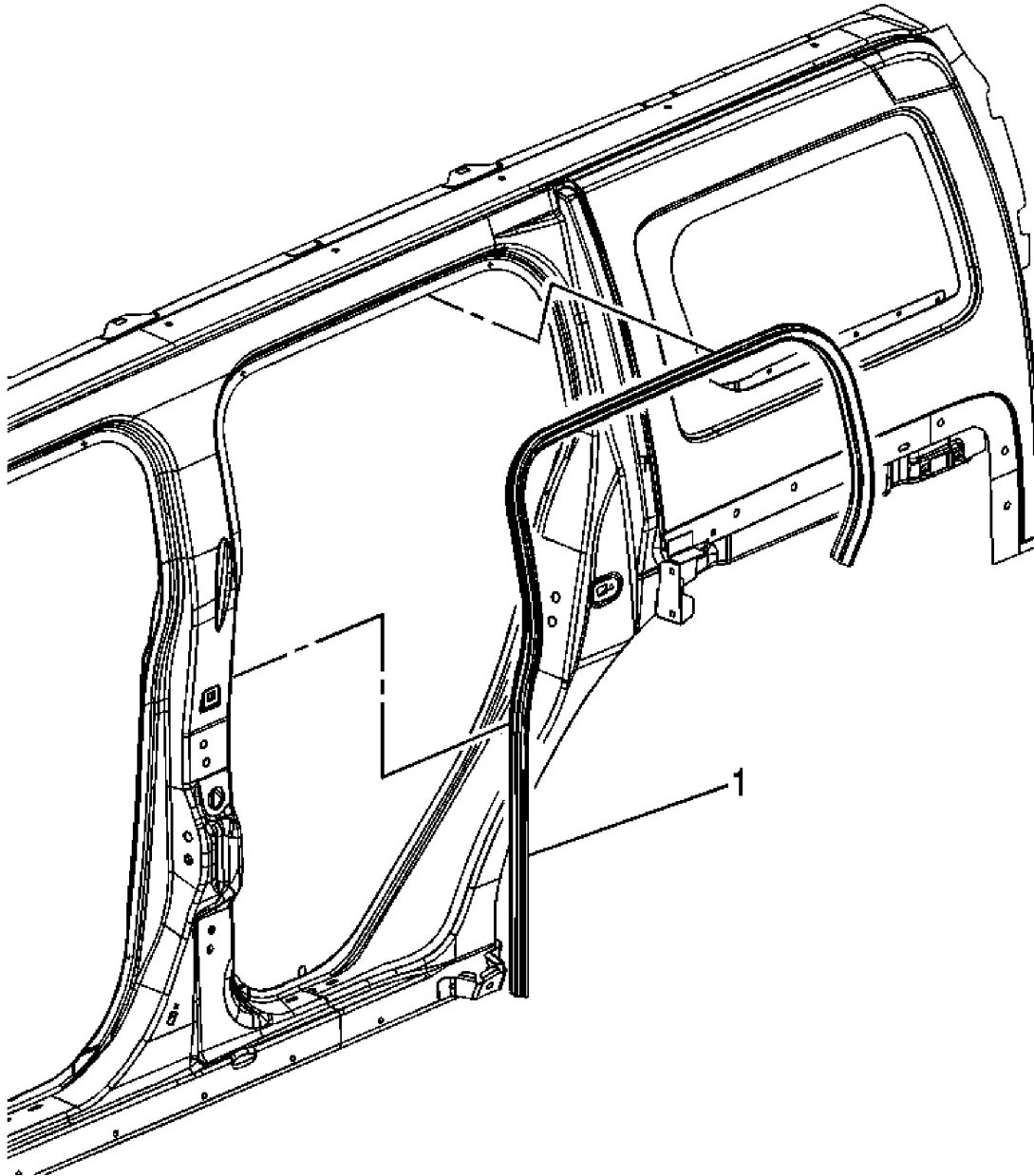
**REAR DOOR WEATHERSTRIP REPLACEMENT**



**Fig. 32: Rear Door Weatherstrip Replacement**  
 Courtesy of GENERAL MOTORS CORP.

**Rear Door Weatherstrip Replacement**

Callout	Component Name
<b>Fastener Tightening Specifications:</b> Refer to <b>Fastener Tightening Specifications</b> .	
1	Weatherstrip, Rear Door <b>Tip:</b> Carefully pull the weatherstrip away from the rear door.

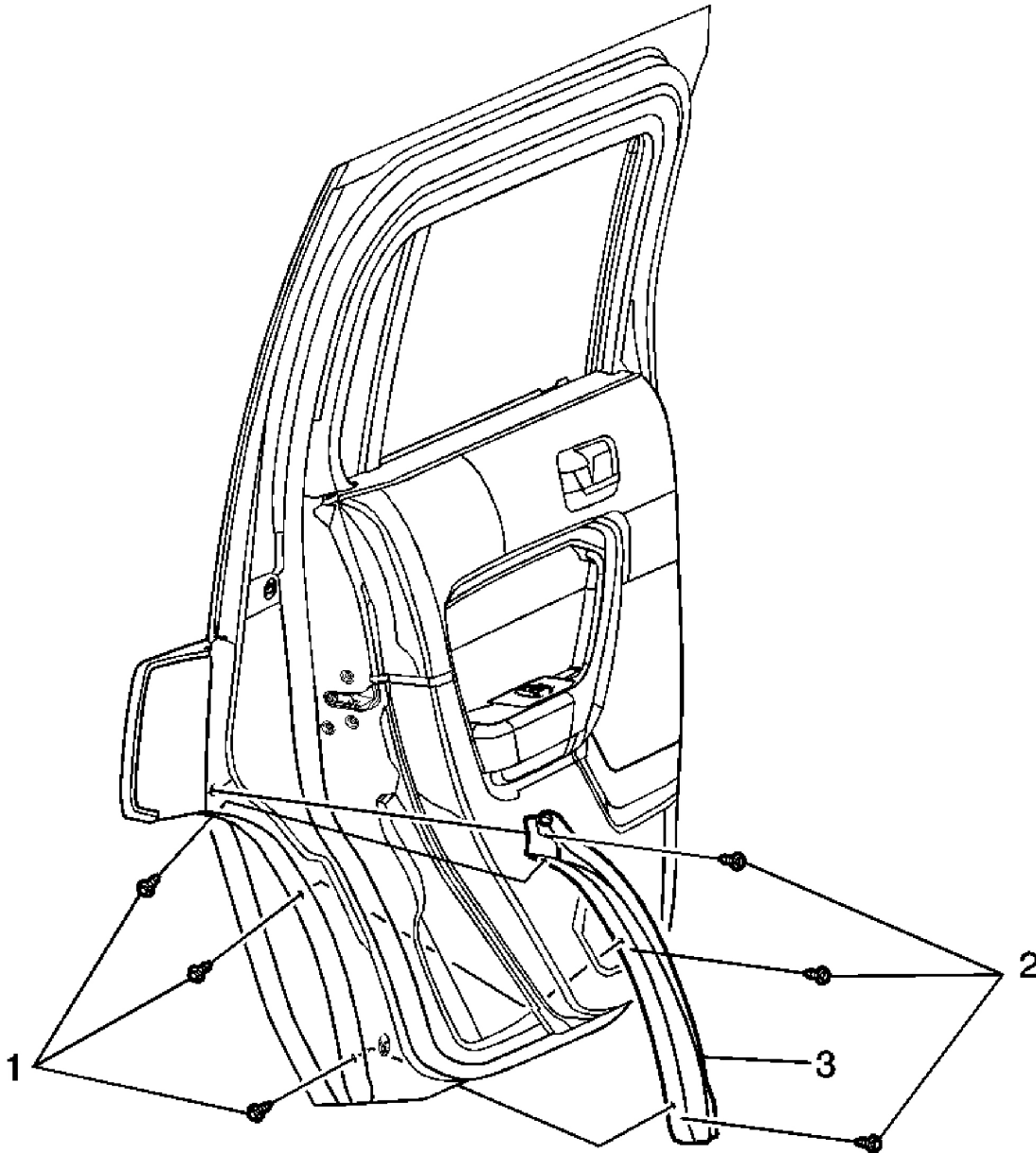


**Fig. 33: Rear Side Door Auxiliary Weatherstrip Replacement**  
 Courtesy of GENERAL MOTORS CORP.

**Rear Side Door Auxiliary Weatherstrip Replacement**

Callout	Component Name
<b>Fastener Tightening Specifications:</b> Refer to <u><b>Fastener Tightening Specifications</b></u> .	
1	Weatherstrip, Rear Door Auxiliary <b>Tip:</b> Pull the weatherstrip away from the flange to remove.

**REAR SIDE DOOR REAR AUXILIARY WEATHERSTRIP REPLACEMENT**



**Fig. 34: Rear Side Door Rear Auxiliary Weatherstrip Replacement**  
 Courtesy of GENERAL MOTORS CORP.

**Rear Side Door Rear Auxiliary Weatherstrip Replacement**

Callout	Component Name
<b>Fastener Tightening Specifications:</b> Refer to <u>Fastener Tightening Specifications</u> .	
	Retainer, Push-in (Qty: 3)

## 2007 Hummer H3

2007 ACCESSORIES & EQUIPMENT Bolted Exterior Body Panels and Closures - H3

1	<b>Tip:</b> Use a <b>J 38778</b> Door Trim Pad Clip Remover or equivalent to remove the retainers.
2	Retainer, Push-in (Qty: 3) <b>Tip:</b> Use a <b>J 38778</b> Door Trim Pad Clip Remover or equivalent to remove the retainers.
3	Weatherstrip, Rear Side Door - Rear Auxiliary